

DA-681C 系列

配備第 7 代 Intel® Core™ CPU、6 個千兆乙太網路連接埠和 12 個隔離串列埠並且符合 IEC-61850 標準的 1U 機架安裝電腦



特色與優點

- 符合 IEC 61850-3、IEEE 1613 及 IEC 60255 標準，適用於變電站自動化系統
- 符合 EN 50121-4 標準，適合鐵路軌旁應用
- 第 7 代 Intel® Core™ 處理器
- DDR4 記憶體插槽；容量可達 32GB
- 電源備援系統 (100 至 240 VAC/VDC)

認證



EN 50121-4



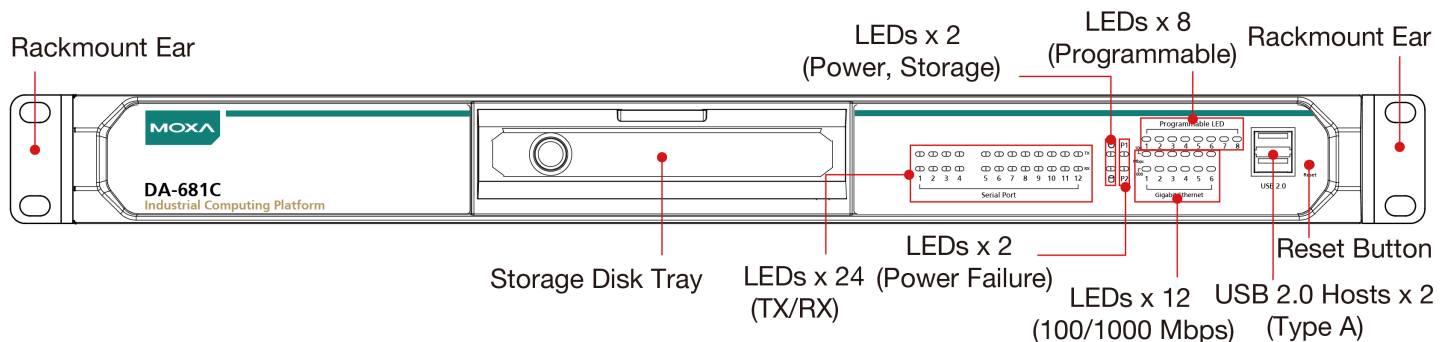
簡介

DA-681C 電腦搭載 Intel® Celeron® 或 Intel® Core™ i3 CPU，並配備雙顯示埠 (2 個 HDMI)、5 個 USB 連接埠、6 個千兆 LAN 連接埠、兩個三合一 RS-232/422/485 串列埠、10 個 RS-485 串列埠、6 個數位輸入埠，以及 2 個數位輸出埠。此外，還包含一個 2.5 吋硬碟 / 固態硬碟插槽和一個 mSATA 插槽，可為需要大量儲存空間進行邊緣資料擷取的工業應用擴充儲存容量。

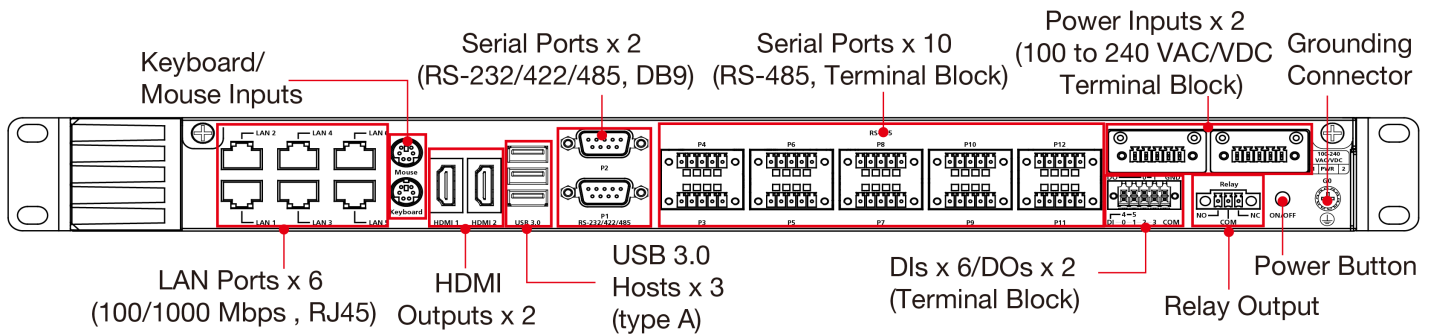
由於符合 IEC 61850-3 及 IEEE 1613 標準，DA-681C 無疑能夠為電力應用提供穩定可靠的系統運作。此外，DA-681C 符合 EN 50121-4 標準，因此能夠在軌道沿線應用中提供穩定可靠的系統運作，例如車站 SCADA 系統、鐵路沿線災難預防、牽引動力、訊號和安全系統，讓您完整掌握智慧型鐵道配置。

外觀

前視圖



後視圖



規格

Computer

| | |
|---------------------|--|
| CPU | Intel® Core™ i3-7100U Processor (2M Cache, 2.4 GHz) Intel® Celeron® 3965U Processor (2M Cache, 2.2 GHz) |
| System Memory Slot | SODIMM DDR4 slot x 2 |
| DRAM | 32 GB max. capacity (SODIMM x 2, each supporting 2400 MHz and 16 GB maximum per module) |
| Graphics Controller | Intel® HD Graphics 630 |
| Storage Slot | 2.5-inch HDD/SSD slots x 1 mSATA slots x 1 |
| Supported OS | Windows 10 Embedded IoT Ent 2019 LTSC 64-bit Linux Debian 9 Note: OS available by CTOS |

Computer Interface

| | |
|----------------|---|
| USB 2.0 | USB 2.0 hosts x 3, type-A connectors 2 ports on the front panel, 1 port inside the computer |
| USB 3.0 | USB 3.0 hosts x 3, type-A connectors 3 ports on the rear panel |
| Video Output | HDMI x 2, HDMI connector (type A) |
| Serial Ports | RS-232/422/485 ports x 2, software selectable (DB9 male) RS-485 ports x 10, software selectable (terminal block) |
| Ethernet Ports | Auto-sensing 10/100/1000 Mbps ports (RJ45 connector) x 6 |
| Secure Boot | UEFI |
| TPM | TPM v2.0 |

Digital Inputs

| | |
|-------------|-----------------------------------|
| Connector | Screw-fastened Euroblock terminal |
| I/O Mode | DI |
| Isolation | 3k VDC |
| Sensor Type | Dry contact Wet contact (NPN) |

| | |
|-------------------------|--|
| Dry Contact | Logic 0: Close to GND Logic 1: Open |
| Wet Contact (COM to DI) | Logic 0: 10 to 30 VDC Logic 1: 0 to 3 VDC |

Digital Outputs

| | |
|----------------|-----------------------------------|
| Connector | Screw-fastened Euroblock terminal |
| Current Rating | 200 mA per channel |
| I/O Type | Sink |
| Voltage | 0 to 30 VDC |
| Isolation | 3k VDC |

LED Indicators

| | |
|--------|--|
| System | Programmable x 8 Storage x 1 Power x 1 |
| LAN | 2 per port (10/100/1000 Mbps) |
| Serial | 2 per port (Tx, Rx) |

Serial Interface

| | |
|------------------|----------------------|
| Baudrate | 50 bps to 115.2 kbps |
| Connector | Terminal block |
| ESD | 8 kV (level 4) |
| Isolation | 2 kV |
| Serial Standards | RS-232/422/485 |
| Surge | 2 kV |

Serial Signals

| | |
|-----------|--|
| RS-232 | TxD, RxD, RTS, CTS, DTR, DSR, DCD, GND |
| RS-422 | Tx+, Tx-, Rx+, Rx-, GND |
| RS-485-2w | Data+, Data-, GND |

Power Parameters

| | |
|---------------|--|
| Input Current | 100 to 240 VAC, 50/60 Hz, 1.6 A (max) 100 to 240 VDC, 0.8 A (max) |
| Power Button | Reset button (front panel) ON/OFF (rear panel) |

Physical Characteristics

| | |
|---------------------------|---|
| Housing | Metal |
| Dimensions (without ears) | 440 x 316 x 44 mm (17.32 x 12.44 x 1.73 in) |
| Weight | 9,000 g (21.82 lb) |
| Installation | 19-inch rack mounting |

Environmental Limits

| | |
|--|----------------------------|
| Operating Temperature | -40 to 70°C (-40 to 158°F) |
| Storage Temperature (package included) | -40 to 85°C (-40 to 185°F) |
| Ambient Relative Humidity | 5 to 95% (non-condensing) |

Standards and Certifications

| | |
|------------------|--|
| EMC | EN 55032/35 |
| EMI | CISPR 32, FCC Part 15B Class A |
| EMS | IEC 61000-4-2 ESD: Contact: 8 kV; Air: 15 kV IEC 61000-4-3 RS: 80 MHz to 1 GHz: 10 V/m IEC 61000-4-4 EFT: Power: 4 kV; Signal: 4 kV IEC 61000-4-5 Surge: Power: 4 kV; Signal: 4 kV IEC 61000-4-6 CS: 10 V IEC 61000-4-8: 20 A/m IEC 61000-4-11 |
| Power Substation | IEC 61850-3 IEEE 1613 |
| Protection Relay | IEC 60255 |
| Shock | IEC 61850-3 Edition 2.0, IEC 60068-2-27, IEC 60255-21-2 |
| Safety | UL 62368-1 |

Declaration

| | |
|---------------|-------------------|
| Green Product | RoHS, CRoHS, WEEE |
|---------------|-------------------|

MTBF

| | |
|-----------|-----------------|
| Time | 285,419 hrs |
| Standards | Telcordia SR332 |

Warranty

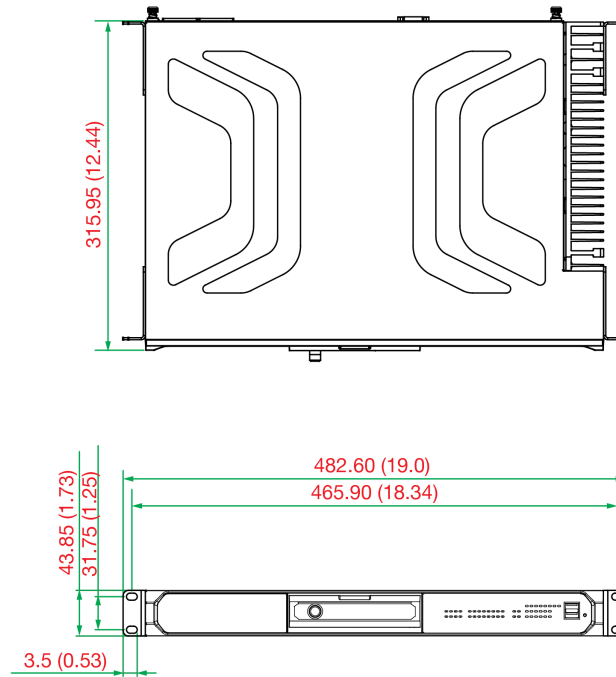
| | |
|-----------------|--|
| Warranty Period | 3 years |
| Details | See www.moxa.com/tw/warranty |

Package Contents

| | |
|------------------|---|
| Device | 1 x DA-681C Series computer |
| Installation Kit | 1 x rack-mounting ear |
| Documentation | 1 x quick installation guide 1 x warranty card |
| Note | This product requires additional modules (sold separately) to function. |

尺寸

單位：公釐（英吋）



訂購資訊

| Model Name | CPU | Power Input10100-240 VAC/VDC | Operating Temp. |
|------------------|-------------------------|------------------------------|-----------------|
| DA-681C-KL1-H-T | Intel® Celeron® R 3965U | Single | -40 to 70°C |
| DA-681C-KL1-HH-T | Intel® Celeron® R 3965U | Dual | -40 to 70°C |
| DA-681C-KL3-HH-T | Intel® Core™ i3-7100U | Dual | -40 to 70°C |

© Moxa Inc. 版權所有.2023 年 6 月 20 日更新。

未經 Moxa Inc. 明確書面許可，不得以任何方式複製或使用本文件及其任何部分。產品規格如有變更，恕不另行通知。請至本公司官網了解最新的產品資訊。