

# EDS-G2005-ELP 系列

## 塑膠外殼 5 埠入門級非網管型全 Gigabit 乙太網路交換器



### 特色與優點

- 全 Gigabit 乙太網路連接埠
- 尺寸小巧並容易安裝
- 支援 QoS 在高負荷流量中處理重要資料
- IP40 等級塑膠外殼

### 認證



## 簡介

EDS-G2005-ELP 系列工業級乙太網路交換器具有五個 Gigabit 乙太網路連接埠及塑膠外殼，非常適合需要簡單工業級乙太網路連線的應用。此外，為了針對不同產業的應用提供更多的彈性，EDS-G2005-ELP 系列允許使用者透過外部面板 DIP 開啟或停用服務品質功能 (QoS) 和廣播風暴防護 (BSP)。

EDS-G2005-ELP 系列具有 12/24/48 VDC 單電源輸入、DIN Rail 鋁軌安裝，以及高等級 EMI/EMC 防護能力。除了小巧的尺寸之外，EDS-G2005-ELP 系列也通過 100% 的高溫測試，確保在部署後能夠穩定運作。EDS-G2005-ELP 系列具有 -10 至 60°C 的標準操作溫度範圍。

## 規格

### Ethernet Interface

10/100/1000BaseT(X) Ports (RJ45 connector)	5 Full/Half duplex mode Auto MDI/MDI-X connection Auto negotiation speed
Standards	IEEE 802.3 for 10BaseT IEEE 802.3u for 100BaseT(X) IEEE 802.3ab for 1000BaseT(X) IEEE 802.3x for flow control IEEE 802.1p for Class of Service

### Switch Properties

Processing Type	Store and Forward
MAC Table Size	4 K
Packet Buffer Size	1.5 Mbits

### DIP Switch Configuration

Ethernet Interface	Quality of Service (QoS), Broadcast Storm Protection (BSP)
--------------------	--

### Power Parameters

Connection	1 removable 3-contact terminal block(s)
Input Current	0.21 A (max.)
Input Voltage	12/24/48 VDC

Operating Voltage	9.6 to 60 VDC
Overload Current Protection	Supported
Reverse Polarity Protection	Supported

#### Physical Characteristics

Dimensions	19 x 81 x 65 mm (0.75 x 3.19 x 2.56 in)
Installation	DIN-rail mounting Wall mounting (with optional kit)
Weight	90 g (0.2 lb)
Housing	Plastic

#### Environmental Limits

Ambient Relative Humidity	5 to 95% (non-condensing)
Operating Temperature	-10 to 60°C (14 to 140°F)
Storage Temperature (package included)	-40 to 85°C (-40 to 185°F)

#### Standards and Certifications

Safety	UL 61010-2-201 EN 62368-1 (LVD)
EMC	EN 55032/35 EN 61000-6-2/-6-4
EMI	CISPR 32, FCC Part 15B Class A
EMS	IEC 61000-4-2 ESD: Contact: 6 kV; Air: 8 kV IEC 61000-4-3 RS: 80 MHz to 1 GHz: 20 V/m IEC 61000-4-4 EFT: Power: 1 kV; Signal: 1 kV IEC 61000-4-5 Surge: Power: 1 kV; Signal: 1 kV IEC 61000-4-6 CS: 10 V IEC 61000-4-8 PFMF
Shock	IEC 60068-2-27
Vibration	IEC 60068-2-6
Freefall	IEC 60068-2-32

#### MTBF

Time	3,404,784 hrs
Standards	Telcordia (Bellcore), GB

#### Warranty

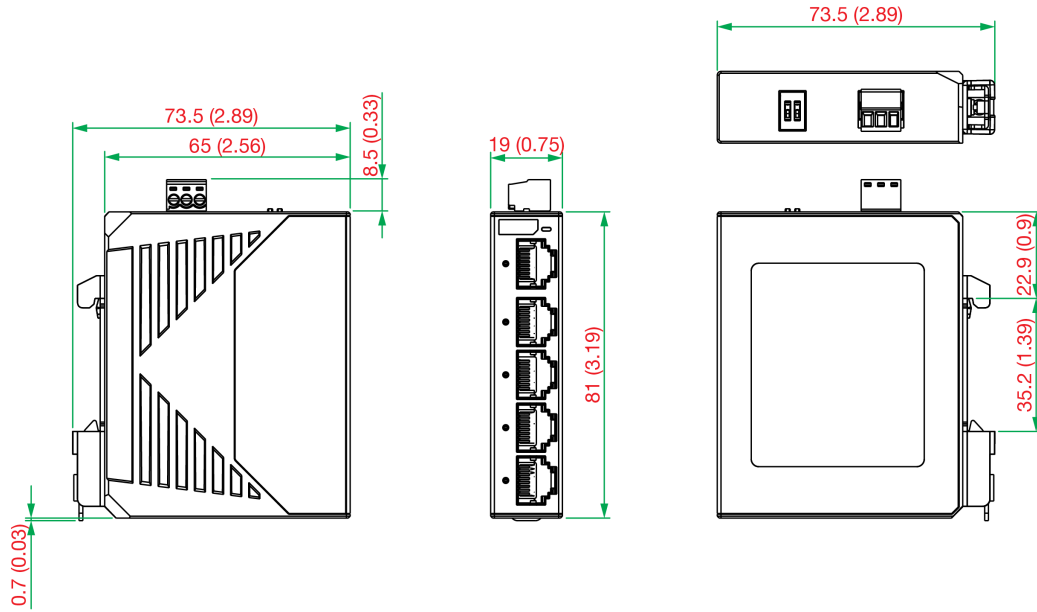
Warranty Period	5 years
Details	See <a href="http://www.moxa.com/tw/warranty">www.moxa.com/tw/warranty</a>

#### Package Contents

Device	1 x EDS-G2005-ELP Series switch
Documentation	1 x quick installation guide 1 x warranty card

# 尺寸

單位：公釐 (英吋)



## 訂購資訊

Model Name	10/100/1000BaseT(X) Ports (RJ45 Connector)	Housing	Operating Temp.
EDS-G2005-ELP	5	Plastic	-10 to 60°C

## 配件 (選購)

### Power Supplies

DR-4524	45W/2A DIN-rail 24 VDC power supply with universal 85 to 264 VAC or 120 to 370 VDC input, -10 to 50°C operating temperature
DR-75-48	75W/1.6A DIN-rail 48 VDC power supply with universal 85 to 264 VAC or 120 to 370 VDC input, -10 to 60°C operating temperature
DR-120-24	120W/2.5A DIN-rail 24 VDC power supply with universal 88 to 132 VAC or 176 to 264 VAC input by switch, or 248 to 370 VDC input, -10 to 60°C operating temperature
MDR-40-24	DIN-rail 24 VDC power supply with 40W/1.7A, 85 to 264 VAC, or 120 to 370 VDC input, -20 to 70°C operating temperature
MDR-60-24	DIN-rail 24 VDC power supply with 60W/2.5A, 85 to 264 VAC, or 120 to 370 VDC input, -20 to 70°C operating temperature

### Wall-Mounting Kits

WK-18	Wall-mounting kit, 1 plate (18 x 120 x 8.5 mm)
-------	--

### Rack-Mounting Kits

RK-4U	19-inch rack-mounting kit
-------	---------------------------

© Moxa Inc. 版權所有. 2023 年 2 月 01 日更新。

未經 Moxa Inc. 明確書面許可，不得以任何方式複製或使用本文件及其任何部分。產品規格如有變更，恕不另行通知。請至本公司官網了解最新的產品資訊。