

# EXPC-1519 系列

Zone 2 19 吋面板電腦，多種連接選擇



## 特色與優點

- 19 吋防刮材質並於陽光下可視面板，亮度可達 1000 尼特
- 高效能 Intel® 處理器、Intel® Core™ i7-3555LE 或 Intel® Celeron® 1047UE CPU
- 無風扇設計，在 70°C 環境下可提供高效的散熱功能
- 在 -40°C 沒有加熱器的情況下，可在 3 分鐘內啟動
- 多點觸控、戴手套亦可使用的觸控螢幕介面
- 纜線固定和標準 USB Type-A/RJ45 連接器設計
- 4 個 LAN 連接埠，帶有獨立 MAC；2 個 RJ45 和 2 個光纖 ST
- 完全密封的 IP66/NEMA 4X 機殼
- Class 1 Division 2、ATEX Zone 2 和 IECEx 認證
- 雙交流/直流電源供應
- 提供選購的WLAN與TPM模組

## 認證



## 簡介

EXPC-1519 面板電腦專為危險環境下的室內與戶外 Zone 2 應用所設計。EXPC-1519 系列配備第三代 Intel® Core™ i7-3555LE 2.5 Ghz 或是 Celeron 1047UE 1.4 Ghz 處理器以及高達 16 GB 記憶體，可提供高效能的處理。

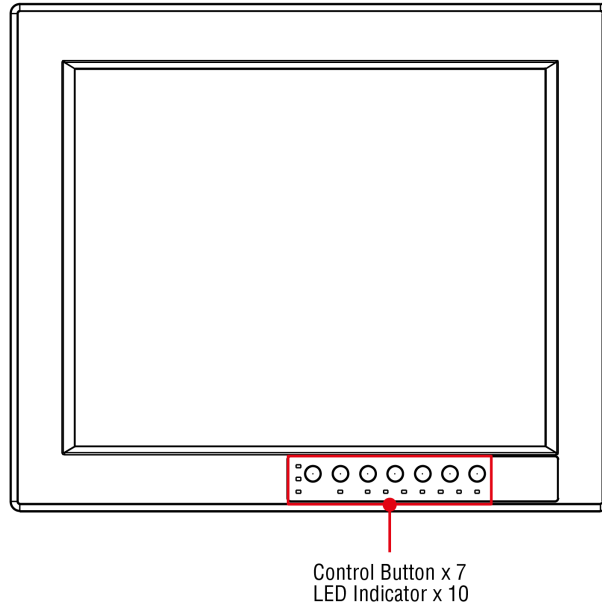
EXPC-1519 系列提供彈性的介面連接選擇，可符合您的應用需要：帶有纜線固定的標準連接器、帶有纜線固定的接線端子模組，以及底部面板的標準連接器。

EXPC-1519 電腦可支援較寬溫度範圍（-40 至 70°C）操作，配備獲得專利的無風扇流線型機殼設計，可提供高效的散熱功能，使其成為最可靠的工業平台之一，適用於石油和天然氣田和鑽探平台等惡劣、炎熱的室外環境。

此外，EXPC-1519 電腦配備有觸控式螢幕控制，擁有抗反射處理和 1000 尼特 LED 背光，使得它們即使在白天高峰時段也能夠輕鬆閱讀。

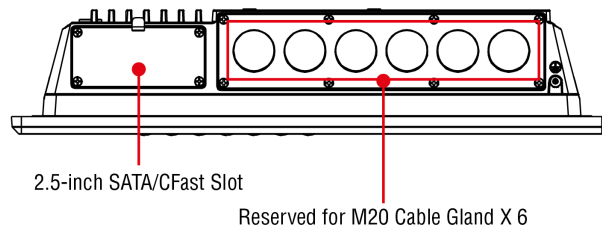
# 外觀

## 前視圖



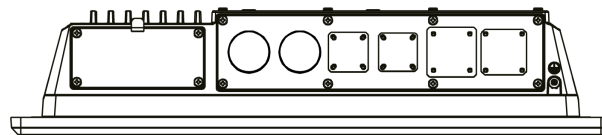
## 底視圖

( EXPC-1519-C1-S1-T、EXPC-1519-C7-S1-T、EXPC-1519-C1-S2-T、EXPC-1519-C7-S2-T )

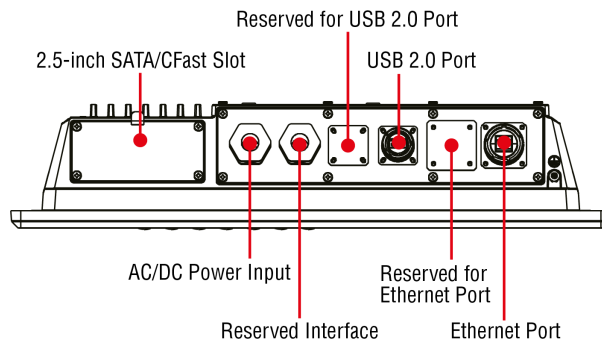


## 底視圖

( EXPC-1519-C1-S3-T、EXPC-1519-C7-S3-T )



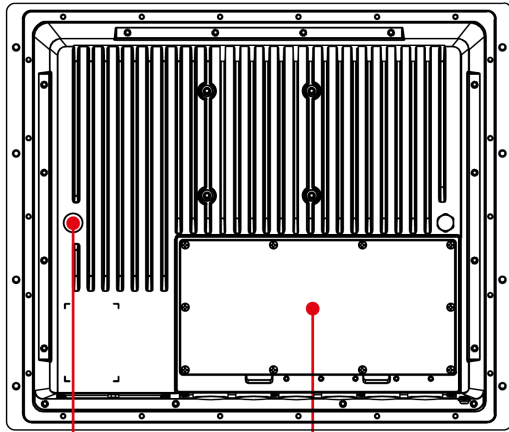
**Out-of-the-box view; connectors must be installed by the user**



**View with connectors installed**

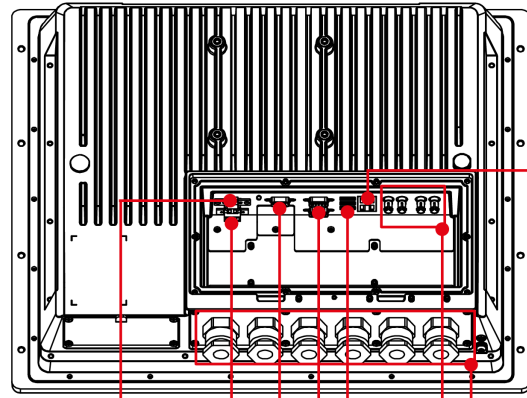
後視圖

( EXPC-1519-C1-S1-T 、 EXPC-1519-C7-S1-T )



Optional Antenna Port (N type)

Connector Panel



DC Input

VGA Port

USB 2.0 x 3

Optional M20  
Cable Glands

AC Input

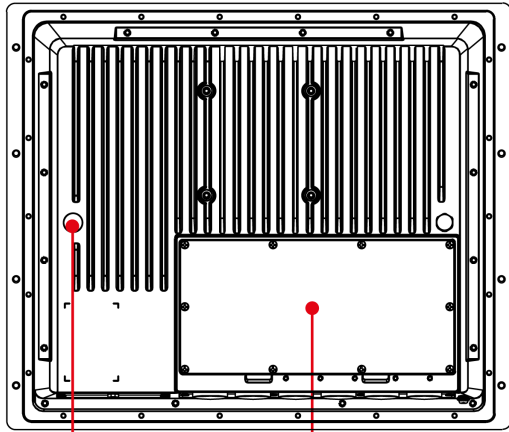
Serial Port x 2

Fiber Port x 2

Ethernet Port x 2

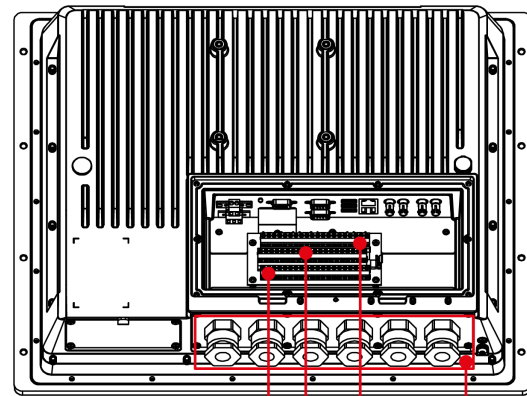
後視圖

( EXPC-1519-C1-S2-T 、 EXPC-1519-C7-S2-T )



Optional Antenna Port (N type)

Connector Panel



Serial Port x 2

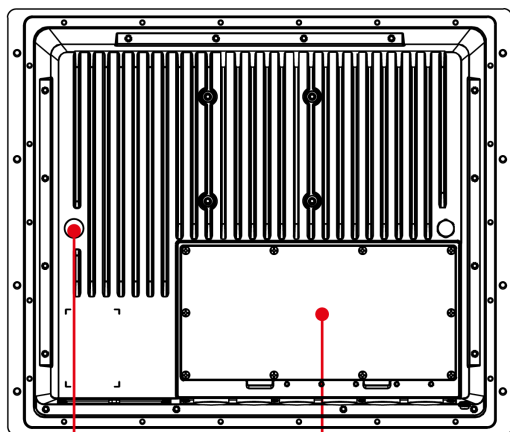
USB 2.0 x 4

Ethernet Port x 2

Optional M20 Cable Glands

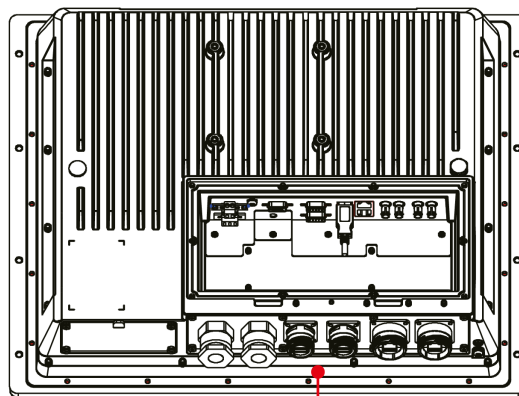
後視圖

( EXPC-1519-C1-S3-T 、 EXPC-1519-C7-S3-T )



Optional Antenna Port (N type)

Connector Panel



Connectors (must be installed by the user)

## 規格

### Computer

CPU	EXPC-1519-C1-x-T: Intel® Celeron® Processor 1047UE (2M Cache, 1.40 GHz) EXPC-1519-C7-x-T: Intel® Core™ i7-3555LE Processor (4M Cache, up to 3.20 GHz)
System Memory Pre-installed	4 GB DDR3/DDR3L
System Memory Slot	SODIMM DDR3/DDR3L slot x 2
Pre-installed OS	OS is not pre-installed
Supported OS	Windows 7 Pro for Embedded Systems Windows Embedded Standard 7 (WS7P) 64-bit Windows 10 Pro 64-bit Windows 10 Embedded IoT Ent 2016 LTSB High End EPKEA Windows 10 Embedded IoT Ent 2016 LTSB Value EPKEA
Storage Slot	2.5-inch SSD slot x 1 CFast slot x 1

### Computer Interface

Ethernet Ports	EXPC-1519-C1-S1-T/C1-S2-T/C7-S1-T/C7-S2-T: Auto-sensing 10/100/1000 Mbps ports (RJ45 connector) x 2 EXPC-1519-C1-S3-T/C7-S3-T: Auto-sensing 10/100/1000 Mbps ports (RJ45 connector) x 1
Serial Ports	EXPC-1519-C1-S1-T/C1-S2-T/C7-S1-T/C7-S2-T: RS-232/422/485 ports x 2, software-selectable (terminal block)
USB 2.0	EXPC-1519-C1-S1-T/C7-S1-T: USB 2.0 hosts x 3, type-A connectors EXPC-1519-C1-S2-T/C7-S2-T: USB 2.0 hosts x 4, type-A connectors EXPC-1519-C1-S3-T/C7-S3-T: USB 2.0 hosts x 1, type-A connectors
Video Output	EXPC-1519-C1-S1-T/C7-S1-T: VGA x 1, 15-pin D-sub connector (female)

### LED Indicators

System	Power x 1
--------	-----------

### Display

Active Display Area	376.32 (H) x 301.06 (V) mm
Aspect Ratio	5:4
Contrast Ratio	1000:1

Light Intensity (Brightness)	1000 cd/m <sup>2</sup>
Max. No. of Colors	16.7M (8-bit/color)
Panel Size	19-inch viewable image
Panel Type	TN
Pixel Pitch (RGB)	0.294 (H) x 0.294 (V) mm
Pixels	1280 x 1024
Response Time	5 ms (gray to gray)
Viewing Angles	170°/160°

#### Touch Function

Touch Type	Capacitive Touch (PCAP)
Touch Support Points	4 points
Glove Support	Yes

#### Serial Interface

Baudrate	50 bps to 115.2 kbps
Data Bits	5, 6, 7, 8
Flow Control	RTS/CTS, XON/XOFF, ADDC® (automatic data direction control) for RS-485, RTS Toggle (RS-232 only)
Parity	None, Even, Odd, Space, Mark
Stop Bits	1, 1.5, 2

#### Serial Signals

RS-232	TxD, RxD, RTS, CTS, DTR, DSR, DCD, GND
RS-422	Tx+, Tx-, Rx+, Rx-, GND
RS-485-2w	Data+, Data-, GND
RS-485-4w	Tx+, Tx-, Rx+, Rx-, GND

#### Power Parameters

Input Voltage	100 to 240 VAC, 24 VDC
---------------	------------------------

#### Physical Characteristics

Housing	Metal
Dimensions	483 x 408 x 99.5 mm (19.02 x 16.06 x 3.92 in)
Weight	12,700 g (28.00 lb)

#### Environmental Limits

Operating Temperature	-40 to 70°C (-40 to 158°F)
Storage Temperature (package included)	-40 to 70°C (-40 to 158°F)
Ambient Relative Humidity	5 to 95% (non-condensing)

## Standards and Certifications

EMC	EN 55032/24
EMI	CISPR 32, FCC Part 15B Class A
EMS	IEC 61000-4-2 ESD: Contact: 4 kV; Air: 8 kV IEC 61000-4-3 RS: 80 MHz to 1 GHz: 10 V/m IEC 61000-4-4 EFT: Power: 1 kV; Signal: 0.5 kV IEC 61000-4-5 Surge: Power: 2 kV; Signal: 1 kV IEC 61000-4-6 CS: 10 V IEC 61000-4-8 PFMF
Environmental Testing	IEC 60068-2-1, DNVGL-CG-0339 IEC 60068-2-2, DNVGL-CG-0339 IEC 60068-2-2, IEC 60945 IEC 60068-2-30, IEC 60945
Hazardous Locations	ATEX, Class I Division 2, IECEx
Safety	EN 60950-1, IEC 60950-1, UL 60950-1
Shock	IEC 60068-2-27
Vibration	IEC 60068-2-6, IEC 60068-2-6, IEC 60945, IEC 60068-2-64, DNVGL-CG-0339

## Declaration

Green Product	RoHS, CRoHS, WEEE
---------------	-------------------

## Warranty

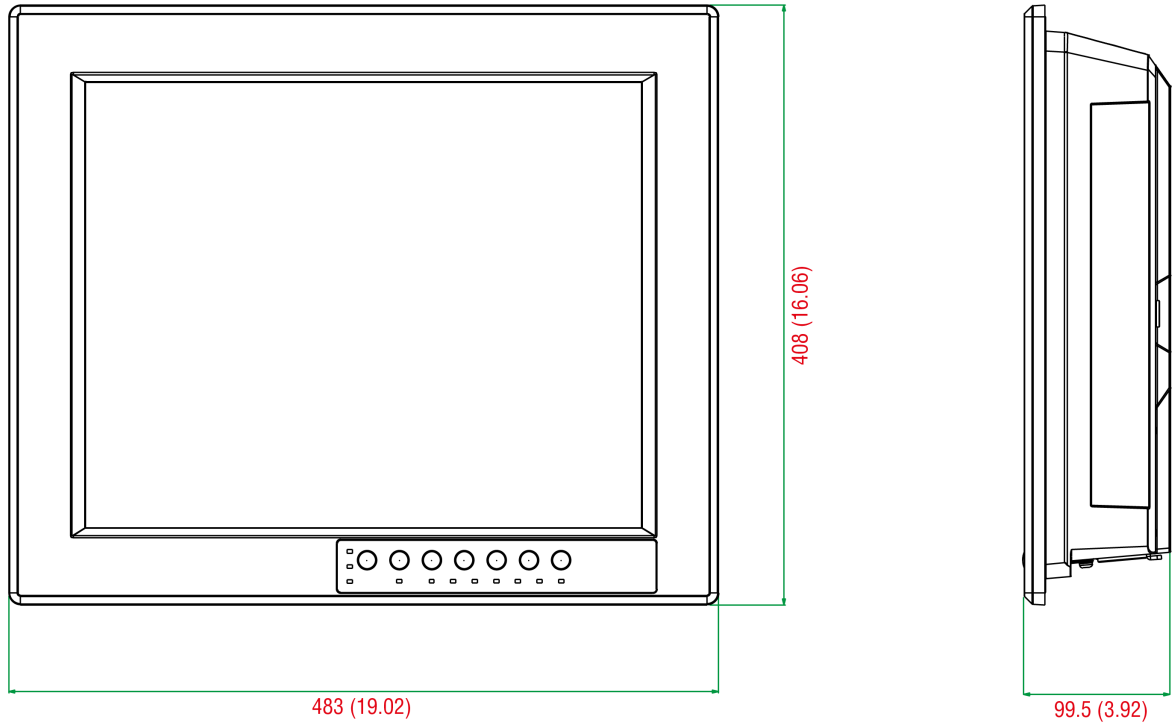
Warranty Period	LCD: 1 year System: 3 years
Details	See <a href="http://www.moxa.com/tw/warranty">www.moxa.com/tw/warranty</a>

## Package Contents

Device	1 x EXPC-1519 Series computer
Installation Kit	2 x cable gland connector 1 x connector, female, for RJ45 (EXPC-1519-C1-S3-T/C7-S3-T) 1 x connector, female, for USB (EXPC-1519-C1-S3-T/C7-S3-T) 1 x storage installation kit 1 x terminal block, 2-pin, for DC power input 1 x terminal block, 3-pin, for AC power input
Documentation	1 x quick installation guide 1 x warranty card

## 尺寸

單位：公釐 (英吋)



## 訂購資訊

Model Name	Panel	CPU	RAM	LAN	Serial	USB 2.0 Ports	Video Outputs	Interface	Power Input	IP Rating	Operating Temp.
EXPC-1519-C7-S1-T	19" (5:4) 1,000 nits	i7-3555LE	4 GB	2	2	2	1 x VGA	Cable gland, standard I/O	24 VDC 100-240 VAC	IP66 (completely sealed)	-40 to 70°C
EXPC-1519-C7-S2-T	19" (5:4) 1,000 nits	i7-3555LE	4 GB	2	2	4	1 x VGA	Cable gland, terminal block	24 VDC 100-240 VAC	IP66 (completely sealed)	-40 to 70°C
EXPC-1519-C7-S3-T	19" (5:4) 1,000 nits	i7-3555LE	4 GB	1	-	1	1 x VGA	Rugged connector	24 VDC 100-240 VAC	IP66 (completely sealed)	-40 to 70°C
EXPC-1519-C1-S1-T	19" (5:4) 1,000 nits	Celeron 1047UE	4 GB	2	2	2	1 x VGA	Cable gland, standard I/O	24 VDC 100-240 VAC	IP66 (completely sealed)	-40 to 70°C
EXPC-1519-C1-S2-T	19" (5:4) 1,000 nits	Celeron 1047UE	4 GB	2	2	4	1 x VGA	Cable gland, terminal block	24 VDC 100-240 VAC	IP66 (completely sealed)	-40 to 70°C
EXPC-1519-C1-S3-T	19" (5:4) 1,000 nits	Celeron 1047UE	4 GB	1	-	1	1 x VGA	Rugged connector	24 VDC 100-240 VAC	IP66 (completely sealed)	-40 to 70°C

## 配件 (選購)

### Panel Mounting Kits

EXPC-1519-PMTK	EXPC-1519 Panel Mounting Kit
EXPC-1519-handle	EXPC-1519 Handle Kit

### Desktop Mounting Kits

EXPC-1519-DMTK	EXPC-1519 Desktop Mounting kit
----------------	--------------------------------

## Wall-Mounting Kits

EXPC-1519-WMTK

EXPC-1519 Wall Mounting Kit

© Moxa Inc. 版權所有.2021 年 6 月 11 日更新。

未經 Moxa Inc. 明確書面許可，不得以任何方式複製或使用本文件及其任何部分。產品規格如有變更，恕不另行通知。請至本公司官網了解最新的產品資訊。