

ISD-1110-T/1130-T 系列

資料傳輸線突波保護器



特色與優點

- 隨插即用
- EN 61000-4-5 Level 4 串列資料傳輸線突波保護
- 支援 RS-232 或 RS-422/485
- 尺寸小巧並容易安裝
- 提供寬溫版本，適合 -40 至 85°C 的作業環境

認證



簡介

ISD-1110-T/1130-T 系列可針對串列資料傳輸線提供突波保護，避免對裝置造成損壞，例如數據機、傳真機、I/O 連接埠、終端機、儀器、集線器以及使用串列數據連接的任何其他裝置。ISD-1110-T/1130-T 可在以下各種串列連接中加入串列數據線保護：RS-232、RS-422 和 RS-485。

規格

Serial Interface

Connector	ISD-1110-T: DB9 male ISD-1130-T: Terminal block
Serial Standards	ISD-1110-T: RS-232 ISD-1130-T: RS-422, RS-485
Baudrate	50 bps to 921.6 kbps

Serial Signals

RS-232	TxD, RxD, RTS, CTS, DTR, DSR, DCD, GND
RS-422	Tx+, Tx-, Rx+, Rx-, GND
RS-485-4w	Tx+, Tx-, Rx+, Rx-, GND
RS-485-2w	Data+, Data-, GND

Physical Characteristics

Housing	Plastic
IP Rating	IP30
Dimensions	53 x 37 x 20.6 mm (2.01 x 1.46 x 0.81 in)
Weight	ISD-1110-T: Packaged: 119 g (0.26 lb) ISD-1130-T: Packaged: 96 g (0.21 lb) ISD-1110-T: Product only: 58 g (0.13 lb) ISD-1130-T: Product only: 30 g (0.07 lb)
Installation	Desktop

Environmental Limits

Operating Temperature	-40 to 85°C (-40 to 185°F)
Storage Temperature (package included)	-40 to 85°C (-40 to 185°F)
Ambient Relative Humidity	5 to 95% (non-condensing)

Standards and Certifications

EMS	IEC 61000-4-5 Surge: Signal: 4 kV
Environmental Testing	IEC 60068-2-1 IEC 60068-2-2 IEC 60068-2-3
Safety	EN 60950-1, IEC 60950-1
Vibration	IEC 60068-2-6

MTBF

Time	62,642,538 hrs
Standards	Telcordia (Bellcore), GB

Warranty

Warranty Period	5 years
Details	See www.moxa.com/tw/warranty

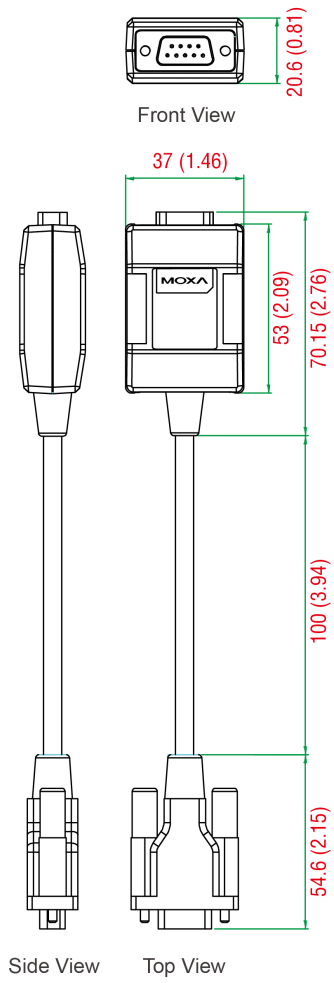
Package Contents

Device	1 x ISD-1110-T/1130-T Series surge protector
Documentation	1 x quick installation guide 1 x warranty card

尺寸

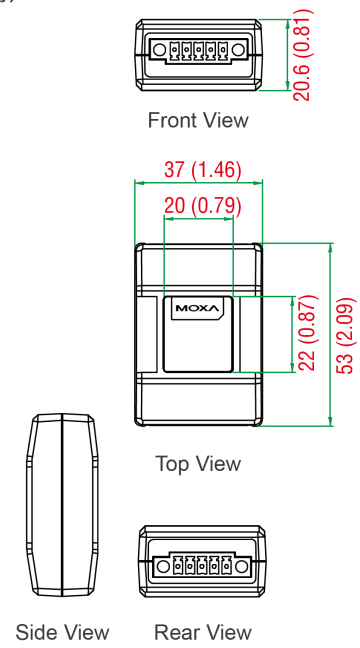
ISD-1110-T

單位：公釐 (英吋)



ISD-1130-T

單位：公釐 (英吋)



訂購資訊

Model Name	Serial Connector
ISD-1110-T	RS-232
ISD-1130-T	RS-422, RS-485

© Moxa Inc. 版權所有. 2018 年 11 月 12 日更新。

未經 Moxa Inc. 明確書面許可，不得以任何方式複製或使用本文件及其任何部分。產品規格如有變更，恕不另行通知。請至本公司官網了解最新的產品資訊。