

# The Security Hardening Guide for the MGate 5000 Series

Moxa Technical Support Team

[support@moxa.com](mailto:support@moxa.com)

## Contents

- 1 Introduction ..... 2
- 2 General System Information ..... 2
  - 2.1 Basic Information About the Device..... 2
  - 2.2 Deployment of the Device ..... 3
- 3 Configuration and Hardening Information..... 4
  - 3.1 TCP/UDP Ports and Recommended Services ..... 4
  - 3.2 HTTPS and SSL Certificates ..... 8
    - 3.2.1 Behavior of the SSL Certificate on an MGate Device..... 8
    - 3.2.2 MGate Self-signed Certificate ..... 9
    - 3.2.3 Importing a Third-party Trusted SSL Certificate ..... 9
  - 3.3 Account Management..... 10
  - 3.4 Accessible IP List..... 12
  - 3.5 Logging and Auditing ..... 14
  - 3.6 DoS Defense ..... 15
- 4 Patching/Upgrades ..... 15
  - 4.1 Patch Management Plan..... 15
  - 4.2 Firmware Upgrades..... 16
- 5 Security Information and Vulnerability Feedback..... 17

### About Moxa

Moxa is a leading provider of edge connectivity, industrial computing, and network infrastructure solutions for enabling connectivity for the Industrial Internet of Things (IIoT). With over 30 years of industry experience, Moxa has connected more than 71 million devices worldwide and has a distribution and service network that reaches customers in more than 80 countries. Moxa delivers lasting business value by empowering industries with reliable networks and sincere service. Information about Moxa’s solutions is available at [www.moxa.com](http://www.moxa.com).



# 1 Introduction

This document provides guidelines on how to configure and secure the MGate 5000 Series. The recommended steps in this document should be considered as best practices for security in most applications. It is highly recommended that you review and test the configurations thoroughly before implementing them in your production system in order to ensure that your application is not negatively impacted.

## 2 General System Information

### 2.1 Basic Information About the Device

Model	Function	Operating System	Firmware Version
MGate 5101 Series	PROFIBUS-to-Modbus TCP Gateway	Linux	v2.2
MGate 5102 Series	PROFIBUS-to-PROFINET Gateway	Linux	v2.3
MGate 5103 Series	Modbus RTU/ASCII/EtherNet/IP-to-PROFINET Gateway	Linux	v2.2
MGate 5105 Series	Modbus RTU/ASCII/TCP-to-EtherNet/IP Gateway	Linux	v4.3
MGate 5109 Series	Modbus RTU/ASCII/TCP-to-DNP3 serial/TCP Gateway	Linux	v2.3
MGate 5111 Series	Modbus/PROFINET/EtherNet/IP-to-PROFIBUS Gateway	Linux	v1.3
MGate 5114 Series	Modbus RTU/ASCII/TCP/IEC101-to-IEC104 Gateway	Linux	v1.3
MGate 5118 Series	CAN-J1939-to-Modbus/PROFINET/EtherNet/IP Gateway	Linux	v2.2
MGate W5108/W5208 Series	IEEE 802.11 a/b/g/n wireless Modbus/DNP3 Gateway	Linux	v2.4
MGate 5217 Series	Modbus-to-BACnet/IP gateway	Moxa Operating System	v1.2

The MGate 5000 Series is a protocol gateway specifically designed to allow industrial devices to be directly accessed from a network. Thus, legacy fieldbus devices can be transformed into different protocols, which can be monitored and controlled from any network location or even the Internet.

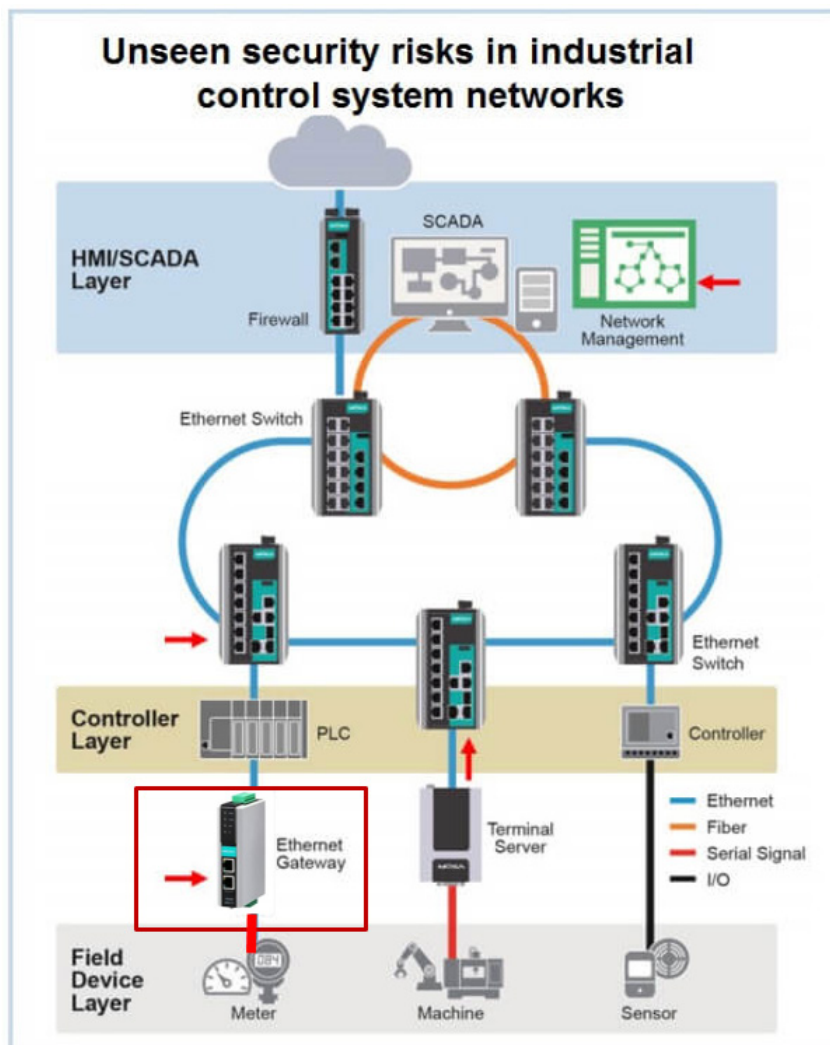
To harden the security of the operating system, the following open-source HTTPS libraries are included and periodically reviewed for cybersecurity enhancement.

- **Linux models:** openssl v1.1.1b
- **Moxa Operating System models:** mbed TLS v2.7.5

## 2.2 Deployment of the Device

You should deploy the MGate 5000 Series behind a secure firewall network that has sufficient security features in place to ensure that networks are safe from internal and external threats.

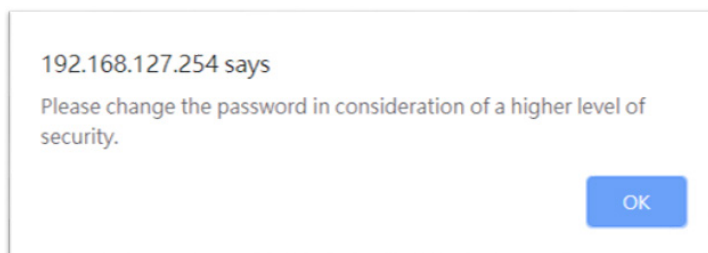
Make sure that the physical protection of the MGate devices and/or the system meets the security needs of your application. Depending on the environment and the threat situation, the form of protection can vary significantly.



### 3 Configuration and Hardening Information

For security reasons, account and password protection is enabled by default, so you must provide the correct account and password to unlock the device before entering the web console of the gateway.

The default account and password are **admin** and **moxa** (both in lowercase letters), respectively. Once you are successfully logged in, a pop-up notification will remind you to change the password to ensure a higher level of security.



#### 3.1 TCP/UDP Ports and Recommended Services

Please refer to the table below for all the ports, protocols, and services that are used to communicate between the MGate 5000 Series and other devices.

Service Name	Option	Default Settings	Type	Port Number	Description
DSCI (Moxa Command)	Enable/Disable	Enable	TCP	4900	For Moxa utility communication
			UDP	4800	
DNS client	Enable/Disable	Disable	UDP	53	Processing DNS and WINS (Client) data
SNMP agent	Enable/Disable	Enable	UDP	161	SNMP handling routine
HTTP server	Enable/Disable	Enable	TCP	80	Web console
HTTPS server	Enable/Disable	Enable	TCP	443	Secured web console
Telnet server	Enable/Disable	Disable	TCP	23	Telnet console
DHCP client	Enable/Disable	Disable	UDP	68	The DHCP client needs to acquire the system IP address from the server
Syslog client	Enable/Disable	Disable	UDP	514	Sending the system logs to the remote syslog server
Email client	Enable/Disable	Disable	TCP	25	Sending system/config event notifications
SNMP trap client	Enable/Disable	Disable	UDP	162	Sending system/config event notifications

Service Name	Option	Default Settings	Type	Port Number	Description
NTP client	Enable/Disable	Disable	UDP	123	Network time protocol to synchronize system time from the server
Modbus TCP client/server	Enable/Disable	Enable	TCP	502, 7502	502 for Modbus communication; 7502 for priority Modbus communication
EtherNet/IP	Enable/Disable	Enable	TCP, UDP	2222, 44818	2222 for EtherNet/IP implicit messaging 44818 for EtherNet/IP explicit messaging
PROFINET	Enable/Disable	Enable	UDP	34963	34963 for PROFINET protocol communication
DNP3	Enable/Disable	Enable	TCP, UDP	20000	20000 for DNP3 protocol communication
IEC-104	Enable/Disable	Enable	TCP	2404	2404 for IEC-104 protocol communication

For security reasons, you should consider disabling unused services. After initial setup, use services with stronger security for data communication. Refer to the table below for the suggested settings.

Service Name	Suggested Setting	Type	Port Number	Security Remark
DSCI (Moxa Command)	<b>Disable</b>	TCP	4900	Disable this service as it is not commonly used
		UDP	4800	
DNS client	<b>Disable</b>	UDP	53	Disable this service as it is not commonly used
SNMP agent	<b>Disable</b>	UDP	161	Managing the MGate via HTTPS console will be more secure
HTTP server	<b>Disable</b>	TCP	80	Disable HTTP to prevent plain text transmission
HTTPS server	<b>Enable</b>	TCP	443	Encrypted data channel with trusted certificate for MGate configuration
Telnet server	<b>Disable</b>	TCP	23	Disable this service as it is not commonly used
DHCP client	<b>Disable</b>	UDP	68	Assign an IP address manually for the device

Service Name	Suggested Setting	Type	Port Number	Security Remark
Syslog client	<b>Enable</b>	UDP	514	A service for sending important system events for a diagnosis of the MGate's status
Email client	<b>Enable</b>	TCP	25	A service for sending important system events for a diagnosis of the MGate's status
SNMP trap client	<b>Enable</b>	UDP	162	A service for sending important system events for a diagnosis of the MGate's status
NTP client	<b>Disable</b>	UDP	123	Disable this service as it is not commonly used
Modbus TCP client/server	<b>Enable</b>	TCP	502, 7502	Make sure you add your Modbus devices' IP addresses to the "Accessible IP list"
EtherNet/IP	<b>Enable</b>	TCP, UDP	2222, 44818	2222 for EtherNet/IP implicit messaging; 44818 for EtherNet/IP explicit messaging
PROFINET	<b>Enable</b>	UDP	34963	34963 for PROFINET protocol communication
DNP3	<b>Enable</b>	TCP, UDP	20000	20000 for DNP3 protocol communication
IEC-104	<b>Enable</b>	TCP	2404	2404 for IEC-104 protocol communication
BACnet/IP	<b>Enable</b>	UDP	47808	47808 for BACnet/IP protocol communication

For console services, we recommend the following:

HTTP	<b>Disable</b>
HTTPS	<b>Enable</b>
Telnet	<b>Disable</b>
Moxa Command	<b>Disable</b>

To enable or disable these services, log in to the HTTP/HTTPS console and select **System Management** → **Misc. Settings** → **Console Settings**.

### ⚙️ Console Settings

Configurations	
HTTP console	Disable ▾
HTTPS console	Enable ▾
Telnet console	Disable ▾
SSH console	Enable ▾
Serial console	Disable ▾
Reset button	Disable after 60 sec ▾
MOXA command	Disable ▾

To disable the SNMP agent service, log in to the HTTP/HTTPS console and select **System Management** → **SNMP Agent**, then select **Disable** for SNMP.

### ⚙️ SNMP Agent

SNMP Settings	
SNMP	Disable ▾
Contact	<input type="text"/>
Read community string	public
Write community string	private
SNMP agent version	V1, V2c, V3 ▾
Read-only username	router
Read-only authentication mode	Disable ▾
Read-only password	<input type="text"/>
Read-only privacy mode	Disable ▾
Read-only privacy	<input type="text"/>
Read/Write username	rwuser
Read/Write authentication mode	Disable ▾
Read/Write password	<input type="text"/>
Read/Write privacy mode	Disable ▾
Read/Write privacy	<input type="text"/>

To disable the NTP service, log in to the HTTP/HTTPS console, select **Basic Settings**, and keep the **Time server** setting empty. This will disable the NTP service.

Time Settings	
Time zone	(GMT-12:00)Eniwetok, Kwajalein ▾
Local time	2000 / 01 / 01 00 : 37 : 28 <input type="button" value="Modify"/>
Time server	<input type="text"/>

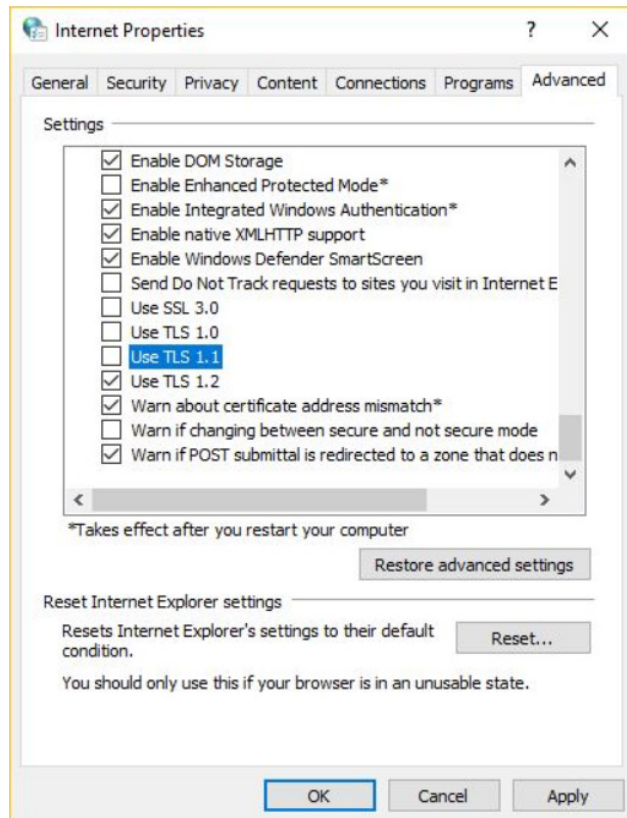
---

**Note** For each instruction above, click the **Submit** button to save your changes, then restart the MGate device so the new settings will take effect.

---

## 3.2 HTTPS and SSL Certificates

HTTPS is an encrypted communication channel. As TLS v1.1 or lower has severe vulnerabilities that can easily be hacked, MGate devices use TLS v1.2 for HTTPS to ensure data transmissions are secured. Make sure your browser has TLS v1.2 enabled.



In order to use the HTTPS console without a certificate warning appearing, you need to import a trusted certificate issued by a third-party certificate authority.

Log in to the HTTP/HTTPS console and select **System Management** → **Certificate**. You can generate an up-to-date valid certificate by importing a third-party trusted SSL certificate or generating the "MGate self-signed" certificate.

### 3.2.1 Behavior of the SSL Certificate on an MGate Device

MGate devices can auto-generate a self-signed SSL certificate. It is recommended that you import SSL certificates that are either certified by a trusted third-party Certificate Authority (CA) or by an organization's CA.

The length of the MGate device's self-signed private keys is 1,024 bits, which should be compatible with most applications. Some applications may need a longer key, such as 2,048 bits, which would require importing a third-party certificate. Please note that longer keys will mean browsing the web console will be slower due to the increased complexity of encrypting and decrypting communicated data.



### 3.2.2 MGate Self-signed Certificate

If a certificate has expired, you can regenerate the MGate self-signed certificate with the following steps.

**Step 1: Delete** the current SSL certificate issued by the MGate device.

**Step 2: Enable** the NTP server and set up the time zone and local time.

**Step 3:** After restarting the device, the MGate self-signed certificate will be regenerated with a new expiration date.

### 3.2.3 Importing a Third-party Trusted SSL Certificate

Importing the third-party trusted SSL certificate can improve security. To generate the SSL certificate through a third party, follow these steps:

**Step 1:** Create a certification authority (Root CA), such as Microsoft AD Certificate Service (<https://mizitechinfo.wordpress.com/2014/07/19/step-by-step-installing-certificate-authority-on-windows-server-2012-r2/>)

**Step 2:** Find a tool to issue a certificate signing request (CSR) file. You can get one from a third-party CA company such as DigiCert (<https://www.digicert.com/easy-csr/openssl.htm>).

**Step 3:** Submit the CSR file to a public certification authority to get a signed certificate.

**Step 4:** Import the certificate to the MGate device. Please note that MGate devices only accept certificates using a ".pem" format.

---

**Note** The maximum supported key length for MGate devices is 2,048 bits.

---

## Certificate

### Certificate Settings

Issued to	10.144.8.226
Issued by	10.144.8.226
Valid	from 2000/3/4 to 2020/3/4

Select SSL certificate file

Choose File

No file chosen

Import

Delete SSL certificate file

Delete



Here are some well-known third-party CA (Certificate Authority) companies for your reference ([https://en.wikipedia.org/wiki/Certificate\\_authority](https://en.wikipedia.org/wiki/Certificate_authority)):

- IdenTrust (<https://www.identrust.com/>)
- DigiCert (<https://www.digicert.com/>)
- Comodo Cybersecurity (<https://www.comodo.com/>)
- GoDaddy (<https://www.godaddy.com/>)
- Verisign (<https://www.verisign.com/>)

### 3.3 Account Management

The MGate 5000 Series provides two different user levels, admin and user, with a maximum of 16 accounts. With an administrator account, you can access and modify all settings through the web console. With the user account, you can only view settings.

The default administrator account is **admin**, with the default password **moxa**. To manage accounts, log in to the web console and select **System Management → Misc. Settings → Account Management**. To change the password of an existing account, double-click the name of the account. You can change the password on the page that opens.

#### Account Management

Account Settings

+ Add
Edit
Delete

Account Name	Group
admin	admin

To add a new account, log in to the HTTP/HTTPS console and select **System Management** → **Misc. Settings** → **Account Management**. Click the **Add** button, then fill in the **Account name**, **User level**, **New password**, and **Retype password** to generate a new account.

## Account Management

Account Settings	
Account name :	<input type="text"/>
User level :	admin ▼
New password :	<input type="text"/>
Retype password :	<input type="text"/>

**Note** We suggest you manage your device with another “administrator level” account instead of using the default “admin” account, as it is commonly used by embedded systems. Once the new administrator level account has been created, it is suggested that the original “admin” account should be monitored for security reasons to prevent brute-force attacks.

To improve security, the login password policy and account login failure lockout can be configured. To configure them, log in to the HTTP/HTTPS console and select **System Management** → **Misc. Settings** → **Login Password Policy**.

## Login Password Policy

Account Password Policy	
Minimum length	<input type="text" value="4"/> (4 ~ 16)
<input checked="" type="checkbox"/> Enable password complexity strength check	
<input checked="" type="checkbox"/> At least one digit(0~9)	
<input checked="" type="checkbox"/> Mixed upper and lower case letters(A~Z, a~z)	
<input checked="" type="checkbox"/> At least one special character: ~!@#%&^&*-_!;:.,<>[]{}()	
<input checked="" type="checkbox"/> Password lifetime	<input type="text" value="90"/> (90 ~ 180 days)
Account Login Failure Lockout	
<input checked="" type="checkbox"/> Enable	
Retry failure threshold	<input type="text" value="5"/> (1 ~ 10 time)
Lockout time	<input type="text" value="5"/> (1 ~ 60 min)

You should adjust the password policy to require more complex passwords. For example, set the **Minimum length** to 16, enable all password complexity strength checks, and enable the **Password lifetime** options. Also, to avoid brute-force attack, it’s suggested that you enable the **Account login failure lockout** feature.

For some system security requirements, a warning message may need to be displayed to all users attempting to log in to the device. To add a login message, log in to the HTTP/HTTPS console and select **System Management** → **Misc. Settings** → **Notification Message**, and enter a **Login Message** to use.

**Notification Message**

Notification Message Settings

Login message 0 character/maximum 240 character

Login authentication failure message 111 character/maximum 240 character

### 3.4 Accessible IP List

The MGate 5000 Series can limit access to specific host IP addresses to prevent unauthorized access to the gateway. If a host’s IP address is in the accessible IP list, then the host will be allowed to access the MGate 5000 Series. To configure this, log in to the HTTP/HTTPS console and select **System Management** → **Accessible IP List**. The different restrictions are listed in the table below (the checkbox **Apply additional restrictions** can only be activated if **Activate the accessible IP list** is activated).

#### Accessible IP List

- Activate the accessible IP list (Protocol communications are NOT allowed for the IPs NOT on the list)
- Apply additional restrictions (All device services are NOT allowed for the IPs NOT on the list)

Index	Active	IP	NetMask
1	<input type="checkbox"/>	<input type="text"/>	<input type="text"/>
2	<input type="checkbox"/>	<input type="text"/>	<input type="text"/>
3	<input type="checkbox"/>	<input type="text"/>	<input type="text"/>
4	<input type="checkbox"/>	<input type="text"/>	<input type="text"/>
5	<input type="checkbox"/>	<input type="text"/>	<input type="text"/>
6	<input type="checkbox"/>	<input type="text"/>	<input type="text"/>
7	<input type="checkbox"/>	<input type="text"/>	<input type="text"/>
8	<input type="checkbox"/>	<input type="text"/>	<input type="text"/>
9	<input type="checkbox"/>	<input type="text"/>	<input type="text"/>
10	<input type="checkbox"/>	<input type="text"/>	<input type="text"/>

Activate the accessible IP list	Apply additional restrictions	IP is in the list and Active is checked	IP is not in the list OR Active is not checked
✓	-	All protocol communication and services* are allowed for the IP.	Protocol communication is not allowed, but services* are still allowed for the IP.
✓	✓	All protocol communication and services* are allowed for the IP.	All services* are not allowed for the IP.

\*HTTP, HTTPS, TELNET, SSL, SNMP, SMTP, DNS, NTP, DSU

You may add a specific address or range of addresses by using a combination of an IP address and a netmask as follows:

- To allow access to a specific IP address: Enter the IP address in the corresponding field, then enter 255.255.255.255 for the netmask.
- To allow access to hosts on a specific subnet: For both the IP address and netmask, use 0 for the last digit (e.g., "192.168.1.0" and "255.255.255.0").
- To allow access to all IP addresses: Make sure that Enable the checkbox for the accessible IP list is not checked.

Additional configuration examples are shown in the following table:

Desired IP Range	IP Address	Netmask
Any host	Disable	Enable
192.168.1.120	192.168.1.120	255.255.255.255
192.168.1.1 to 192.168.1.254	192.168.1.0	255.255.255.0
192.168.1.1 to 192.168.255.254	192.168.0.0	255.255.0.0
192.168.1.1 to 192.168.1.126	192.168.1.0	255.255.255.128
192.168.1.129 to 192.168.1.254	192.168.1.128	255.255.255.128



**WARNING**

Ensure that the IP address of the PC you are using to access the web console is in the Accessible IP List. If your PC's IP address is not listed in the Accessible IP list, your PC will not be able to access the MGate.

### 3.5 Logging and Auditing

These are the events that will be recorded by the MGate 5000 Series. The SD card access failure event and protocol events vary for the different MGate 5000 models.

Event Group	Summary
System	System cold start, system warm start, SD card access failure
Network	DHCP/BOOTP gets IP/renew, NTP connect failed, IP conflict, Network link down
Configuration	Login failed, IP changed, Password changed, Firmware upgraded, SSL Certificate imported, Configuration imported/exported, Configuration changed, Clear event logged
Protocol	Protocol communication logs

To configure this setting, log in to the HTTP/HTTPS console and select **System Management** → **System Log Settings**. Then, enable the **Local Log** for recording on the MGate 5000 device and/or **Syslog** for keeping records on a server. You should enable system log settings to record all important system events to monitor device status and check for security issues.

#### System Log Settings

Event Group	Syslog	Local Log	Summary
System	<input checked="" type="checkbox"/>	<input checked="" type="checkbox"/>	System cold start, System warm start, SD card access failure
Network	<input checked="" type="checkbox"/>	<input checked="" type="checkbox"/>	DHCP/BOOTP get IP/renew, NTP connect fail, IP conflict, Network link down
Configuration	<input checked="" type="checkbox"/>	<input checked="" type="checkbox"/>	Login fail, IP changed, Password changed, Firmware upgrade, SSL certificate import, Config import, Config export, Configuration change, Clear event log
EtherNet/IP	<input checked="" type="checkbox"/>	<input checked="" type="checkbox"/>	EtherNet/IP communication logs
Modbus TCP	<input checked="" type="checkbox"/>	<input checked="" type="checkbox"/>	Modbus TCP communication logs
Azure	<input checked="" type="checkbox"/>	<input checked="" type="checkbox"/>	Azure communication logs
MQTT JSON	<input checked="" type="checkbox"/>	<input checked="" type="checkbox"/>	MQTT JSON communication logs
MQTT Raw	<input checked="" type="checkbox"/>	<input checked="" type="checkbox"/>	MQTT Raw communication logs
Alibaba Cloud	<input checked="" type="checkbox"/>	<input checked="" type="checkbox"/>	Alibaba Cloud communication logs

#### Local Log Settings

Enable log capacity warning at  (%)

Warning by:  SNMP Trap  E-mail

Event log oversize action :

#### Syslog Settings

Syslog server IP

Syslog server port

To view events in the system log, log in to the HTTP/HTTPS console and select **System Monitoring → System Log**.

⚙️ **System Log**

System Log

Export
Clear log
Refresh

### 3.6 DoS Defense

You can enable and configure a number of features to enable DoS Defense in order to protect against denial-of-service (DoS) attacks.

---

**Note** This function is not supported in the MGate 5217 Series.

---

⚙️ **DoS Defense**

Configuration

Null Scan	<input checked="" type="checkbox"/>
NMAP-Xmas Scan	<input checked="" type="checkbox"/>
SYN/FIN Scan	<input checked="" type="checkbox"/>
FIN Scan	<input checked="" type="checkbox"/>
NMAP-ID Scan	<input checked="" type="checkbox"/>

SYN-Flood

Enable	<input checked="" type="checkbox"/>
Limit	<input type="text" value="4000"/> (pkt/s)

ICMP-Death

Enable	<input checked="" type="checkbox"/>
Limit	<input type="text" value="4000"/> (pkt/s)

Submit

## 4 Patching/Upgrades

### 4.1 Patch Management Plan

For patch management, Moxa generally releases version enhancements with thorough release notes annually.

## 4.2 Firmware Upgrades

The process for upgrading firmware is as follows:

1. Download the latest firmware for your MGate device from the Moxa website:

➤ **MGate 5101 Series:**

<https://www.moxa.com/en/products/industrial-edge-connectivity/protocol-gateways/modbus-tcp-gateways/mgate-5101-pbm-mn-series#resources>

➤ **MGate 5102 Series:**

<https://www.moxa.com/en/products/industrial-edge-connectivity/protocol-gateways/profinet-gateways/mgate-5102-pbm-pn-series>

➤ **MGate 5103 Series:**

<https://www.moxa.com/en/products/industrial-edge-connectivity/protocol-gateways/modbus-tcp-gateways/mgate-5103-series#resources>

➤ **MGate 5105 Series:**

<https://www.moxa.com/en/products/industrial-edge-connectivity/protocol-gateways/modbus-tcp-gateways/mgate-5105-mb-eip-series#resources>

➤ **MGate 5109 Series:**

<https://www.moxa.com/en/products/industrial-edge-connectivity/protocol-gateways/modbus-tcp-gateways/mgate-5109-series#resources>

➤ **MGate 5111 Series:**

<https://www.moxa.com/en/products/industrial-edge-connectivity/protocol-gateways/modbus-tcp-gateways/mgate-5111-series#resources>

➤ **MGate 5114 Series:**

<https://www.moxa.com/en/products/industrial-edge-connectivity/protocol-gateways/modbus-tcp-gateways/mgate-5114-series#resources>

➤ **MGate 5118 Series:**

<https://www.moxa.com/en/products/industrial-edge-connectivity/protocol-gateways/modbus-tcp-gateways/mgate-5118-series#resources>

➤ **MGate W5108/W5208 Series:**

<https://www.moxa.com/en/products/industrial-edge-connectivity/protocol-gateways/modbus-tcp-gateways/mgate-w5108-w5208-series#resources>

➤ **MGate 5217I Series:**

<https://www.moxa.com/en/products/industrial-edge-connectivity/protocol-gateways/modbus-tcp-gateways/mgate-5217-series#resources>



- Log in to the HTTP/HTTPS console and select **System Management → Maintenance → Firmware Upgrade**. Click the **Choose File** button to select the proper firmware and click **Submit** to upgrade the firmware.

### ⚙️ Firmware Upgrade

!!! Warning !!!

Note: Firmware upgrade will discard your un-saved configuration changes and restart the system!

Select firmware file

Choose File | No file chosen

Submit

- If you want to upgrade the firmware for multiple units, then download the utility Device Search Utility (DSU) or MXconfig for a GUI interface, or the Moxa CLI Configuration Tool for a CLI interface.

FILTER Operating System

All Driver Firmware Library Software Package **Utility**

NAME	TYPE	VERSION	OPERATING SYSTEM	RELEASE DATE
Device Search Utility 1.1 MB	Utility	v2.3	- Windows 10 - Windows 2000 - Windows 7 <a href="#">Show More</a>	Sep 01, 2019 <a href="#">Release notes</a>
Moxa CLI Configuration Tool for Linux 8.1 MB	Utility	v1.1	- Linux Kernel 2.6.x - Linux Kernel 3.x - Linux Kernel 4.x	Jan 17, 2019 <a href="#">Release notes</a>
Moxa CLI Configuration Tool for Windows 1.4 MB	Utility	v1.1	- Windows 10 - Windows 7 - Windows 8 <a href="#">Show More</a>	Jan 16, 2019 <a href="#">Release notes</a>
PComm Lite - Serial Communication Tool for Windows 1.6 MB	Utility	v1.6	- Windows 2000 - Windows 7 - Windows Server 2003 <a href="#">Show More</a>	May 13, 2012 <a href="#">Release notes</a>
MXconfig 118.1 MB	Software Package	v2.6	- Windows 10 - Windows 7 - Windows 8 <a href="#">Show More</a>	May 29, 2020 <a href="#">Release notes</a>

## 5 Security Information and Vulnerability Feedback

As the adoption of the Industrial IoT (IIoT) continues to grow rapidly, security has become one of our top priorities. The Moxa Cyber Security Response Team (CSRT) takes a proactive approach to protect our products from security vulnerabilities and help our customers better manage security risks.

You can find the latest Moxa security information here:

<https://www.moxa.com/en/support/product-support/security-advisory>