

# RKP-C110 系列

配備第 11 代 Intel® Core™ Tiger Lake 處理器基本型號和多介面型號的機架式電腦



## 特色與優點

- 1U無風扇機架式電腦
- 第 11 代 Intel® Celeron® 或 Intel® Core™ i5 或 i7 處理器
- 豐富的介面選項，支援最多 12 個 LAN 連接埠和最多 10 個串列埠
- 適合大多數現場應用的標準外形尺寸
- 統一的前面板連接設計，易於介面存取
- -30 至 60°C 工作溫度範圍

## 認證



## 簡介

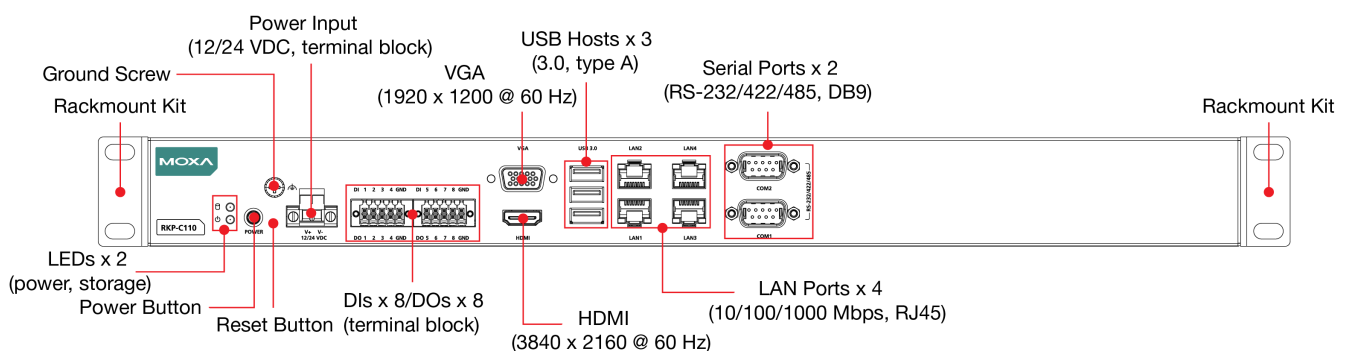
RKP-C110 機架式電腦由第 11 代 Intel® Celeron® 或 Intel® Core™ i5 或 i7 處理器驅動。此電腦配備了豐富的介面選項，包括多達 12 個 Gigabit 乙太網路連接埠、10 個軟體可選的 RS-232/422/485 串列埠以及 8 個數位輸入和 8 個數位輸出。通訊介面均位於前面板，方便工業應用的存取和擴充。兩個手動轉動的 2.5 吋 SSD 儲存和可外部更換的 RTC 電池設計，使之成為可靠、耐用且多用途的平台，對用戶來說是更易於使用的選擇。

RKP-C110 電腦有著 1U 標準外型及無風扇設計，工作溫度範圍為 -30 至 60°C，並內建 TPM 2.0 模組，RKP-C110 是適用於工業應用和極端環境中可靠又安全的理想電腦選擇。

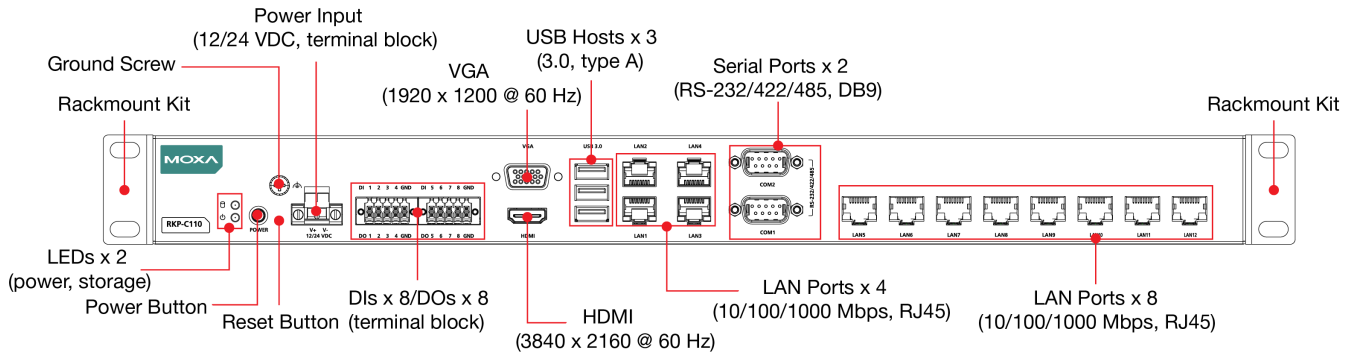
## 外觀

### 前視圖

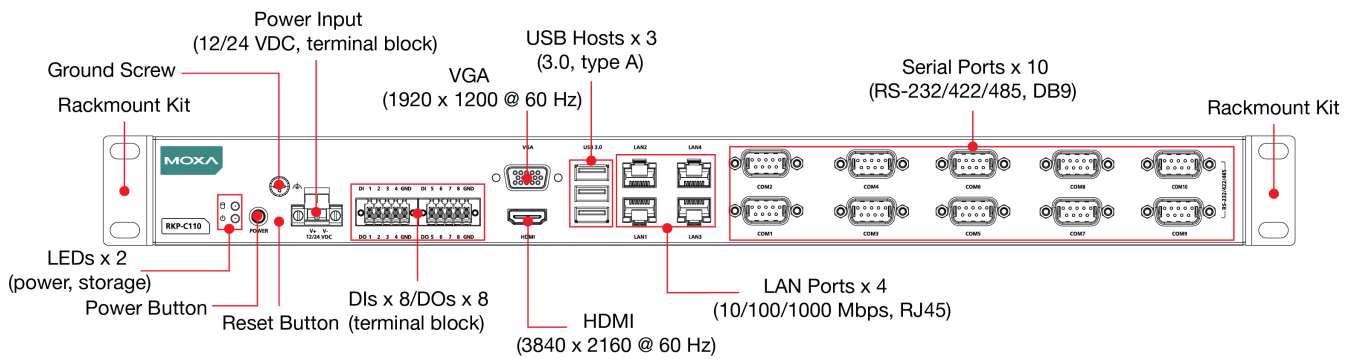
### RKP-C110-C1-T/C5-T/C7-T/C1-T-Win10/C5-T-Win10/C7-T-Win10 型號



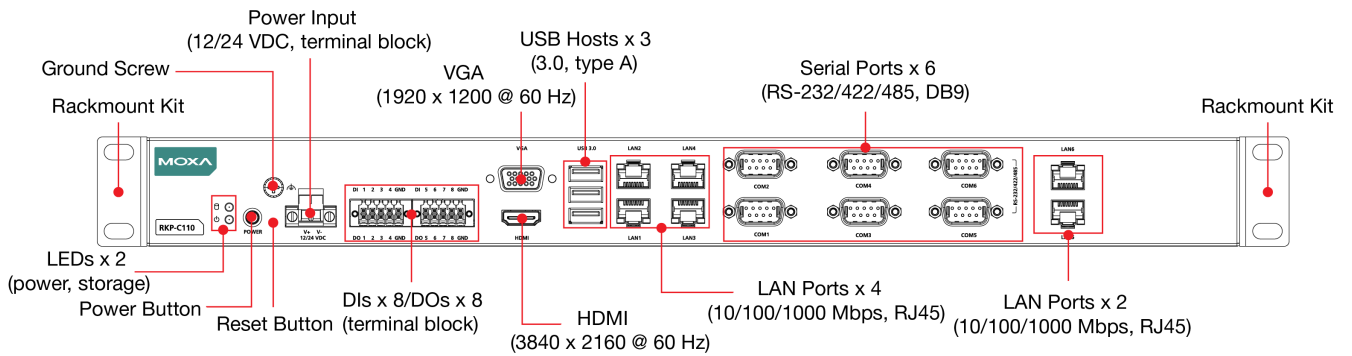
### RKP-C110-C1-8L-T/C5-8L-T/C7-8L-T 型號



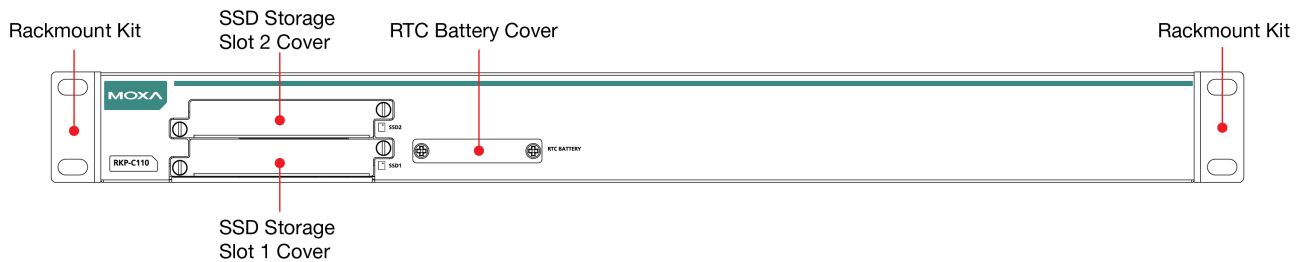
### RKP-C110-C1-8C-T/C5-8C-T/C7-8C-T 型號



### RKP-C110-C1-2L4C-T/C5-2L4C-T/C7-2L4C-T 型號



### 後視圖



## 規格

### Computer

CPU	RKP-C110-C1 Series: Intel® Celeron® 6305E "(Dual core, 4M cache, 1.80 GHz) RKP-C110-C5 Series: Intel® Core™ Processor i5-1145G7E (Quad core, 8M cache, 2.60 GHz, Base:1.50 GHz) RKP-C110-C7 Series: Intel® Core™ Processor i7-1185G7E (Quad core, 12M cache, 2.80 GHz, Base:1.80 GHz)
System Memory Slot	SODIMM DDR4 slots x 1, up to 32 GB max.
System Memory Pre-installed	8 GB DDR4
Storage Slot	2.5-inch SSD slots x 2 (SATAIII interface) RAID 0/1 support
Storage Pre-installed	8 GB
Supported OS	Windows Images and Drivers Supported: - Windows 10 IoT Ent LTSC 2021 64-bit - Windows 11 Professional 64-bit  Linux Drivers Supported: - Debian 11 (Kernel 5.10) - Ubuntu 22.04 LTS (Kernel 5.15) - RHEL 9 (Kernel 5.14)
Graphics Controller	Intel® UHD Graphics

### Computer Interface

Ethernet Ports	RKP-C110-C1-8L-T/C5-8L-T/C7-8L-T Models: Auto-sensing 10/100/1000 Mbps ports (RJ45 connector) x 12 RKP-C110-C1-2L4C-T/C5-2L4C-T/C7-2L4C-T Models: Auto-sensing 10/100/1000 Mbps ports (RJ45 connector) x 6 All Other Models: Auto-sensing 10/100/1000 Mbps ports (RJ45 connector) x 4
Serial Ports	RKP-C110-C1-8C-T/C5-8C-T/C7-8C-T Models: RS-232/422/485 ports x 10, software selectable (DB9 male) RKP-C110-C1-2L4C-T/C5-2L4C-T/C7-2L4C-T Models: RS-232/422/485 ports x 6, software selectable (DB9 male) All Other Models: RS-232/422/485 ports x 2, software selectable (DB9 male)
USB 3.0	USB 3.0 hosts x 3, type-A connectors
Digital Input	DIs x 8
Digital Output	DOs x 8
TPM	TPM v2.0
Video Output	HDMI 2.0b x 1, (type A connector) VGA x 1, 15-pin D-sub connector (female)
Buttons	Reset button Power button

### Ethernet Interface

Magnetic Isolation Protection	1.5 kV (built-in)
-------------------------------	-------------------

### Serial Interface

Baudrate	50 bps to 115.2 kbps
Connector	DB9 male
Data Bits	5, 6, 7, 8

Parity	None, Even, Odd, Space, Mark
Stop Bits	1, 1.5, 2
Flow Control	RTS/CTS, XON/XOFF

#### Serial Signals

RS-232	TxD, RxD, RTS, CTS, DTR, DSR, DCD, GND
RS-422	Tx+, Tx-, Rx+, Rx-, GND
RS-485-2w	Data+, Data-, GND
RS-485-4w	Tx+, Tx-, Rx+, Rx-, GND

#### Digital Inputs

Connector	Spring-type Euroblock terminal
Sensor Type	Dry contact
Dry Contact	Logic 0: Short to GND Logic 1: Open

#### Digital Outputs

Connector	Spring-type Euroblock terminal
I/O Type	Sink
Current Rating	200 mA per channel
Voltage	0 to 24 VDC

#### LED Indicators

System	Power x 1 Storage x 1
LAN	2 per port (10/100/1000 Mbps)

#### Power Parameters

Input Voltage	12/24 VDC
Power Connector	Screw-fastened Euroblock terminal
Power Consumption	90 W

#### Physical Characteristics

Housing	Metal
IP Rating	IP20
Dimensions	440 x 230 x 43.6 mm (17.32 x 9.06 x 1.72 in)
Weight	RKP-C110-C1-8C-T/C5-8C-T/C7-8C-T Models: 3,610 g (7.95 lb) RKP-C110-C1-2L4C-T/C5-2L4C-T/C7-2L4C-T Models: 3,540 g (7.80 lb) RKP-C110-C1-8L-T/C5-8L-T/C7-8L-T Models: 3,800 g (8.37 lb) RKP-C110-C1-T/C5-T/C7-T/C1-T-Win10/C5-T-Win10/C7-T-Win10 Models: 3,350 g (7.38 lb)
Installation	Rack mounting (standard 1U)

## Environmental Limits

Operating Temperature	-30 to 60°C (-22 to 140°F)
Storage Temperature	-40 to 75°C (-40 to 167°F)
Ambient Relative Humidity	5 to 95% (non-condensing)

## Standards and Certifications

EMC	EN 55032/35
EMI	CISPR 32, FCC Part 15B Class A BSMI
EMS	IEC 61000-4-2 ESD: Contact: 4 kV; Air: 8 kV IEC 61000-4-3 RS: 80 MHz to 1 GHz: 3 V/m IEC 61000-4-4 EFT: Power: 0.5 kV; Signal: 0.5 kV IEC 61000-4-5 Surge: Power: 0.5 kV, Signal: 1 kV IEC 61000-4-6 CS: 3 V IEC 61000-4-8 PFMF: 1 A/m at 50 to 60 Hz
Safety	UL 62368-1 (CB) BSMI
Shock	IEC 60068-2-27
Vibration	IEC 60068-2-64
Package Drop Test	ISTA 1A
Package Vibration Test	ISTA 1A

## Declaration

Green Product	RoHS, CRoHS, WEEE
---------------	-------------------

## Reliability

Time Source	Built-in RTC (real-time clock) with lithium-battery backup
Automatic Reboot Trigger	Built-in WDT

## MTBF

Time	493,336 hrs
Standards	Telcordia (Bellcore), GB

## Warranty

Warranty Period	3 years
Details	See <a href="http://www.moxa.com/tw/warranty">www.moxa.com/tw/warranty</a>

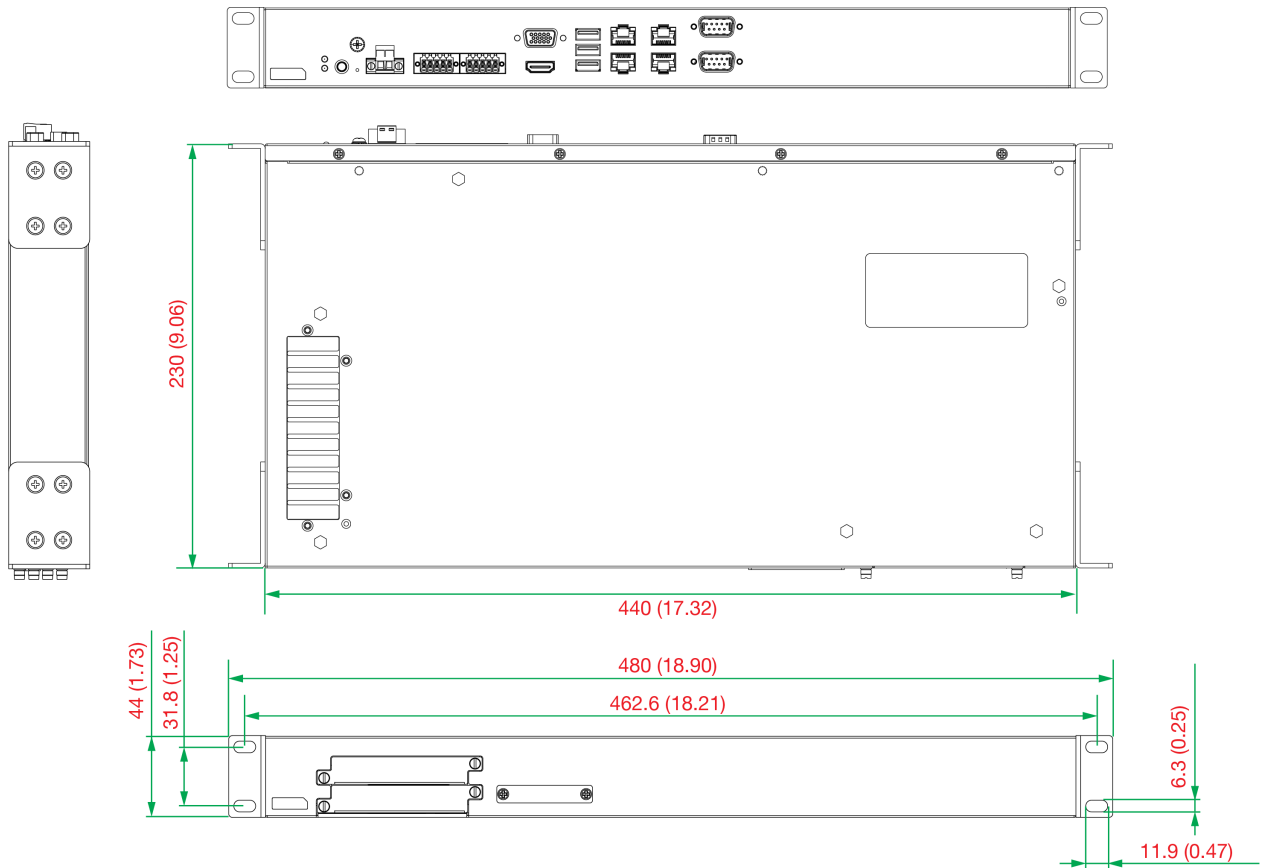
## Package Contents

Device	1 x RKP-C110 Series computer with rack-mounting ears installed
Installation Kit	1 x terminal block, 2-pin, for DC power 2 x terminal block, 10-pin, for DIs/DOS
Documentation	1 x quick installation guide 1 x warranty card

# 尺寸

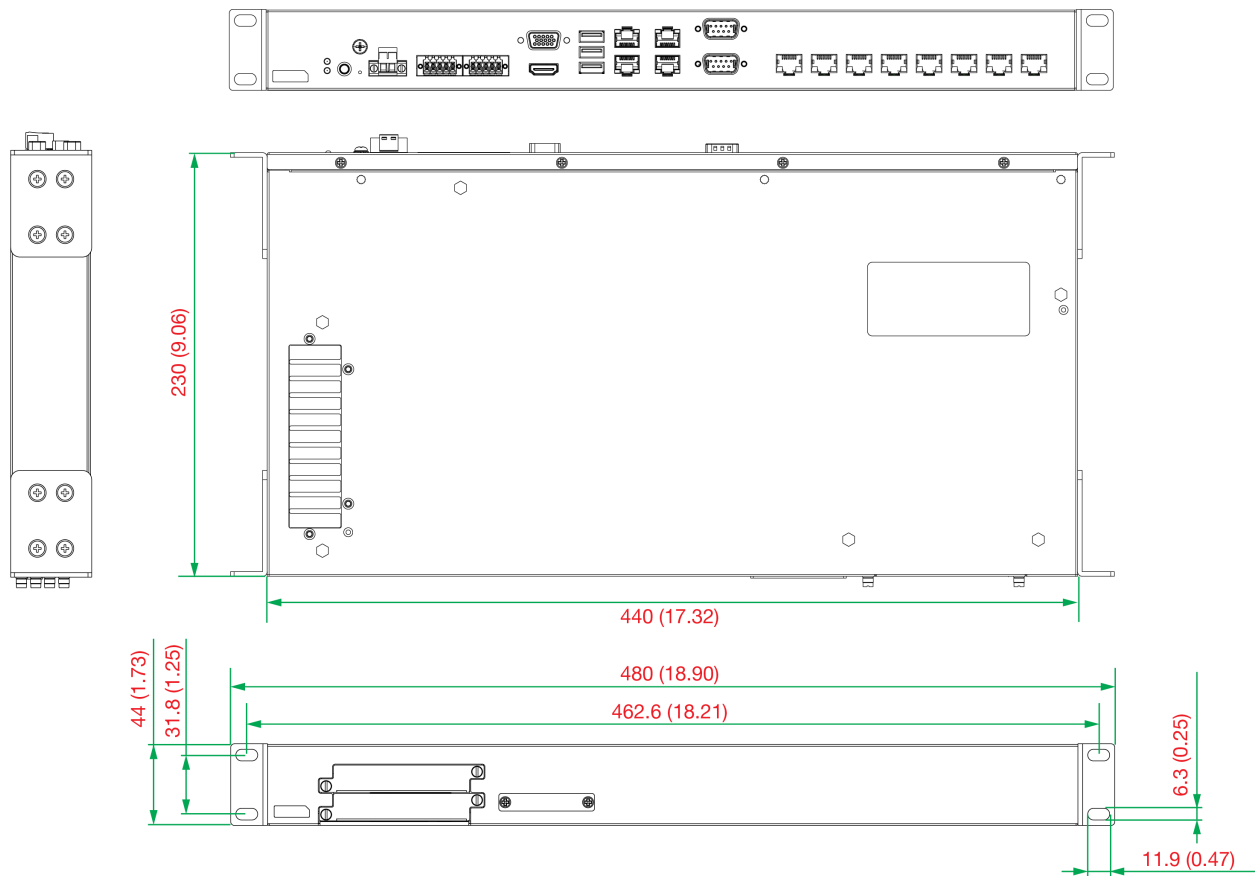
RKP-C110-C1-T/C5-T/C7-T/C1-T-Win10/C5-T-Win10/C7-T-Win10 型號

單位：公釐 (英吋)



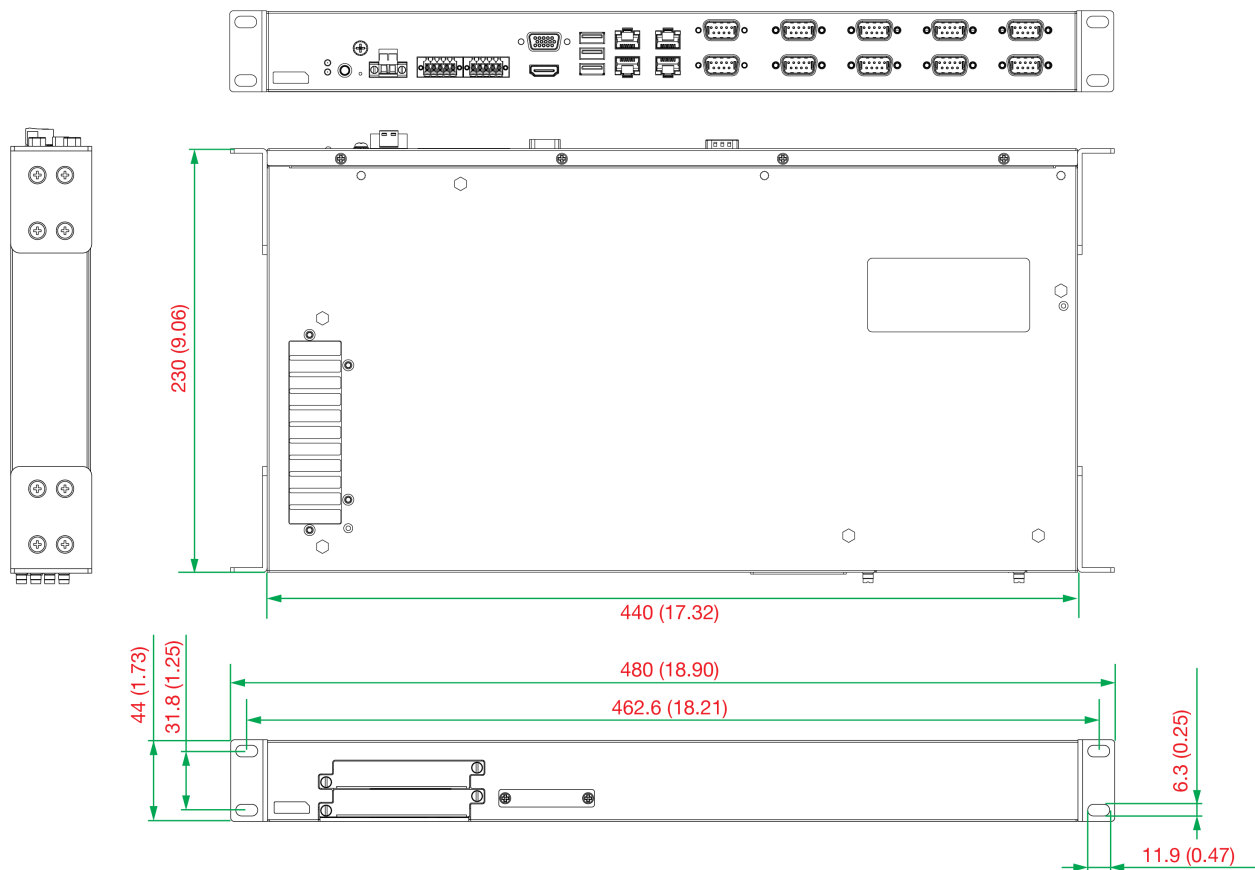
# RKP-C110-C1-8L-T/C5-8L-T/C7-8L-T 型號

單位：公釐 (英吋)



**RKP-C110-C1-8C-T/C5-8C-T/C7-8C-T 型號**

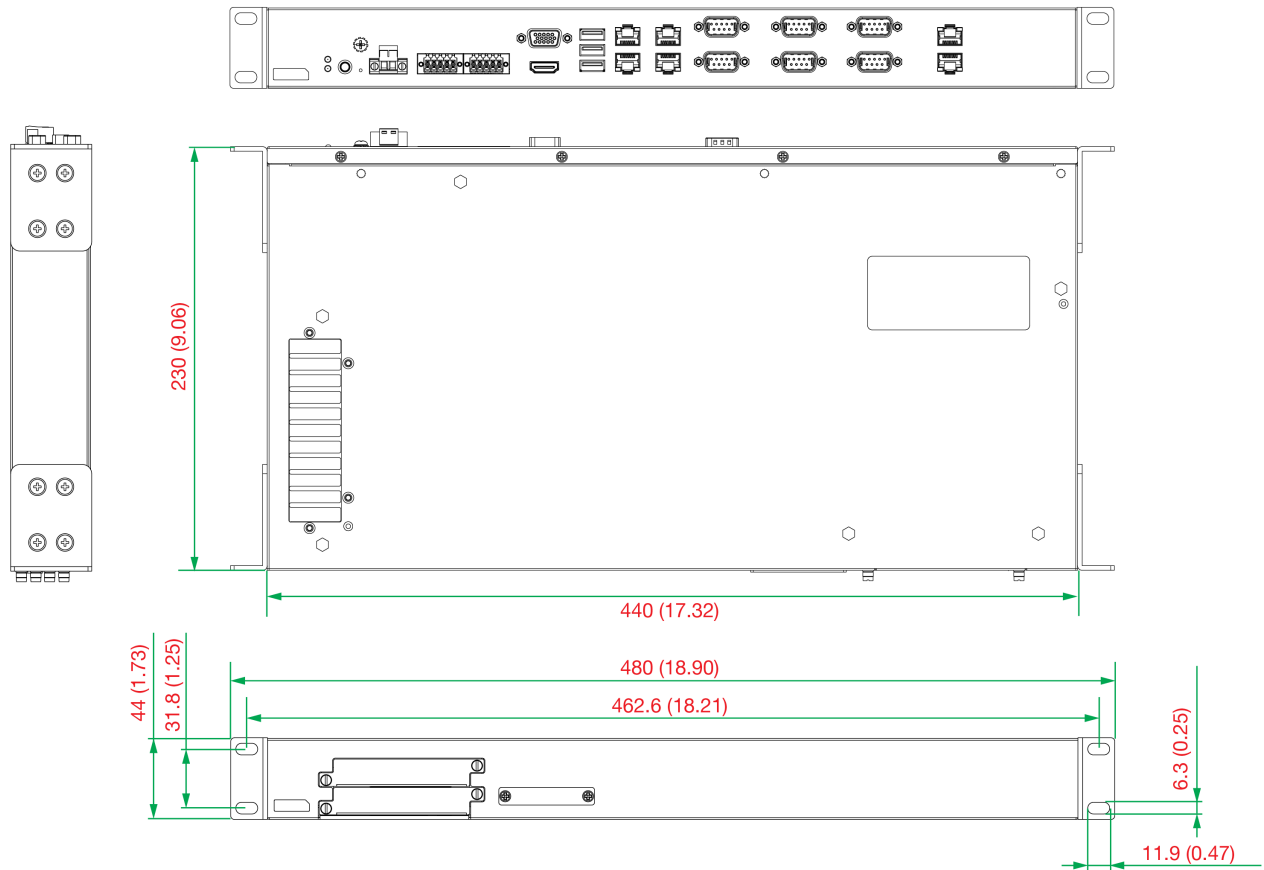
單位：公釐 (英吋)





## RKP-C110-C1-2L4C-T/C5-2L4C-T/C7-2L4C-T 型號

單位：公釐（英吋）



## 訂購資訊

Model Name	CPU	RAM	Storage Slots	OS Preinstalled	LAN/Serial	USB 3.0	DIs/ DOs	Video Outputs	Power Input
RKP-C110-C1-T	Intel® Celeron® 6305E	8 GB	2 x 2.5" SSD	-	4/2	3	8 x DIs 8 x DOs	1 x VGA 1 x HDMI	12/24 VDC
RKP-C110-C1-T-Win10	Intel® Celeron® 6305E	8 GB	2 x 2.5" SSD	Win 10 LTSC (64 GB SSD)	4/2	3	8 x DIs 8 x DOs	1 x VGA 1 x HDMI	12/24 VDC
RKP-C110-C1-8L-T	Intel® Celeron® 6305E	8 GB	2 x 2.5" SSD	-	12/2	3	8 x DIs 8 x DOs	1 x VGA 1 x HDMI	12/24 VDC
RKP-C110-C1-8C-T	Intel® Celeron® 6305E	8 GB	2 x 2.5" SSD	-	4/10	3	8 x DIs 8 x DOs	1 x VGA 1 x HDMI	12/24 VDC
RKP-C110-C1-2L4C-T	Intel® Celeron® 6305E	8 GB	2 x 2.5" SSD	-	6/6	3	8 x DIs 8 x DOs	1 x VGA 1 x HDMI	12/24 VDC
RKP-C110-C5-T	Intel® Core™ i5-1145G7E	8 GB	2 x 2.5" SSD	-	4/2	3	8 x DIs 8 x DOs	1 x VGA 1 x HDMI	12/24 VDC
RKP-C110-C5-T-Win10	Intel® Core™ i5-1145G7E	8 GB	2 x 2.5" SSD	Win 10 LTSC (64 GB SSD)	4/2	3	8 x DIs 8 x DOs	1 x VGA 1 x HDMI	12/24 VDC
RKP-C110-C5-8L-T	Intel® Core™ i5-1145G7E	8 GB	2 x 2.5" SSD	-	12/2	3	8 x DIs 8 x DOs	1 x VGA 1 x HDMI	12/24 VDC

Model Name	CPU	RAM	Storage Slots	OS Preinstalled	LAN/Serial	USB 3.0	DIs/ DOs	Video Outputs	Power Input
RKP-C110-C5-8C-T	Intel® Core™ i5-1145G7E	8 GB	2 x 2.5" SSD	-	4/10	3	8 x DIs 8 x DOs	1 x VGA 1 x HDMI	12/24 VDC
RKP-C110-C5-2L4C-T	Intel® Core™ i5-1145G7E	8 GB	2 x 2.5" SSD	-	6/6	3	8 x DIs 8 x DOs	1 x VGA 1 x HDMI	12/24 VDC
RKP-C110-C7-T	Intel® Core™ i7-1185G7E	8 GB	2 x 2.5" SSD	-	4/2	3	8 x DIs 8 x DOs	1 x VGA 1 x HDMI	12/24 VDC
RKP-C110-C7-T-Win10	Intel® Core™ i7-1185G7E	8 GB	2 x 2.5" SSD	Win 10 LTSC (64 GB SSD)	4/2	3	8 x DIs 8 x DOs	1 x VGA 1 x HDMI	12/24 VDC
RKP-C110-C7-8L-T	Intel® Core™ i7-1185G7E	8 GB	2 x 2.5" SSD	-	12/2	3	8 x DIs 8 x DOs	1 x VGA 1 x HDMI	12/24 VDC
RKP-C110-C7-8C-T	Intel® Core™ i7-1185G7E	8 GB	2 x 2.5" SSD	-	4/10	3	8 x DIs 8 x DOs	1 x VGA 1 x HDMI	12/24 VDC
RKP-C110-C7-2L4C-T	Intel® Core™ i7-1185G7E	8 GB	2 x 2.5" SSD	-	6/6	3	8 x DIs 8 x DOs	1 x VGA 1 x HDMI	12/24 VDC

© Moxa Inc. 版權所有.2024 年 2 月 19 日更新。

未經 Moxa Inc. 明確書面許可，不得以任何方式複製或使用本文件及其任何部分。產品規格如有變更，恕不另行通知。請至本公司官網了解最新的產品資訊。