

NPort 5600-DT-G2 Series Quick Installation Guide

Version 1.0, February 2026

Technical Support Contact Information
www.moxa.com/support



© 2026 Moxa Inc. All rights reserved.

P/N: 1802056002010



Package Checklist

- NPort 5600-DT-G2 device server
- 2 wall-mounting ears
- Quick installation guide (this guide)

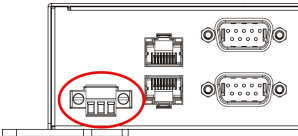
NOTE Notify your sales representative if any of the above items are missing or damaged.

For optional accessories like cables, connectors, or mounting kits, refer to the Accessories section in the datasheet.

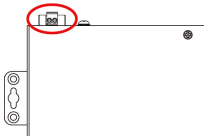
Powering the Device

Unbox the device server and power it up by connecting the proper pin assignment of the terminal block of the power input. The location of the power supply outlet on the device server is indicated in the following figures:

NPort 5600-DT-G2 models



NPort 5650-8-DTS-G2 models



When wiring the power supply, we suggest using American Wire Gauge (AWG) 16 to 20 and a torque value of 0.50 N-m. as a cable and the corresponding pin-type cable terminals. It is recommended to strip the cable to a length of 8 to 9 mm. The wire temperature rating should be at least 85°C. Use copper conductors and only one conductor at one damping point on the terminal block only.

When you are using a DIN-rail power supply or utility power, ensure that the ground pin is properly connected. The ground pin must be connected to the chassis ground of the rack or the system.

NOTE If the operation altitude is over 2,000 m, select a proper external power source to comply with the product up to 4,000 m.

NOTE The product is intended to be supplied by a UL Listed Power Unit marked "L.P.S." (or "Limited Power Source") and is rated 12 to 48 VDC, 0.8 A min., $T_{ma} = 60^{\circ}\text{C}$ (without suffix -T) or $T_{ma} = 75^{\circ}\text{C}$ (with suffix -T). If you need further help with purchasing the power source, contact us for further information.

After powering up the device, the Ready LED should turn red first. After a couple of seconds, the Ready LED should turn green, and you should hear a beep, which indicates the device is ready. For detailed behavior of the LED indicators, see the *LED Indicators* section.

LED Indicators

LED	Color	LED Function	
Ready	Red	Steady	Power is on and the NPort is booting up.
		Blinking	Indicates an IP conflict, or the DHCP server did not respond properly or the user pushed the reset button.
	Green	Steady	Power is on and the NPort is functioning normally
		Blinking	The device server has been located by the utility's locate function
	Red + Green (Amber)	Steady	After pushing the reset button for more than 5 seconds, it indicates the user can release the button and the device will restart with default settings.
	Off		Power is off, or a power error condition exists
P1, P2 ... P16	Yellow		Serial port is receiving data
	Green		Serial port is transmitting data
	Off		No data is being transmitted or received through the serial port

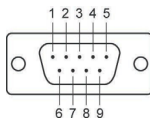
When the device is ready, connect an Ethernet cable to the NPort 5600-DT-G2 directly with the computer's Ethernet port or an Ethernet port of a switch.

Serial Ports

The NPort 5600-DT-G2 models come with 8-pin RJ45/10-pin RJ50 or DB9 serial ports with RS-232/422/485 support. Refer to the following table for the pin assignments for different models.

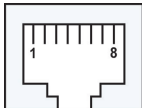
NPort 5600-8-DT-G2 models:

Pin	RS-232	RS-422 4-wire RS-485	2-wire RS-485
1	DCD	TxD-(A)	-
2	RXD	TxD+(B)	-
3	TXD	RxD+(B)	Data+(B)
4	DTR	RxD-(A)	Data-(A)
5	GND	GND	GND
6	DSR	-	-
7	RTS	-	-
8	CTS	-	-
9	-	-	-



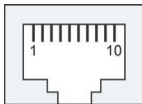
NPort 5600-16-DT-G2 models:

Pin	RS-232	RS-422 4-wire RS-485	2-wire RS-485
1	DSR	-	-
2	RTS	TxD+(B)	-
3	GND	GND	GND
4	TxD	TxD-(A)	-
5	RxD	RxD+(B)	Data+(B)
6	DCD	RxD-(A)	Data-(A)
7	CTS	-	-
8	DTR	-	-



NPort 5600-8-DTS-G2 models:

Pin	RS-232	RS-422 4-wire RS-485	2-wire RS-485
1	-	TxD-(A)	-
2	DSR	RxD-(B)	Data-(A)
3	RTS	-	-
4	CGND	CGND	CGND
5	TxD	TxD+(A)	-
6	RxD	RxD+(B)	Data+(B)
7	SGND	SGND	SGND
8	CTS	-	-
9	DTR	-	-
10	DCD	-	-



Software Installation

Two methods initiate the configuration of the NPort 5600-DT-G2 Series. First, you can download the Device Search Utility from Moxa website to help you find the target NPort device server and set the username/password and the IP address. For more details, scan the QR code. A video guides you through the basic settings with Device Search Utility. You can also access the video via [this link](#).



Second, directly access the default IP address of the NPort: **https://192.168.127.254**. There is no default username or password. You will need to complete the following first login process as part of the basic settings.

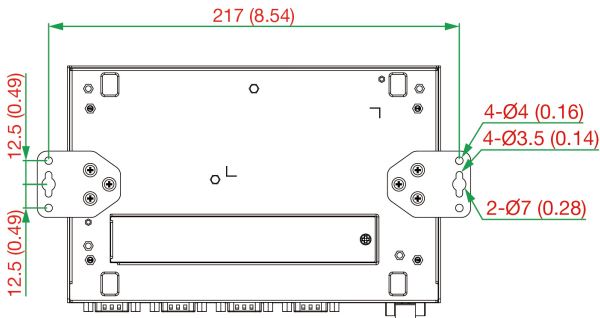
1. Set up the first Administrator's account and password for your NPort.
2. If you have exported configuration files from an NPort 5600-DT, import the configuration file to complete the settings.
If this is your first time using an NPort, skip this step.
3. Configure the IP address, subnet mask, and network settings for the NPort.
4. After applying the settings, the NPort will reboot.
Log in using the Administrator's account and password that you set up in step 1.

Mounting Options

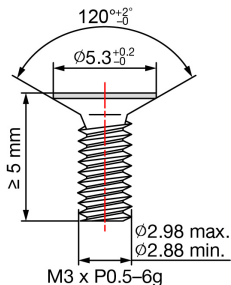
The NPort 5600-DT-G2 can be placed flat on a desktop or other horizontal surface, and it also includes a wall-mounting kit in the box, which can be used to mount the NPort to a wall or the inside of a cabinet. You can order a DIN-rail mounting kit (DK-43-01) separately for different placement options as illustrated in the following diagrams:

NPort 5600-DT-G2 終端伺服器可平放於桌面等平面，同時亦內附壁掛式安裝配件以安裝在現場的牆上或是機櫃中；若需要導軌式安裝，請另行採購相關配件 DK-43-01，下以圖示說明各種安裝方式的安裝方法與注意事項。

Wall Mounting 壁掛式安裝



For attaching the device server to a wall, it requires two screws. The requirements of the screws are listed below:

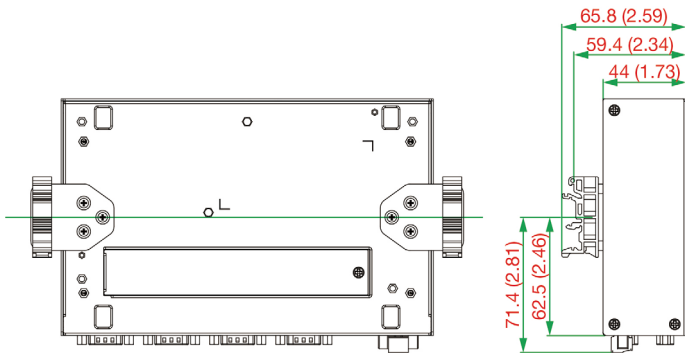


以上各式安裝配件都會包含對應的螺絲，若您偏好自己採購螺絲，以下為各配件我們建議的螺絲尺寸：

- 壁掛式安裝螺絲尺寸: **FMS M3 x 5 mm**
- 導軌式安裝螺絲尺寸: **FTS M3 x 5 mm**

當要透過壁掛式將設備鎖附至牆壁上時，會需要另外採購兩根螺絲，建議兩根螺絲的規格詳述如上圖。

DIN-rail Mounting 導軌式安裝 (with optional DIN-rail mounting kit: DK-43-01)

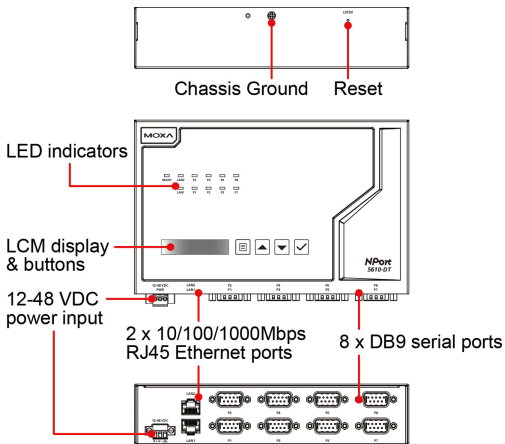


The mounting kit packages include screws. However, if you prefer to buy your own, refer to the dimensions below:

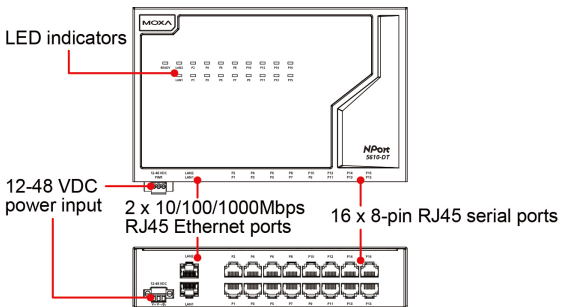
- Wall-mounting kit screws: FMS M3 x 5 mm
- DIN-rail mounting kit screws: FTS M3 x 5 mm

The I/O Ports and Interfaces

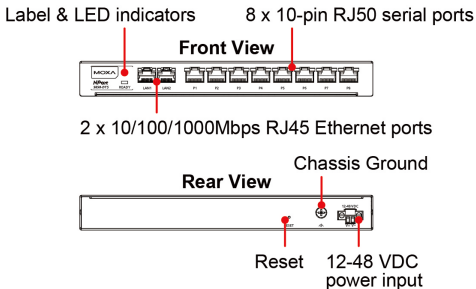
NPort 5600-8-DT-G2



NPort 5600-16-DT-G2



NPort 5650-8-DTS-G2



Specifications

Power Requirements	
Power Input	12 to 48 VDC
Power Consumption (Input Rating)	12 to 48 VDC, 0.8 A (max.)
Environmental Limits	
Operating Temperature	<ul style="list-style-type: none">• Standard models: -10 to 60°C (14 to 140°F)• Wide temp. models: -40 to 75°C (-40 to 167°F)
Storage Temperature (package included)	-40 to 85°C (-40 to 185°F)
Ambient Relative Humidity	5 to 95% RH
Isolation Protection	Isolation Protection: <ul style="list-style-type: none">• Serial: 2 kV (for "I" models)• Ethernet: 1.5 kV

RoHS Compliance



All Moxa products are marked with the CE logo to indicate that our electronic products have met the RoHS 2 Directive's requirements.



All Moxa products are marked with the UKCA logo to indicate that our electronic products have met the UK RoHS Regulation.

For further information, please visit our website at:

http://www.moxa.com/about/Responsible_Manufacturing.aspx

Simplified EU and UK Declaration of Conformity

Hereby, **Moxa Inc.** declares that the equipment complies with the directives. The full text of the EU and UK declarations of conformity and other detailed information is available at <https://www.moxa.com> or <https://partnerzone.moxa.com/>

Restricted Bands of Operation for Wireless Devices



The 5150-5350 MHz frequency band is restricted to indoor use for EU member states.

As countries and regions have different regulations regarding the use of frequency bands to avoid interference, please check local regulations before using this device.

EU Contact Information

Moxa Europe GmbH

New Eastside, Streitfeldstrasse 25, Haus B, 81673 München, Germany

UK Contact Information

MOXA UK Limited

First Floor, Radius House, 51 Clarendon Road, Watford, Hertfordshire, WD17, 1HP, United Kingdom

FCC Supplier's Declaration of Conformity

The following equipment:

Product Model: As shown on the product label

Trade Name: MOXA

It's herewith confirmed this device complies with Part 15 of the FCC Rules.

Operation is subject to the following two conditions:

1. This device must not cause harmful interference.
2. This device must accept any interference received, including interference that may cause undesired operation.

It is understood that each unit marketed is identical to the device as tested, and any changes to the device that could adversely affect the emission characteristics will require retesting.

CAN ICES-003(A) / NMB-003(A)

Responsible Party—U.S. Contact Information

Moxa Americas Inc.

601 Valencia Avenue, Suite 100, Brea, CA 92823, USA

Phone number: 1-877-669-2123

Manufacturer address:

No. 1111, Heping Rd., Bade Dist., Taoyuan City 334004, Taiwan

Contact Us:

For our worldwide sales offices, please visit our website:

https://www.moxa.com/about/Contact_Moxa.aspx

Product Warranty Statement

Moxa warrants this product to be free from manufacturing defects in materials and workmanship, starting from the date of delivery. The actual warranty period of Moxa's products varies with the product category. Complete details can be found here:

<http://www.moxa.com/support/warranty.htm>

NOTE The warranty statement on the above web page supersedes any statement in this printed document.

Moxa will replace any product found to be defective within the first three months of purchase, provided said product has been properly installed and used. Defects, malfunctions, or failures of the warranted product caused by damage resulting from acts of God (such as floods, fire, etc.), environmental and atmospheric disturbances, other external forces such as power line disturbances, plugging the board in under power, or incorrect cabling, and damage caused by misuse, abuse, and unauthorized alteration or repair, are not warranted.

Customers must obtain a Return Merchandise Authorization (RMA) number prior to returning a defective product to Moxa for service. The customer agrees to ensure the product or assume the risk of loss or damage during transit, to prepay shipping charges, and to use the original shipping container or equivalent.

Repaired or replaced products are warranted for ninety (90) days from the date of repair or replacement, or for the remainder of the original product's warranty period, whichever is longer.

Limitation of Liability

The provisions of the warranty are in lieu of any other warranty, whether expressed or implied, or written or oral. Moxa's liability arising out of the manufacture, sale, or supply of the product and its use, whether based on warranty, contract, negligence, product liability, or otherwise, shall not exceed the original cost of the product. In no event shall Moxa be liable for unintended or consequential damages, including, but not limited to, loss of profits or damages arising out of the manufacture, sale, or supply of the product.

Product Disposal



This mark on all Moxa products indicates that the equipment should not be disposed of through standard waste treatment processes and should be collected separately.



警告

為避免電磁干擾，本產品不應安裝或使用於住宅環境。



CAUTION

Risk of explosion if the battery is replaced by an incorrect type.
Dispose of used batteries according to the instructions.



WARNING

이 기기는 업무용 환경에서 사용할 목적으로 적합성평가를 받은 기기로서 가정용 환경에서 사용하는 경우 전파간섭의 우려가 있습니다.

(Translation: This equipment has KC approval to be used for industrial environments and therefore it has the possibility of interferences with household equipment.)



CAUTION

Equipment intended for installation in a restricted access location. This equipment is not suitable for use in locations where children are likely to be present.





CAUTION

Ensure to connect the power cord to a socket-outlet with earthing connection if supplied by Class I power supply or power source.



CAUTION

1.  This product complies with IEC 60417-6042 (2010-11) standards.
2.  This product complies with the IEC 60417-6172 (2012-09) standards.

製造商資訊：

Moxa 四零四科技股份有限公司
+886-3-2737575
桃園市八德區和平路 1111 號