

BXP-A101 Series

Compact box computers with Intel Atom® x6211E/x6425E processor



Features and Benefits

- Box-type computer with fanless design
- Intel Atom® X Series processor
- Compact size to fit most field applications
- -30 to 70°C operating temperature range
- External dual storage with a removable cover design for easy maintenance

Certifications

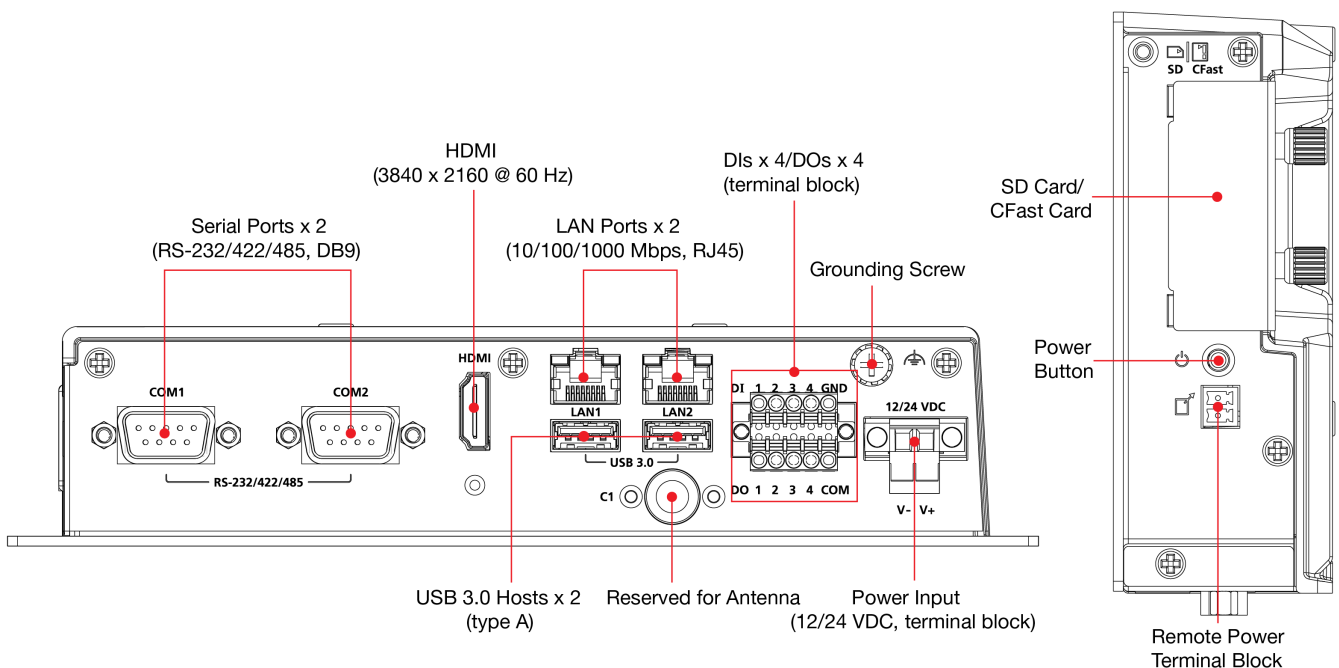


Introduction

The BXP-A101 wall-mount computers are powered by an Intel Atom® X processor. The computers come with 2 software-selectable RS-232/422/485 serial ports, 2 gigabit Ethernet ports, 4 digital inputs, and 4 digital outputs. A dual-storage design that includes CFAST and SD slots enables easy storage expansion. A removable cover design enables users to quickly and easily swap their storage in any location, delivering one more user-friendly feature in a reliable, durable, and versatile platform.

The BXP-A101 compact wall-mountable computers come in a fanless design and can withstand a temperature range of -30 to 70°C, making them a good fit for harsh operating environments. The built-in TPM 2.0 module secures the platform from unauthorized access. The BXP-A101 is an intelligent computing solution that perfectly fulfills both OT and IT requirements of industrial environments.

Appearance



Specifications

Computer

CPU	BXP-A101-E2-T: Intel Atom® x6211E processor (dual-core, 1.5 M cache, 1.30 GHz) BXP-A101-E4-T: Intel Atom® x6425E processor (quad-core, 1.5 M cache, 2.00 GHz)
System Memory Slot	SODIMM DDR4 slots x 1, up to 32 GB max.
System Memory Pre-installed	8 GB DDR4
Storage Slot	CFast slot x 1 (SATAIII interface) SD slots x 1, SD 3.0 interface (SDHC/SDXC)
Expansion Slots	mPCIe slots x 1
Supported OS	Windows images and drivers supported: - Windows 10 IoT Enterprise LTSC 2021 64-bit Linux image supported: - Debian 12 (kernel 6.10) Linux drivers supported: - Debian 12 (kernel 6.10) - Ubuntu 22.04 LTS (kernel 5.15) - RHEL 9 (kernel 5.14)
Graphics Controller	Intel® UHD Graphics

Computer Interface

Ethernet Ports	Auto-sensing 10/100/1000 Mbps ports (RJ45 connector) x 2
Serial Ports	RS-232/422/485 ports x 2 (software-selectable, DB9 male connector)
USB 3.0	USB 3.0 hosts x 2, type-A connectors
Digital Input	DIs x 4
Digital Output	DOs x 4
TPM	TPM v2.0
Video Output	HDMI 1.2a x 1, (type-A connector)
SIM Format	Nano
Number of SIMs	1
Buttons	Power button

Ethernet Interface

Magnetic Isolation Protection	1.5 kV (built-in)
-------------------------------	-------------------

Serial Interface

Baudrate	50 bps to 115.2 kbps
Connector	DB9 male
Data Bits	5, 6, 7, 8
Parity	None, Even, Odd, Space, Mark
Stop Bits	1, 1.5, 2
Flow Control	RTS/CTS, XON/XOFF, Automatic Data Direction Control (ADDC) for RS-485, RTS Toggle (RS-232 only)

Serial Signals

RS-232	TxD, RxD, RTS, CTS, DTR, DSR, DCD, GND
RS-422	Tx+, Tx-, Rx+, Rx-, GND
RS-485-2w	Data+, Data-, GND
RS-485-4w	Tx+, Tx-, Rx+, Rx-, GND

Digital Inputs

Connector	Spring-type Euroblock terminal
Sensor Type	Dry contact Wet contact (NPN)
Dry Contact	Logic 0: Close to GND Logic 1: Open
Wet Contact (COM to DI)	Logic 0: 10 to 30 VDC Logic 1: 3 VDC max

Digital Outputs

Connector	Spring-type Euroblock terminal
I/O Type	Sink
Current Rating	200 mA per channel
Voltage	Logic 0: 200mA max. per channel, sink Logic 1: 24 VDC (typ.), 30 VDC (max.), open collector

LED Indicators

System	Power x 1
LAN	2 per port (10/100/1000 Mbps)

Power Parameters

Input Voltage	12/24 VDC
Power Connector	Screw-fastened Euroblock terminal
Power Consumption	50 W

Physical Characteristics

Housing	Metal
IP Rating	IP20
Dimensions	207 x 116.1 x 44.5 mm (8.14 x 4.57 x 1.75 in)
Installation	Wall mounting
Weight	1,225 g (2.7 lb)

Environmental Limits

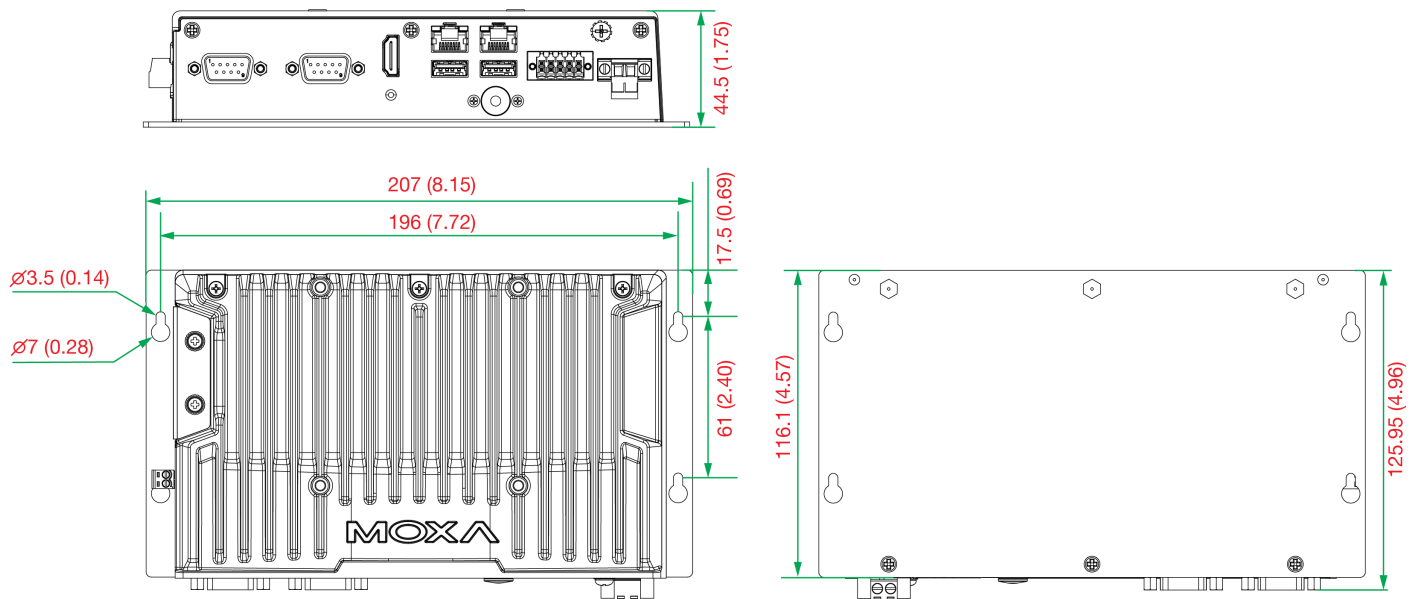
Operating Temperature	-30 to 70°C (-22 to 158°F)
Storage Temperature	-40 to 70°C (-40 to 158°F)
Ambient Relative Humidity	5 to 95% (non-condensing)

Standards and Certifications

EMC	EN 55032/35
EMI	CISPR 32, FCC Part 15B Class A BSMI
EMS	IEC 61000-4-2 ESD: Contact: 4 kV; Air: 8 kV IEC 61000-4-3 RS: 80 MHz to 1 GHz: 3 V/m IEC 61000-4-4 EFT: Power: 0.5 kV; Signal: 0.5 kV IEC 61000-4-5 Surge: Power: 0.5 kV, Signal: 1 kV IEC 61000-4-6 CS: 3 V IEC 61000-4-8 PFMF: 1 A/m at 50 to 60 Hz
Safety	BSMI IEC 62368-1 UL 62368-1
Shock	IEC 60068-2-27
Vibration	IEC 60068-2-64
Package Drop Test	ISTA 1A
Package Vibration Test	ISTA 1A
Declaration	
Green Product	RoHS, CRoHS, WEEE
Reliability	
Time Source	Built-in RTC (real-time clock) with lithium-battery backup
Automatic Reboot Trigger	Built-in WDT
MTBF	
Time	1,581,038 hrs
Standards	Telcordia (Bellcore), GB
Warranty	
Warranty Period	3 years
Details	See www.moxa.com/warranty
Package Contents	
Device	1 x BXP-A101 Series computer
Installation Kit	1 x terminal block, 2-pin, for DC power input 1 x terminal block, 10-pin, for DIO 1 x terminal block, 2-pin, for connecting a power button extension
Documentation	1 x quick installation guide 1 x warranty card

Dimensions

Unit: mm (inch)



Ordering Information

Model Name	CPU	Memory	Storage Slots	OS Preinstalled	LAN/Serial	USB 3.0	DIs/DOs	Video Outputs	Power Input
BXP-A101-E2-T	Intel Atom® x6211E	8 GB	1 x CFast 1 x SD	-	2/2	2	4 x DIs 4 x DOs	1 x HDMI	12/24 VDC
BXP-A101-E4-T	Intel Atom® x6425E	8 GB	1 x CFast 1 x SD	-	2/2	2	4 x DIs 4 x DOs	1 x HDMI	12/24 VDC

© Moxa Inc. All rights reserved. Updated Jan 20, 2025.

This document and any portion thereof may not be reproduced or used in any manner whatsoever without the express written permission of Moxa Inc. Product specifications subject to change without notice. Visit our website for the most up-to-date product information.