

ioThinX 4500 (45ML) Module Series User's Manual

Version 1.0, July 2020

www.moxa.com/product



© 2020 Moxa Inc. All rights reserved.

ioThinX 4500 (45ML) Module Series User's Manual

The software described in this manual is furnished under a license agreement and may be used only in accordance with the terms of that agreement.

Copyright Notice

© 2020 Moxa Inc. All rights reserved.

Trademarks

The MOXA logo is a registered trademark of Moxa Inc.
All other trademarks or registered marks in this manual belong to their respective manufacturers.

Disclaimer

Information in this document is subject to change without notice and does not represent a commitment on the part of Moxa.

Moxa provides this document as is, without warranty of any kind, either expressed or implied, including, but not limited to, its particular purpose. Moxa reserves the right to make improvements and/or changes to this manual, or to the products and/or the programs described in this manual, at any time.

Information provided in this manual is intended to be accurate and reliable. However, Moxa assumes no responsibility for its use, or for any infringements on the rights of third parties that may result from its use.

This product might include unintentional technical or typographical errors. Changes are periodically made to the information herein to correct such errors, and these changes are incorporated into new editions of the publication.

Technical Support Contact Information

www.moxa.com/support

Moxa Americas

Toll-free: 1-888-669-2872
Tel: +1-714-528-6777
Fax: +1-714-528-6778

Moxa Europe

Tel: +49-89-3 70 03 99-0
Fax: +49-89-3 70 03 99-99

Moxa India

Tel: +91-80-4172-9088
Fax: +91-80-4132-1045

Moxa China (Shanghai office)

Toll-free: 800-820-5036
Tel: +86-21-5258-9955
Fax: +86-21-5258-5505

Moxa Asia-Pacific

Tel: +886-2-8919-1230
Fax: +886-2-8919-1231

Safety Symbols



DANGER

Indicates a high-risk, imminently hazardous situation, which could result in death or serious injury.



WARNING

Indicates a moderate-risk, potentially hazardous situation, which may result in moderate to serious injury.



CAUTION

Indicates a low-risk, potentially hazardous situation, which may result in minor or moderate injury.

NOTE

Indicates a potential malfunction, which will not result in damage to property.

INFORMATION

This information is important for preventing errors.

Table of Contents

| | |
|---|------------|
| 1. Preface | 1-1 |
| Revision History | 1-2 |
| Relevant Models | 1-2 |
| Package Contents | 1-2 |
| How to Use This Device | 1-2 |
| Safety Precautions | 1-2 |
| Additional Resources | 1-3 |
| 2. Product Overview | 2-1 |
| Technical Data | 2-2 |
| Common Specifications | 2-2 |
| 45ML-5401 Specifications | 2-2 |
| Appearance..... | 2-3 |
| Front View | 2-3 |
| Dimensions | 2-3 |
| LED Indicators..... | 2-4 |
| 3. Hardware Installation | 3-1 |
| Module Specifications | 3-2 |
| Terminal Blocks..... | 3-2 |
| 45ML-5401 | 3-2 |
| Mounting the Module..... | 3-4 |
| Installing the Module on the DIN Rail | 3-4 |
| Unmounting the I/O Module from the DIN Rail | 3-5 |

1

Preface

In this chapter, we explain the scope of and how to use this document.

The following topics are covered in this chapter:

- ❑ **Revision History**
- ❑ **Relevant Models**
- ❑ **Package Contents**
- ❑ **How to Use This Device**
- ❑ **Safety Precautions**
- ❑ **Additional Resources**

Revision History

| Version | Change | Date |
|---------|----------------|------------|
| v1.0 | First release. | 2020-07-06 |

Relevant Models

This document applies to the following 45ML modules:

| Model Name | Features | Operating Temp. |
|-------------|--|-----------------|
| 45ML-5401 | 4 serial ports (RS-232/422/485 3-in-1) | -20 to 60°C |
| 45ML-5401-T | 4 serial ports (RS-232/422/485 3-in-1) | -40 to 75°C |

Package Contents

The following items are included in the product package.

- 1 x 45ML module
- 1 x quick installation guide (printed)
- 1 x warranty card

How to Use This Device

45ML modules cannot be used as standalone devices. The modules must be used with an ioThinx 4500 Series head/CPU module. Refer to the appropriate ioThinx 4500 Series User's Manual for details.

NOTE Be sure to connect both the system and field power on the ioThinx 4530 series to the power supply; otherwise, the 45ML module may not work properly.

Safety Precautions

Observe the following safety precautions when installing or using the devices discussed in this document:



DANGER

Never work on the device while the power source is switched on! Disconnect all power sources to the device before performing any installation, repair, or maintenance work.



DANGER

To avoid causing electrical arcs, make sure that all power sources have been disconnected before removing or replacing components. Electrical arcs can cause explosions in areas that contain flammable substances. This warning applies when:

- Connecting or disconnecting the removable terminal block.
- Connecting or disconnecting the device from a field-site power source.

**WARNING**

Devices discussed in this document are sensitive to electrostatic discharge, which can cause internal damage to and/or affect normal operation of the devices. Observe the following precautions when handling a device:

- Before touching the device, touch a grounded object with your finger to discharge static electricity.
- Wear an approved grounding wristband.
- Do not touch connectors or pins on component boards.
- Do not touch circuit components inside the equipment.
- Use a static-safe workstation, if available.
- Store the device in appropriate static-safe packaging when not in use.

**WARNING**

Check the voltage supplied by the power source. Make sure the voltage provided by the power source matches the voltage required by the device.

**WARNING**

Check the voltage or current of the sensors or loads. Make sure the voltage and/or current indicated on the sensors or loads corresponds to the specifications of your 45ML module before you connect the device.

**WARNING**

Connect your device to an earthed ground.

**CAUTION**

Do not use the device if the device itself is already damaged. Replace defective or damaged devices to ensure that your devices function properly.

**CAUTION**

Do not attempt to repair the device yourself. If your device needs to be repaired, return the device to Moxa's customer service department. Attempting to repair the device yourself could invalidate the device's warranty.

Additional Resources

Refer to following documents for additional information.

- Datasheets for the following products:
 - ioThinx 4530 Series
 - ioThinx 4500 Series (45ML) Modules
- User's Manuals:
 - ioThinx 4530 Series Hardware User's Manual
 - ioThinx 4530 Series Linux User's Manual
- Programming Guide:
 - ioThinx 4530 Series Programming Guide

Product Overview

In this chapter, we give an overview of each of the 45ML modules.

The following topics are covered in this chapter:

□ **Technical Data**

- Common Specifications
- 45ML-5401 Specifications

□ **Appearance**

- Front View
- Dimensions

□ **LED Indicators**

Technical Data

Common Specifications

Physical Characteristics

Connector: Removable terminal block

Wiring: 18 to 24 AWG

Dimensions: 26.4 x 99 x 65.5 mm (1.04 x 3.90 x 2.58 in)

Installation: DIN-rail mounting

Environmental Limits

Operating Temperature:

Standard Models: -20 to 60°C (-4 to 140°F)

Wide Temp. Models: -40 to 75°C (-40 to 167°F)

45ML-5401 Specifications

Serial Communication

Interface: 4 RS-232/422/485 ports, software selectable

Isolation: 3k VDC or 2k Vrms

Serial Communication Parameters

Parity: None, Even, Odd

Data Bits: 7, 8

Stop Bits: 1, 2

Flow Control: RTS/CTS (RS-232 only), XON/XOFF

Pull High/Low Resistor for RS-485: 10 kilo-ohm

Baudrate: 300, 600, 1200, 1800, 2400, 4800, 9600, 19200, 38400, 57600, 115200 bps

Serial Signals

RS-232: TxD, RxD, RTS, CTS, GND

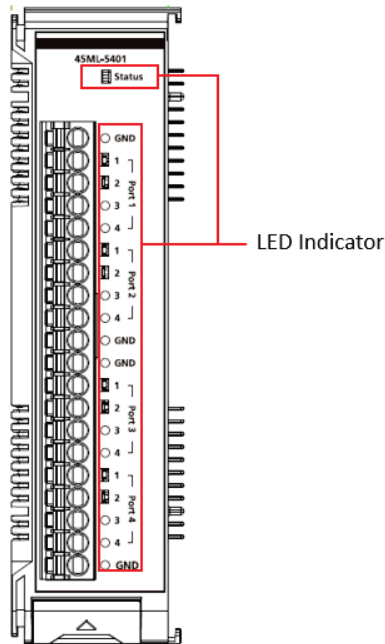
RS-422: Tx+, Tx-, Rx+, Rx-, GND

RS-485-2w: Data+, Data-, GND

Note: Up to 5 45ML-5401 modules can be used at the same time.

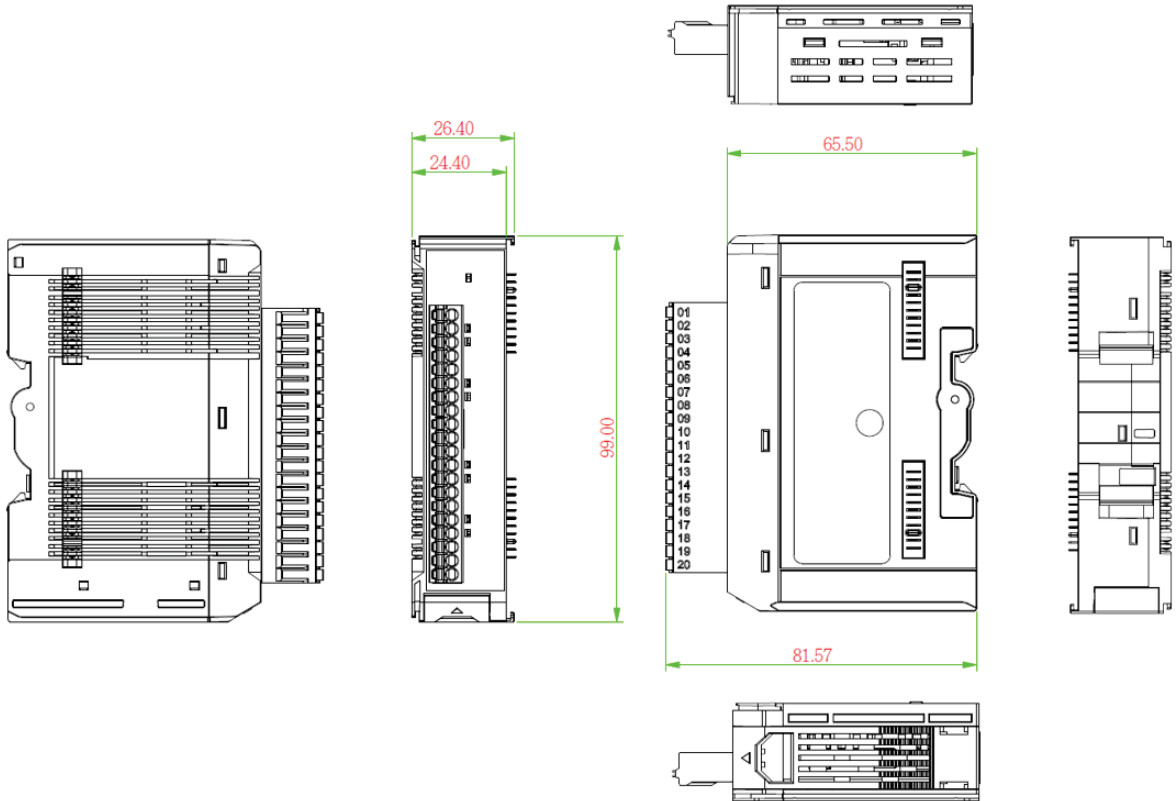
Appearance

Front View

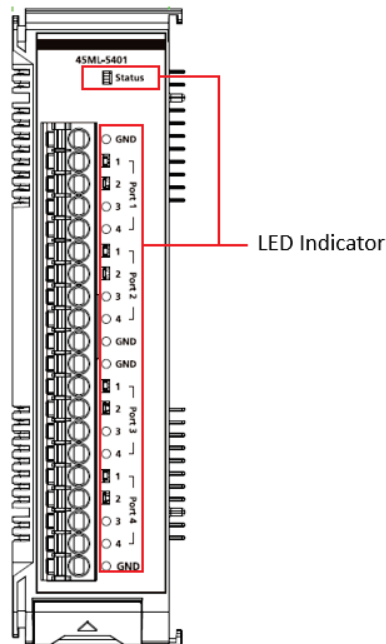


Dimensions

Unit: mm (inch)



LED Indicators



| Label | Usage | No. of LEDs | LED Color | Description |
|-----------------------------------|-------------------|-------------|-----------|--|
| Status | Status | 1 | Green | Steady on: Module ready Slow Blinking: Booting up |
| | | | Red | Steady on: Module error Slow Blinking: Upgrading firmware |
| | | | Off | Power off |
| Port 1, Port 2, Port 3, Port 4 | Serial connection | 2 of each | Green | Transmitting data(Tx) |
| | | | Amber | Receiving data(Rx) |
| | | | off | Disconnected or data is not being transmitted |

Hardware Installation

In this chapter, we describe how to install the 45ML modules.

The following topics are covered in this chapter:

▣ **Module Specifications**

- Terminal Blocks
- 45ML-5401

▣ **Mounting the Module**

- Installing the Module on the DIN Rail
- Unmounting the I/O Module from the DIN Rail

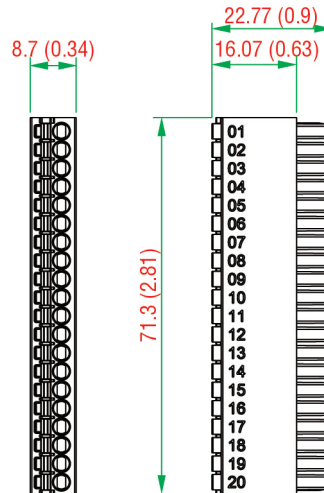
Module Specifications

Terminal Blocks

Wire range: 18 to 24 AWG

Wire strip length: 9 to 10 mm

Unit: mm (in.)



45ML-5401

Pin Assignment

The following tables shows the 45ML-5401 pin assignments.

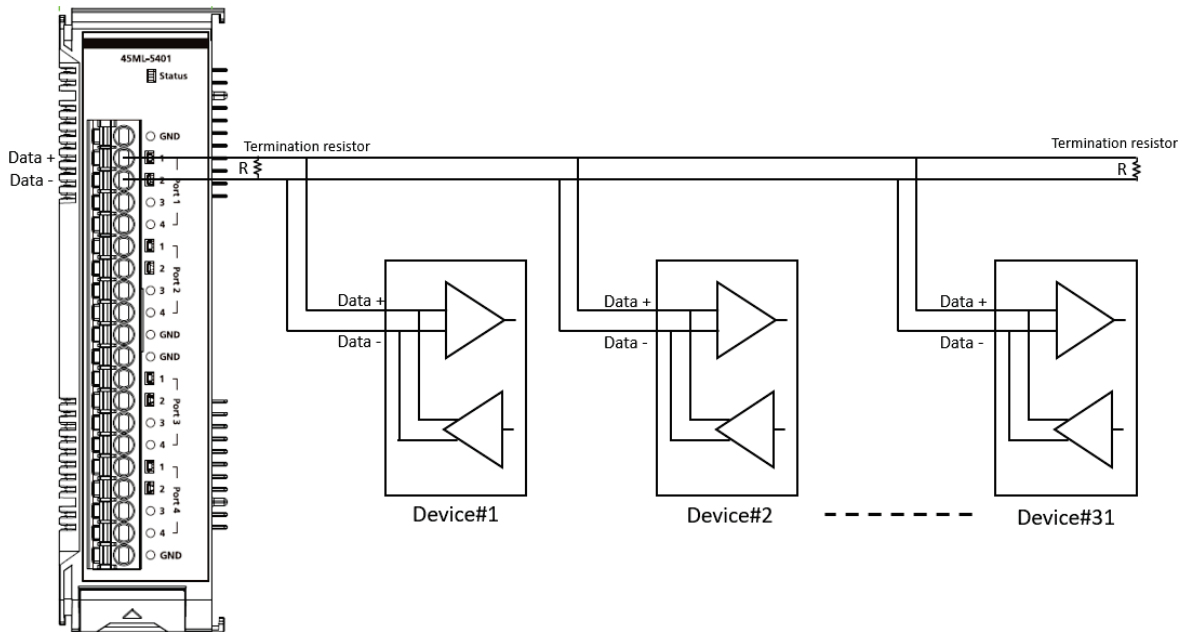
| | Pin | RS-232 | RS-422 | RS-485 | | Pin | RS-232 | RS-422 | RS-485 |
|--------|-----|--------|--------|--------|--------|--------|--------|--------|--------|
| | 1 | GND | GND | GND | | 11 | GND | GND | GND |
| Port 1 | 2 | TxD1 | TxD1+ | Data1+ | Port 3 | 12 | TxD3 | TxD3+ | Data3+ |
| | 3 | RxD1 | TxD1- | Data1- | | 13 | RxD3 | TxD3- | Data3- |
| | 4 | RTS1 | RxD1+ | - | | 14 | RTS3 | RxD3+ | - |
| | 5 | CTS1 | RxD1- | - | | 15 | CTS3 | RxD3- | - |
| | 6 | TxD2 | TxD2+ | Data2+ | | Port 4 | 16 | TxD4 | TxD4+ |
| Port 2 | 7 | RxD2 | TxD2- | Data2- | 17 | | RxD4 | TxD4- | Data4- |
| | 8 | RTS2 | RxD2+ | - | 18 | | RTS4 | RxD4+ | - |
| | 9 | CTS2 | RxD2- | - | 19 | | CTS4 | RxD4- | - |
| | 10 | GND | GND | GND | 20 | | GND | GND | GND |

Setting Up Termination Resistors

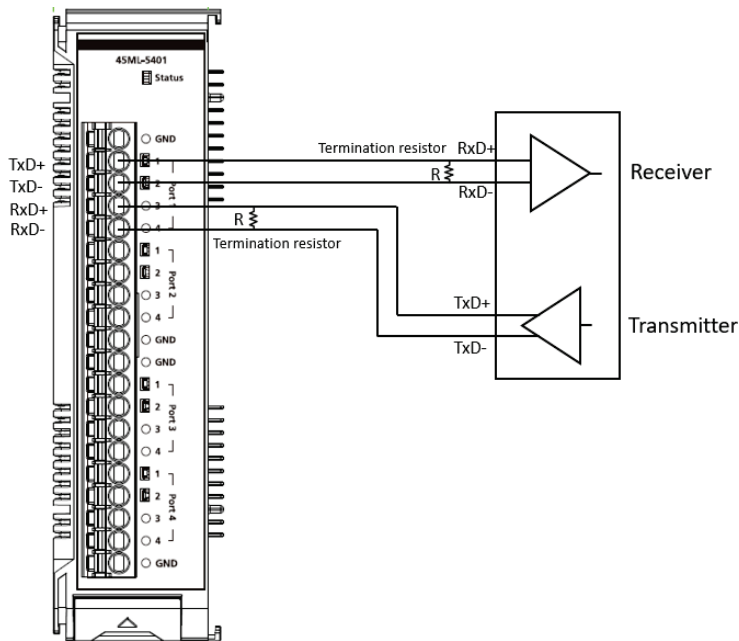
When setting up your RS-485 and RS-422 networks for long-distance communication, you should use termination resistors to prevent signal reflections. The following figures illustrate how to properly configure termination for a 2-wire RS-485 network, and an RS-422 network.

The 45ML-5401 Series comes with 10 kilo-ohm pull-high/low resistors built in. You will usually only need to install termination resistors (typically 120 Ω) on the first and last devices on your network.

Setting Up Terminators for a 2-wire RS-485 Network



Setting Up Terminators for an RS-422 Network



Mounting the Module

Take the following steps to mount the device on or unmount the device from a DIN rail.

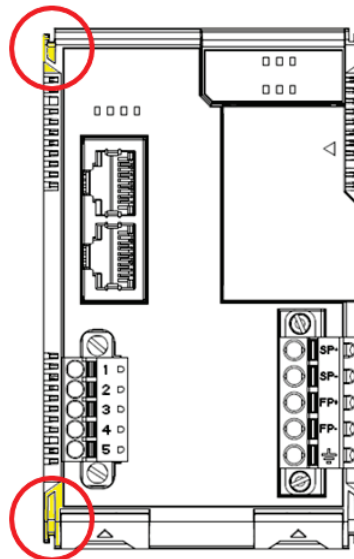


DANGER

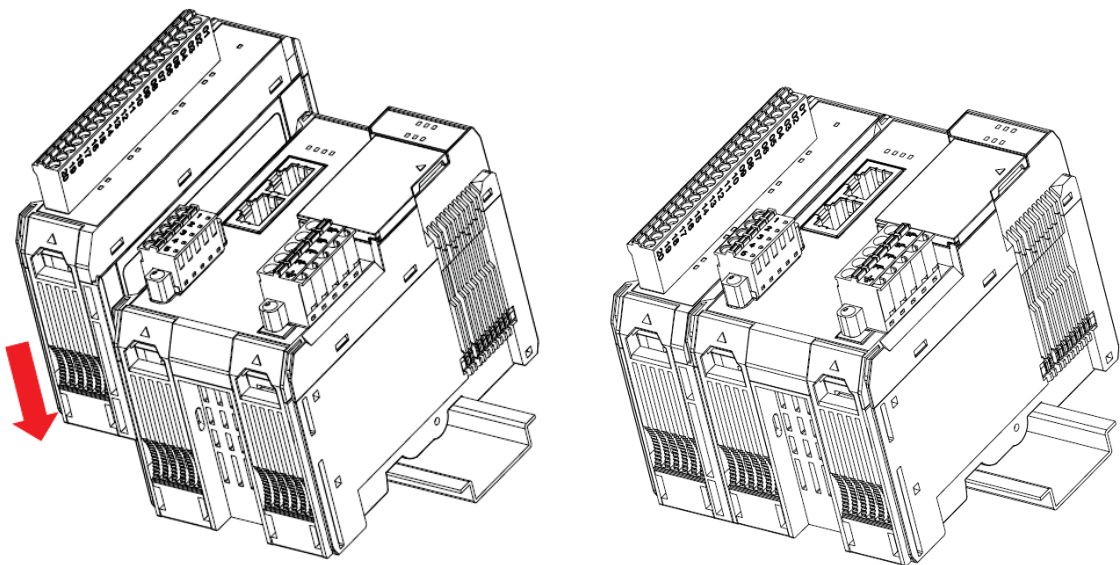
Never install the device when the power source is switched on!

Installing the Module on the DIN Rail

Step 1: Align the I/O module side by side with the head/CPU module, making sure that the upper and lower rails are hooked together.



Step 2: After aligning the I/O module side by side with the network module, push the I/O module until it touches the DIN rail. Next, apply more force until the module clips to the DIN rail.

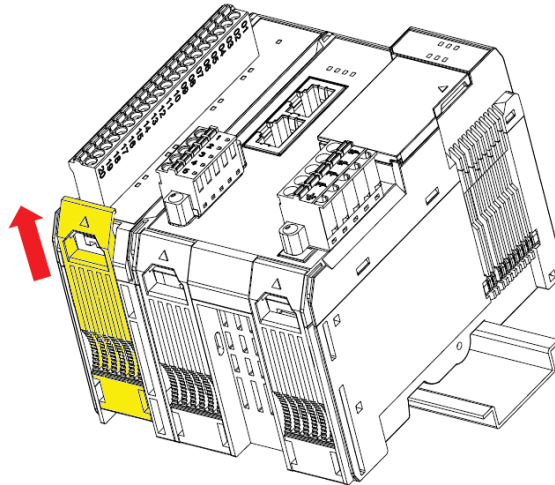


NOTE After the module is firmly attached to the DIN rail, the module connections to the internal bus will be established.

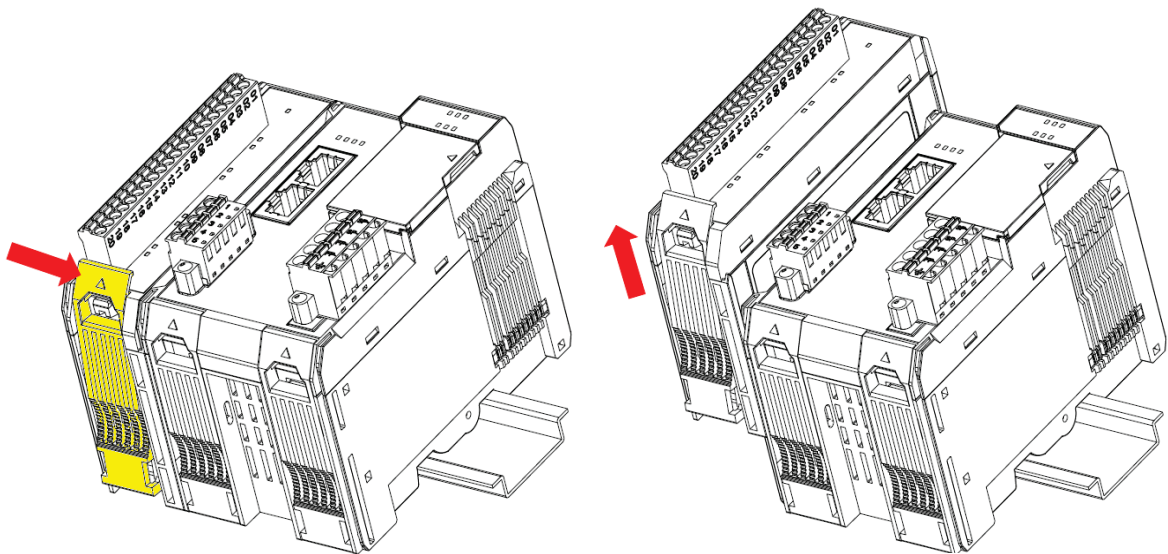
INFORMATION With the I/O module inserted in place, the internal bus will establish a connection through the adjacent module(s).

Unmounting the I/O Module from the DIN Rail

Step 1: Use your finger to lift the release tab on the lower part of the module.



Step 2: Push the top of the release tab to latch it, and then pull the module out.



NOTE Electrical connections for the internal bus will be disconnected when the module is removed.

NOTE The 45MR module can be installed on the right side of every ioThinx 4500 Series head/CPU module, whereas 45ML modules only can only be used with ioThinx 4500 series devices that have a communication bus on the left side of the head/CPU module. For example, ioThinx 4510 Series does not support the 45ML module.