

# IMモジュールシリーズ

## EDS-728/828シリーズ用の2ポートギガビットイーサネットと4ポート高速イーサネットモジュール



### 機能とメリット

- モジュール式の設計のため様々なメディアの組み合わせから選択することが可能
- モジュール式の設計によりポートの拡張が簡単

### 認証



## 製品紹介

IMモジュールシリーズは、MoxaのEDS-728シリーズとEDS-828シリーズのモジュール式スイッチのために設計されています。IMモジュールシリーズには、6つの高速イーサネットモジュールがあり、TX、MSC、SSC、MSTの各メディアタイプで4ポートをサポートしています。さらに、IMモジュールシリーズには、2つのギガビットイーサネットモジュールがあり、1つにはメタルポートが2つがあり、もう1つにはファイバーポートが2つあります。複数のモジュールをEDS-728とEDS-828のスイッチで使用でき、これにより各スイッチが最大24の高速イーサネットポートと4つのギガビットイーサネットポートをサポートできるようになっています。

## 仕様

### Ethernet Interface

10/100/1000BaseT(X) Ports (RJ45 connector)	IM-2GTX: 2, Auto negotiation speed, Auto MDI/MDI-X connection
1000BaseSFP Slots	IM-2GSFP: 2
10/100BaseT(X) Ports (RJ45 connector)	IM-2MSC/2TX, IM-2MST/2TX, IM-2SSC/2TX: 2 IM-1LSC/3TX: 3, IM-4TX: 4  Supported functions: Auto negotiation speed Full/Half duplex mode Auto MDI/MDI-X connection
100BaseFX Ports (multi-mode SC connector)	IM-2MSC/2TX: 2 IM-4MSC: 4
100BaseFX Ports (multi-mode ST connector)	IM-2MST/2TX: 2 IM-4MST: 4
100BaseFX Ports (single-mode SC connector)	IM-2SSC/2TX: 2 IM-4SSC: 4

100BaseFX Ports, Single-Mode SC Connector, 80 km	IM-1LSC/3TX: 1				
Optical Fiber			100BaseFX		
			Multi-Mode	Single-Mode	
	Fiber Cable Type	OM1	50/125 μm	G.652	
			800 MHz x km		
	Typical Distance		4 km	5 km	40 km
	Wavelength	Typical (nm)	1300		1310
		TX Range (nm)	1260 to 1360		1280 to 1340
		RX Range (nm)	1100 to 1600		1100 to 1600
	Optical Power	TX Range (dBm)	-10 to -20		0 to -5
		RX Range (dBm)	-3 to -32		-3 to -34
		Link Budget (dB)	12		29
		Dispersion Penalty (dB)	3		1
	<p>Note: When connecting a single-mode fiber transceiver, we recommend using an attenuator to prevent damage caused by excessive optical power.</p> <p>Note: Compute the “typical distance” of a specific fiber transceiver as follows:  Link budget (dB) &gt; dispersion penalty (dB) + total link loss (dB).</p>				

### LED Interface

LED Indicators	Fast Ethernet Modules: PWR, P1, P2, P3, P4 port status Gigabit Modules: Port status
----------------	----------------------------------------------------------------------------------------

### Power Parameters

Power Consumption	IM-1LSC/3TX: 2.12 W (max.) IM-2GSFP: 2.96 W (max.) IM-2GTX: 3.04 W (max.) IM-2MSC/2TX, IM-2MST/2TX, IM-2SSC/2TX: 2.06 W (max.) IM-4MSC, IM-4MST, IM-4SSC: 6.6 W (max.) IM-4TX: 1.29 W (max.)
-------------------	-------------------------------------------------------------------------------------------------------------------------------------------------------------------------------------------------------------

### Physical Characteristics

Housing	IP30
Dimensions	Fast Ethernet Modules: 40 x 127.8 x 100 mm (1.57 x 5.03 x 3.94 in) Gigabit Modules: 24 x 65.9 x 101.1 mm (0.94 x 2.59 x 3.98 in)
Weight	IM-1LSC/3TX: 235 g (0.52 lb) IM-2GSFP: 150 g (0.33 lb) IM-2GTX: 148 g (0.33 lb) IM-2MSC/2TX, IM-2SSC/2TX: 245 g (0.54 lb) IM-2MST/2TX, IM-4MSC: 250 g (0.56 lb) IM-4MST, IM-4SSC: 270 g (0.6 lb) IM-4TX: 215 g (0.48 lb)

### MTBF

Standards	Telcordia (Bellcore), GB
-----------	--------------------------

### Warranty

Warranty Period	5 years
Details	See <a href="http://www.moxa.com/jp/warranty">www.moxa.com/jp/warranty</a>

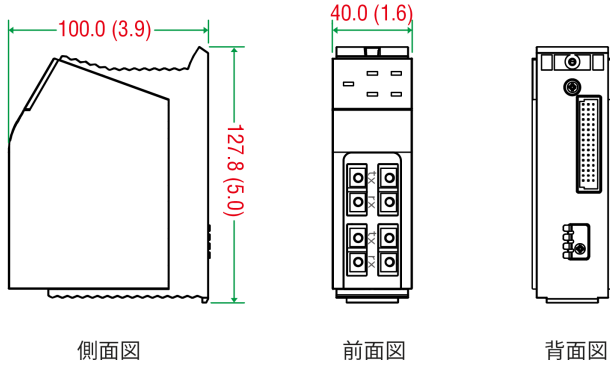
## Package Contents

Device	1 x IM Module Series module
Documentation	1 x warranty card

## 寸法

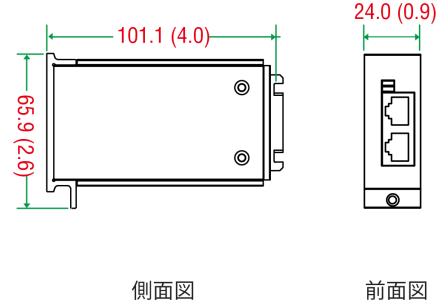
### Fast Ethernet Interface Modules

単位：mm（インチ）



### Gigabit Ethernet Interface Modules

単位：mm（インチ）



## 注文情報

Model Name	10/100/1000BaseT(X) Ports RJ45 Connector	1000Base SFP	10/100BaseT(X) Ports RJ45 Connector	100BaseFX Ports Multi-Mode SC Connector	100BaseFX Ports Multi-Mode ST Connector	100BaseFX Ports Single-Mode SC Connector	100BaseFX Ports Single-Mode SC Connector, 80 km
IM-2GTX	2	-	-	-	-	-	-
IM-2GSFP	-	2	-	-	-	-	-
IM-4TX	-	-	4	-	-	-	-
IM-4MSC	-	-	-	4	-	-	-
IM-4MST	-	-	-	-	4	-	-
IM-2MSC/2TX	-	-	2	2	-	-	-
IM-2MST/2TX	-	-	2	-	2	-	-
IM-4SSC	-	-	-	-	-	4	-
IM-2SSC/2TX	-	-	2	-	-	2	-
IM-1LSC/3TX	-	-	3	-	-	-	1

## アクセサリ（別売）

### SFP Modules

SFP-1G10ALC	WDM-type (BiDi) SFP module with 1 1000BaseSFP port with LC connector for 10 km transmission; TX 1310 nm, RX 1550 nm, 0 to 60°C operating temperature
SFP-1G10ALC-T	WDM-type (BiDi) SFP module with 1 1000BaseSFP port with LC connector for 10 km transmission; TX 1310 nm, RX 1550 nm, -40 to 85°C operating temperature
SFP-1G10BLC	WDM-type (BiDi) SFP module with 1 1000BaseSFP port with LC connector for 10 km transmission; TX 1550 nm, RX 1310 nm, 0 to 60°C operating temperature
SFP-1G10BLC-T	WDM-type (BiDi) SFP module with 1 1000BaseSFP port with LC connector for 10 km transmission; TX 1550 nm, RX 1310 nm, -40 to 85°C operating temperature
SFP-1G20ALC	WDM-type (BiDi) SFP module with 1 1000BaseSFP port with LC connector for 20 km transmission; TX 1310 nm, RX 1550 nm, 0 to 60°C operating temperature

SFP-1G20ALC-T	WDM-type (BiDi) SFP module with 1 1000BaseSFP port with LC connector for 20 km transmission; TX 1310 nm, RX 1550 nm, -40 to 85°C operating temperature
SFP-1G20BLC	WDM-type (BiDi) SFP module with 1 1000BaseSFP port with LC connector for 20 km transmission; TX 1550 nm, RX 1310 nm, 0 to 60°C operating temperature
SFP-1G20BLC-T	WDM-type (BiDi) SFP module with 1 1000BaseSFP port with LC connector for 20 km transmission; TX 1550 nm, RX 1310 nm, -40 to 85°C operating temperature
SFP-1G40ALC	WDM-type (BiDi) SFP module with 1 1000BaseSFP port with LC connector for 40 km transmission; TX 1310 nm, RX 1550 nm, 0 to 60°C operating temperature
SFP-1G40ALC-T	WDM-type (BiDi) SFP module with 1 1000BaseSFP port with LC connector for 40 km transmission; TX 1310 nm, RX 1550 nm, -40 to 85°C operating temperature
SFP-1G40BLC	WDM-type (BiDi) SFP module with 1 1000BaseSFP port with LC connector for 40 km transmission; TX 1550 nm, RX 1310 nm, 0 to 60°C operating temperature
SFP-1G40BLC-T	WDM-type (BiDi) SFP module with 1 1000BaseSFP port with LC connector for 40 km transmission; TX 1550 nm, RX 1310 nm, -40 to 85°C operating temperature
SFP-1GEZXC	SFP module with 1 1000BaseEZC port with LC connector for 110 km transmission, 0 to 60°C operating temperature
SFP-1GEZXC-120	SFP module with 1 1000BaseEZC port with LC connector for 120 km transmission, 0 to 60°C operating temperature
SFP-1GLHLC	SFP module with 1 1000BaseLH port with LC connector for 30 km transmission, 0 to 60°C operating temperature
SFP-1GLHLC-T	SFP module with 1 1000BaseLH port with LC connector for 30 km transmission, -40 to 85°C operating temperature
SFP-1GLHXC	SFP module with 1 1000BaseLHX port with LC connector for 40 km transmission, 0 to 60°C operating temperature
SFP-1GLHXC-T	SFP module with 1 1000BaseLHX port with LC connector for 40 km transmission, -40 to 85°C operating temperature
SFP-1GLSXC	SFP module with 1 1000BaseLSX port with LC connector for 500 m transmission, 0 to 60°C operating temperature
SFP-1GLSXC-T	SFP module with 1 1000BaseLSX port with LC connector for 500 m transmission, -40 to 85°C operating temperature
SFP-1GLXC	SFP module with 1 1000BaseLX port with LC connector for 10 km transmission, 0 to 60°C operating temperature
SFP-1GLXC-T	SFP module with 1 1000BaseLX port with LC connector for 10 km transmission, -40 to 85°C operating temperature
SFP-1GSXC	SFP module with 1 1000BaseSX port with LC connector for 300/550 m transmission, 0 to 60°C operating temperature
SFP-1GSXC-T	SFP module with 1 1000BaseSX port with LC connector for 300/550 m transmission, -40 to 85°C operating temperature
SFP-1GZXC	SFP module with 1 1000BaseZX port with LC connector for 80 km transmission, 0 to 60°C operating temperature
SFP-1GZXC-T	SFP module with 1 1000BaseZX port with LC connector for 80 km transmission, -40 to 85°C operating temperature

© Moxa Inc. All rights reserved. 2018年11月12日更新。

Moxa Inc.の明白な許可を書面で取得しない限り、本書およびその一部の複製や使用はいかなる方法やいかなる場合でも許可されません。製品の仕様は予告なく変更されることがあります。最新の製品情報については当社のWebサイトをご覧ください。