

# TN-5305 系列

## EN 50155 5 埠 IP67 非網管型乙太網路交換器



### 特色與優點

- 10/100BaseT(X)、4 針 M12 ( D 型 )、全 / 半雙工模式，以及自動 MDI/MDI-X 連線
- IP67 等級外殼保護
- 電源輸入：12 至 45 VDC、18 至 30 VAC
- 符合所有 EN 50155 標準強制性測試項目<sup>1</sup>
- 支援 -40 至 75°C 的操作溫度

### 認證



EN 50155



EN 50121-4



### 簡介

TN-5305 系列乙太網路交換器達到 IP67 等級，適合嚴苛的工業應用。透過 M12 接頭，可確保乙太網路線緊密的接在交換器上，足以保護您的應用免於外部干擾，例如在交通運輸業中所遇到的震動和衝擊。

體積小巧的 TN-5305 交換器幾乎可以安裝在任何地方，寬溫（-40 至 75°C）的型號也可用於最極端的氣候條件下。TN-5305 系列乙太網路交換器部分符合 EN 50155 規格，涵蓋操作溫度、電源輸入電壓、突波、ESD 和震動，使此交換器適用於多種的工業應用。

### 規格

#### Ethernet Interface

10/100BaseT(X) Ports (M12 D-coded 4-pin female connector)	5
Standards	IEEE 802.3 for 10BaseT IEEE 802.3u for 100BaseT(X) IEEE 802.3x for flow control

#### Power Parameters

Input Current	0.1 A @ 24 VDC, 0.08 A @ 36 VDC
Input Voltage	18 to 30 VAC (47 to 63 Hz), 24 to 36 VDC
Inrush Current (Max.)	0.28 A @ 24 VDC
No. of Power Inputs	1
Operating Voltage	18 to 30 VAC 12 to 45 VDC
Power Connector	M12 A-coded male connector

#### Physical Characteristics

Housing	Plastic top cover, metal bottom plate
IP Rating	IP67

1. 此產品適合用於符合 EN 50155 標準的軌道車輛應用。若需更詳細的說明，請參照：[www.moxa.com/doc/specs/EN\\_50155\\_Compliance.pdf](http://www.moxa.com/doc/specs/EN_50155_Compliance.pdf)

Dimensions	60 x 125 x 29.6 mm (2.36 x 4.92 x 1.09 in)
Weight	Packaged: 270 g (0.56 lb)
Installation	DIN-rail mounting (with optional kit), Wall mounting

#### Environmental Limits

Operating Temperature	TN-5305: -25 to 60°C (-13 to 140°F) TN-5305-T: -40 to 75°C (-40 to 167°F)
Storage Temperature (package included)	-40 to 85°C (-40 to 185°F)
Ambient Relative Humidity	5 to 95% (non-condensing)
Altitude	2000 m

#### Standards and Certifications

Freefall	IEC 60068-2-32
EMC	EN 55032/24
EMI	CISPR 32, FCC Part 15B Class A
EMS	IEC 61000-4-2 ESD: Contact: 6 kV; Air: 8 kV IEC 61000-4-3 RS: 80 MHz to 1 GHz: 20 V/m IEC 61000-4-4 EFT: Power: 2 kV; Signal: 2 kV IEC 61000-4-5 Surge: Power: 2 kV; Signal: 2 kV IEC 61000-4-6 CS: 10 V IEC 61000-4-8 PFMF
Environmental Testing	IEC 60068-2-1, EN 50155 IEC 60068-2-14, EN 50155 IEC 60068-2-2, EN 50155 IEC 60068-2-30, EN 50155
International Approval	RCM
Railway	EN 50121-4, EN 50155
Railway Fire Protection	EN 45545-2
Safety	EN 60950-1, UL 508
Salt Spray Test	IEC 60068-2-11, EN 50155
Shock	IEC 60068-2-27, IEC 61373, EN 50155
Vibration	IEC 60068-2-64, IEC 61373, EN 50155

#### Declaration

Green Product	RoHS, CRoHS, WEEE
---------------	-------------------

#### MTBF

Time	3,451,678 hrs
Standards	Telcordia SR332

#### Warranty

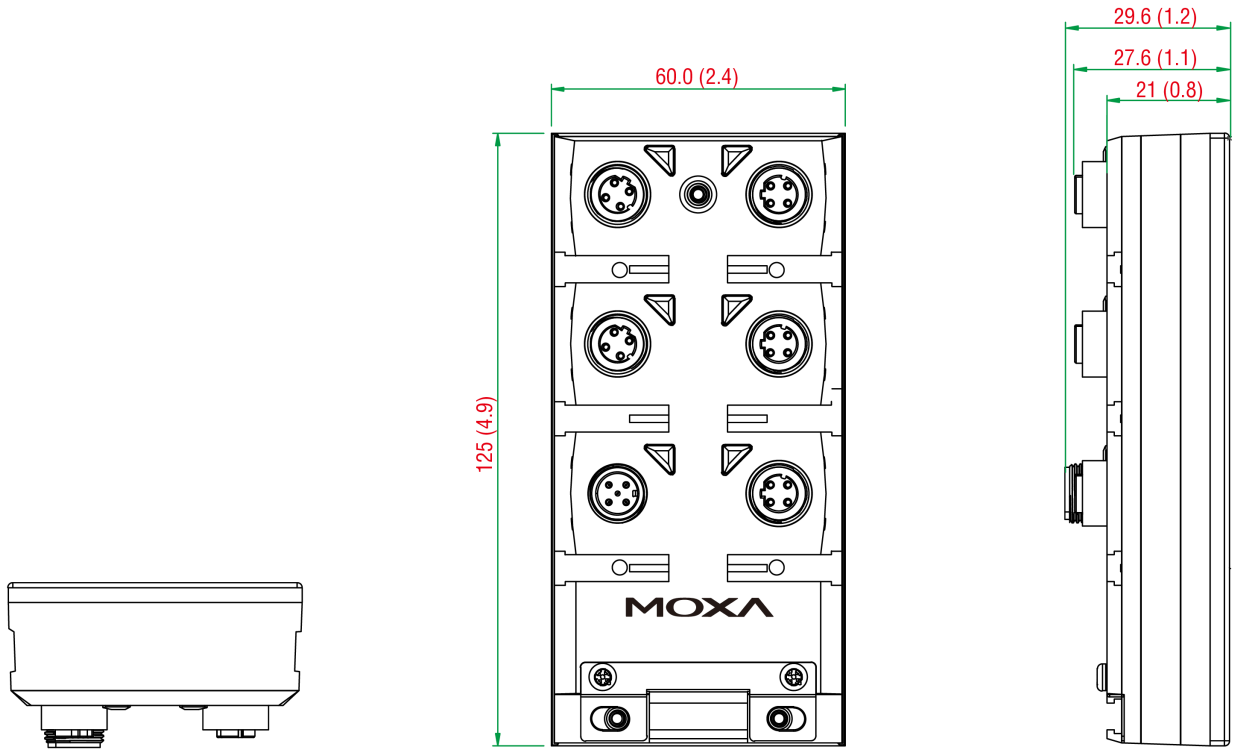
Warranty Period	5 years
Details	See <a href="http://www.moxa.com/tw/warranty">www.moxa.com/tw/warranty</a>

## Package Contents

Device	1 x TN-5305 Series switch
Installation Kit	1 x panel-mounting kit
Documentation	1 x quick installation guide 1 x warranty card

## 尺寸

單位：公釐（英吋）



Top View

Front View

Side View

## 訂購資訊

Model Name	PoE, 10/100BaseT(X) Ports, M12 D-Coded Female Connector	10/100BaseT(X) Ports, M12 D-Coded Female Connector	Power Input	Input Voltage	Operating Temp.
TN-5305	-	5	Single input	24/36 VDC, 18 to 30 VAC	-25 to 60°C
TN-5305-T	-	5	Single input	24/36 VDC, 18 to 30 VAC	-40 to 75°C

## 配件（選購）

### Cables

CBL-M12(FF5P)/Open-100 IP67	A-coded M12-to-5-pin power cable, IP67-rated 5-pin female M12 connector, 1 m
CBL-M12D(MM4P)/RJ45-100 IP67	M12-to-RJ45 cable, IP67-rated, 1 m

### M12 Connector Caps

A-CAP-M12F-M	Metal cap for M12 female connector
--------------	------------------------------------

A-CAP-M12M-M	Metal cap for M12 male connector
--------------	----------------------------------

### Connectors

M12D-4PMM-IP67	M12 D-coded connector, QUICKON type, 4-pin male, IP67
M12D-4P-IP68	M12 D-coded screw-in sensor connector, male, IP68

### DIN-Rail Mounting Kits

DK-M12-305	DIN-rail mounting kit for EDS-305-M12
------------	---------------------------------------

© Moxa Inc. 版權所有. 2018 年 10 月 12 日更新。

未經 Moxa Inc. 明確書面許可，不得以任何方式複製或使用本文件及其任何部分。產品規格如有變更，恕不另行通知。請至本公司官網了解最新的產品資訊。