

VPort 26A-1MP Series

HD, IP66, vandal-proof, day and night, fixed dome IP cameras



Features and Benefits

- -40 to 50°C or -40 to 75°C (T model) operating temperature, without a heater or fan
- 1/2.7" progressive scan camera with maximum 1280 x 800 resolution at up to 30 fps
- DNR and WDR for superb image quality
- Triple video streams with H.264 and MJPEG
- 3 to 9 mm day-and-night varifocal lens with a built-in ICR (removable IR-cut filter ICR)
- DynaStream™ for optimized network efficiency
- CBR Pro™ for high image quality in limited bandwidth transmissions
- ONVIF support for standardization and interoperability

Certifications



Introduction

The VPort 26A-1MP is an IK10, IP66-rated, fixed dome HD IP camera with a maximum resolution of 1280 x 800, H.264/MJPEG triple video streams, and day-and-night camera lens. These robust features make it particularly suitable for harsh, outdoor environments.

Specifications

Memory

SD Slot	SDHC
---------	------

Input/Output Interface

Digital Input Channels	1
Digital Inputs	+13 to +30 V for state 1 -30 to +1 V for state 0 Max. input current: 8 mA
Relay Channels	1
Contact Current Rating	Resistive load: 1 A @ 24 VDC
Connector	Terminal block

Ethernet Interface

10/100BaseT(X) Ports (RJ45 connector)	1
Standards	VPort P26A-1MP Series: IEEE 802.3af for PoE

Ethernet Software Features

Protocols	TCP/IP, IPv4, UDP, HTTP, RTP/RTSP, ARP, UPnP, FTP, TFTP, SMTP, NTP Client, DNS, DDNS, QoS, IGMP v3, ICMP, SNMPv1/v2c/v3, Modbus TCP, HTTPS, 802.1X
-----------	--

Security Functions

Password	User-level password protection
Filter	IP address
Authentication	802.1X
Encryption	HTTPS

LED Interface

LED Indicators	STAT: Indicates if the system is booted properly or not Power: Power on/off Network: 10 Mbps or 100 Mbps One dip switch to turn the LED light on/off
----------------	---

Power Parameters

No. of Power Inputs	1
Source of Input Power	VPort P26A-1MP Series: PoE (IEEE 802.3af)
Input Voltage	VPort 26A-1MP Series: 12/24 VDC, 24 VAC
Input Current	VPort 26A-1MP Series: 0.5 A @ 12 VDC, 0.23 A @ 24 VAC VPort P26A-1MP Series: 0.18 A @ 48 VDC
Power Connector	VPort 26A-1MP Series: 2-pin terminal block

Camera Characteristics

Sensor	1/2.7-in HD progressive scan CMOS
Lens	3X zoom: f=3 mm (wide) to 9 mm (tele), F1.2 to F2.3 Horizontal angle of view: 112° to 35° Vertical angle of view: 58° to 20° Diagonal angle of view: 40° to 115°
Minimum Illumination	Color: 0.2 lux, at F1.2 (Gain High, 50 IRE, 1/30 sec) B/W: 0.05 lux, at F1.2 (Gain High, 50 IRE, 1/30 sec)
Day & Night	Auto/Color/BW; ICR control
Synchronization	Internal
White Balance	ATW/AWB
Electronic Shutter	Auto, Fixed (1/30 to 1/25000 sec)
S/N Ratio	Maximum 50 dB (AGC off; DNR on)
ICR Control	Auto (light sensor control) or DI control
DNR (digital noise reduction)	Built-in 2D/3D DNR
WDR (wide dynamic range)	110 dB
Flickerless Control	Automatic, 50 Hz, 60 Hz modes
Image Rotation	Flip, Mirror, and 180° rotation
Image Setting	Manual tuning with saturation, sharpness, and contrast
AGC (auto gain control)	2X, 4X, 8X, 16X, 32X, 64X
BLC (back light compensation)	High/Medium/Low

IRIS	Auto, DC Drive																																																						
Camera Angle	Pan: $\pm 175^\circ$, Tilt: 0° to 85° , Rotation: pan $\pm 180^\circ$ (controlled manually)																																																						
Video Interface																																																							
Video Compression	H.264 (ISO/IEC 14496-10) or MJPEG																																																						
Video Output	via Ethernet																																																						
Video Streams	3 independent H.264 or MJPEG video streams																																																						
NTSC/PAL	Auto-sensing or manual																																																						
Video Resolution and FPS (frames per second)	<table border="1"> <thead> <tr> <th rowspan="2"></th> <th colspan="2">NTSC</th> <th colspan="2">PAL</th> </tr> <tr> <th>Size</th> <th>Max. FPS</th> <th>Size</th> <th>Max. FPS</th> </tr> </thead> <tbody> <tr> <td>QCIF</td> <td>176 x 112</td> <td>30</td> <td>176 x 144</td> <td>25</td> </tr> <tr> <td>QVGA</td> <td>320 x 240</td> <td>30</td> <td>320 x 240</td> <td>25</td> </tr> <tr> <td>CIF</td> <td>352 x 240</td> <td>30</td> <td>352 x 288</td> <td>25</td> </tr> <tr> <td>VGA</td> <td>640 x 480</td> <td>30</td> <td>640 x 480</td> <td>25</td> </tr> <tr> <td>4CIF</td> <td>704 x 480</td> <td>30</td> <td>704 x 576</td> <td>25</td> </tr> <tr> <td>Full D1</td> <td>720 x 480</td> <td>30</td> <td>720 x 576</td> <td>25</td> </tr> <tr> <td>SVGA</td> <td>800 x 600</td> <td>30</td> <td>800 x 600</td> <td>25</td> </tr> <tr> <td>HD</td> <td>1280 x 720</td> <td>30</td> <td>1280 x 720</td> <td>25</td> </tr> <tr> <td>WXGA</td> <td>1280 x 800</td> <td>30</td> <td>1280 x 800</td> <td>25</td> </tr> </tbody> </table> <p>Note: Multiple streams may not support up to 30 FPS.</p>		NTSC		PAL		Size	Max. FPS	Size	Max. FPS	QCIF	176 x 112	30	176 x 144	25	QVGA	320 x 240	30	320 x 240	25	CIF	352 x 240	30	352 x 288	25	VGA	640 x 480	30	640 x 480	25	4CIF	704 x 480	30	704 x 576	25	Full D1	720 x 480	30	720 x 576	25	SVGA	800 x 600	30	800 x 600	25	HD	1280 x 720	30	1280 x 720	25	WXGA	1280 x 800	30	1280 x 800	25
	NTSC		PAL																																																				
	Size	Max. FPS	Size	Max. FPS																																																			
QCIF	176 x 112	30	176 x 144	25																																																			
QVGA	320 x 240	30	320 x 240	25																																																			
CIF	352 x 240	30	352 x 288	25																																																			
VGA	640 x 480	30	640 x 480	25																																																			
4CIF	704 x 480	30	704 x 576	25																																																			
Full D1	720 x 480	30	720 x 576	25																																																			
SVGA	800 x 600	30	800 x 600	25																																																			
HD	1280 x 720	30	1280 x 720	25																																																			
WXGA	1280 x 800	30	1280 x 800	25																																																			
Video Viewing	DynaStream™ support for changing the video frame rate automatically CBR Pro™ for good image quality in limited bandwidth transmissions 3 privacy mask areas provided Adjustable image size and quality Timestamp and text overlay Maximum of 5 simultaneous unicast connections, 50 multicast clients																																																						
Audio Interface																																																							
Audio Inputs	1 x line-in with 2-pin terminal block connector																																																						
Audio Outputs	1 x line-out with 2-pin terminal block connector																																																						
Audio Format	Mono, PCM (G.711)																																																						
Camera Software Development																																																							
VPort SDK PLUS	Includes CGI commands, ActiveX Control, and API library for customized applications or system integration for third-party developers.																																																						
Video Standards	ONVIF Profile S																																																						
Camera Alarm Software Features																																																							
Intelligent Video	Camera tampering detection																																																						
Video Motion Detection	3 independently configurable areas																																																						
Scheduling	Daily repeat timing schedule																																																						
Imaging	JPEG snapshots for pre/trigger/post alarm images																																																						
Custom Alarms	HTTP event servers for setting customized alarm actions																																																						

Email/FTP Messaging	Automatic transfer of stored images via email or FTP as event-triggered actions
Pre-Alarm Buffer	24 MB video buffer for JPEG snapshot images
Software Requirements	
Memory Size	1 GB
Operating System	Windows 7 or above
Browser	Internet Explorer 9.x or above
Multimedia	DirectX 9.0C or above
Physical Characteristics	
Housing	IP66 rain and dust protection IK10 vandal-resistant support Metal housing, PC dome cover Transparent PC cover
Dimensions	149 x 120 mm (5.86 x 4.72 in)
Weight	1390 g (3.06 lb)
Installation	Panel mounting, Wall mounting (with optional kit), Corner mounting (with optional kit)
Environmental Limits	
Operating Temperature	Standard Models: -40 to 50°C (-40 to 122°F) Wide Temp. Models: -40 to 75°C (-40 to 167°F)
Storage Temperature (package included)	-40 to 85°C (-40 to 185°F)
Ambient Relative Humidity	5 to 95% (non-condensing)
Ingress Protection	IEC 60529, IP66
Vandal Resistance	EN 62262, IK10
Altitude	2000 m
Standards and Certifications	
EMI	CISPR 32, FCC Part 15B Class A
EMS	IEC 61000-4-2 ESD: Contact: 6 kV; Air: 8 kV IEC 61000-4-3 RS: 80 MHz to 1 GHz: 20 V/m IEC 61000-4-4 EFT: Power: 2 kV; Signal: 2 kV IEC 61000-4-5 Surge: Power: 2 kV; Signal: 2 kV IEC 61000-4-6 CS: 10 V IEC 61000-4-8 PFMF
Railway	EN 50121-4
Freefall	IEC 60068-2-31
Safety	UL 60950-1
Shock	IEC 60068-2-27
Vibration	IEC 60068-2-6
MTBF	
Time	201,721 hrs
Standards	Telcordia SR332

Warranty

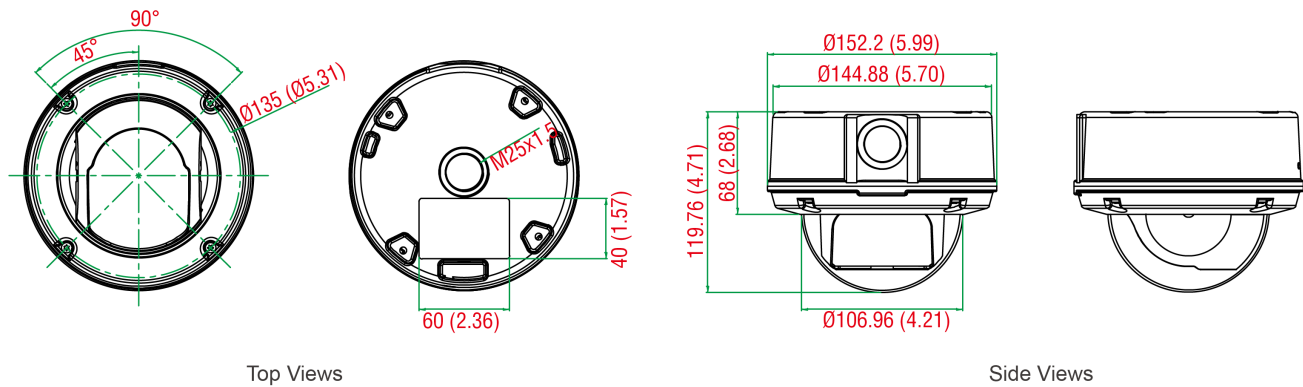
Warranty Period	5 years Note: Limited warranty on moving parts; see Moxa's online warranty policy for details.
Details	See www.moxa.com/warranty

Package Contents

Device	1 x VPort 26A-1MP Series camera
Installation Kit	1 x terminal block, 9-pin 1 x terminal block, 2-pin 1 x sticker 1 x L-type Torx screwdriver 4 x self-tapping screws and anchors 1 x IP66 cable gland
Documentation	1 x document and software CD 1 x quick installation guide 1 x warranty card

Dimensions

Unit: mm (inch)



Top Views

Side Views

Ordering Information

Model Name	Lens	Audio Interface	Local Storage	Power Input	Operating Temp.	Mounting
VPort 26A-1MP	3-9 mm	1 x line-in, 1 x line-out	SD slot, SDHC interface	12/24 VDC, 24 VAC	-40 to 50°C	Panel mount or wall/pole mount (- with optional kit)
VPort P26A-1MP	3-9 mm	1 x line-in, 1 x line-out	SD slot, SDHC interface	PoE	-40 to 50°C	Panel mount or wall/pole mount (- with optional kit)
VPort 26A-1MP-T	3-9 mm	1 x line-in, 1 x line-out	SD slot, SDHC interface	12/24 VDC, 24 VAC	-40 to 75°C	Panel mount or wall/pole mount (- with optional kit)
VPort P26A-1MP-T	3-9 mm	1 x line-in, 1 x line-out	SD slot, SDHC interface	PoE	-40 to 75°C	Panel mount or wall/pole mount (- with optional kit)

Accessories (sold separately)

Illuminators

VP-IR26080	Infrared LED illuminator 60°, 850 nm, 12 VDC, up to 50 m
------------	--

Camera Mounting Kits

VP-DP02	15 g dry pack with hook-and-loop fastener
---------	---

VP-MK2	Mounting kit for mounting the VPort 26 onto straight tube (VP-520HB) and pendant (VP-520L)
VP-520L	Wall-mounting kit for the VPort 26
VP-520HB	Pendant-mounting kit for mounting a dome camera to a ceiling (with 30 cm straight tube)
VP-CPM	Pole/corner-mounting kit for the VPort 26 (with VP-520L)

© Moxa Inc. All rights reserved. Updated Nov 12, 2018.

This document and any portion thereof may not be reproduced or used in any manner whatsoever without the express written permission of Moxa Inc. Product specifications subject to change without notice. Visit our website for the most up-to-date product information.