

# AWK-1161C 系列

## 入門級單連接埠工業 IEEE 802.11ax 無線用戶端



### 特色與優點

- 高速 IEEE 802.11ax Wi-Fi
- 可選雙頻 Wi-Fi 模式，資料速率高達 1,201 Mbps
- 此用最新的 WPA3 加密技術，增強了無線網路的安全性
- 具有可設定國家或地區代碼的通用(UN) 型號，實現更為靈活的部署方式
- 透過網路位址轉譯 (NAT) 輕鬆設定網路
- 毫秒等級的用戶端 Turbo Roaming 漫遊
- 內建 2.4 GHz 和 5 GHz 帶通濾波器，實現更可靠的無線連接
- -40 至 75°C 寬操作溫度範圍 ( -T 型號 )
- 整合式天線隔離

### 認證



### 簡介

AWK-1161C 系列工業無線用戶端旨在透過 IEEE 802.11ax (Wi-Fi 6) 技術滿足高密度部署場景中對高效資料傳輸的日益增長的需求。AWK-1161C 在操作溫度、電源輸入電壓、突波、ESD 和震動等方面符合工業標準和規定。小巧的外型可採用 DIN 軌道或壁掛支架安裝，從而輕鬆安裝到工業機器或控制櫃中，提供可靠的無線連接。AWK-1161C 可以在 2.4 或 5 GHz 頻段上運作，並與現有的 802.11a/b/g/n/ac 布署相容，以確保您投資部署的無線設施能夠應對未來的需求。

### 先進 802.11ac 工業無線解決方案

- 符合 802.11ax Wi-Fi 6 標準的用戶端，與 Wi-Fi 4/Wi-Fi 5 相容，實現靈活部署
- DFS 頻道支援提供更廣泛的 5 GHz 頻道選擇，避免現有無線基礎設施的干擾
- Wi-Fi 6 OFDMA ( 正交分頻多重連接 ) 技術可實現與多個用戶端的並發通訊，從而提高網路效率
- Wi-Fi 6 TWT ( 目標喚醒時間 ) 技術有助於更好地排程，從而延長裝置的電池續航時間

### 先進無線技術

- 基於用戶端的 Turbo Roaming 快速漫遊，達到無縫漫遊的目的，在 AP 間的漫遊復原時間 < 150 毫秒

### 工業級耐用性

- 整合式天線隔離設計可針對外部電氣干擾提供保護
- -40 至 75°C 的寬廣操作溫度型號 (-T) 可在惡劣環境中提供順暢的無線通訊

### 規格

#### WLAN Interface

WLAN Standards	2.4 GHz: 802.11ax with 1024 QAM support, 20/40 MHz 5 GHz: 802.11ax with 1024 QAM support, 20/40/80 MHz
Frequency Band for US (20 MHz operating channels)	AWK-1161C-US models only: 2.412 to 2.462 GHz (11 channels)

1. 此處所指的 Turbo Roaming 快速漫遊復原時間是在最佳狀態下，配置無干擾 20 MHz RF 頻道、WPA2-PSK 安全性和預設的 Turbo Roaming 快速漫遊參數，所得到的測試結果平均值。用戶端設定為在 100 Kbps 流量負載下 3 個頻道漫遊。其他情況也有可能影響漫遊的效能。若想了解更多關於 Turbo Roaming 快速漫遊的參數設定，請參閱產品手冊。

	5.180 to 5.240 GHz (4 channels) 5.260 to 5.320 GHz (4 channels) <sup>2</sup> 5.500 to 5.700 GHz (11 channels) 5.745 to 5.825 GHz (5 channels)
Frequency Band for UN (20 MHz operating channels)	AWK-1161C-UN models only: 2.412 to 2.472 GHz (13 channels) 5.180 to 5.240 GHz (4 channels) 5.260 to 5.320 GHz (4 channels) <sup>2</sup> 5.500 to 5.700 GHz (11 channels) 5.745 to 5.825 GHz (5 channels) Available channels change depending on the selected country or region code.
Wireless Security	WEP encryption (64-bit and 128-bit) WPA/WPA2/WPA3-Enterprise (IEEE 802.1X/RADIUS, TKIP, AES) WPA/WPA2/WPA3-Personal
Transmission Rate	2.4 GHz: Up to 573.5 Mbps  5 GHz: Up to 1,201 Mbps
Transmitter Power for 802.11a (Dual Chain)	18±1.5 dBm @ 6 Mbps 18±1.5 dBm @ 54 Mbps
Transmitter Power for 802.11n (5 GHz, Dual Chain)	18±1.5 dBm @ MCS0 20 MHz 18±1.5 dBm @ MCS7 20 MHz 18±1.5 dBm @ MCS0 40 MHz 18±1.5 dBm @ MCS7 40 MHz
Transmitter Power for 802.11ac (Dual Chain)	18±1.5 dBm @ MCS0 20 MHz 18±1.5 dBm @ MCS8 20 MHz 18±1.5 dBm @ MCS0 40 MHz 18±1.5 dBm @ MCS9 40 MHz 18±1.5 dBm @ MCS0 80 MHz 18±1.5 dBm @ MCS9 80 MHz
Transmitter Power for 802.11ax (Dual Chain)	18±1.5 dBm @ MCS0 20 MHz 17±1.5 dBm @ MCS11 20 MHz 18±1.5 dBm @ MCS0 40 MHz 17±1.5 dBm @ MCS11 40 MHz 18±1.5 dBm @ MCS0 80 MHz 17±1.5 dBm @ MCS11 80 MHz
Transmitter Power for 802.11b (Dual Chain)	18±1.5 dBm @ 1 Mbps 18±1.5 dBm @ 11 Mbps
Transmitter Power for 802.11g (Dual Chain)	18±1.5 dBm @ 6 Mbps 18±1.5 dBm @ 54 Mbps
Transmitter Power for 802.11n (2.4 GHz, Dual Chain)	18±1.5 dBm @ MCS0 20 MHz 18±1.5 dBm @ MCS7 20 MHz 18±1.5 dBm @ MCS0 40 MHz 18±1.5 dBm @ MCS7 40 MHz
Transmitter Power for 802.11ac (2.4 GHz, Dual Chain)	18±1.5 dBm @ MCS0 20 MHz 18±1.5 dBm @ MCS8 20 MHz 18±1.5 dBm @ MCS0 40 MHz 18±1.5 dBm @ MCS7 40 MHz
Transmitter Power for 802.11ax (2.4 GHz, Dual Chain)	18±1.5 dBm @ MCS0 20 MHz 18±1.5 dBm @ MCS11 20 MHz 18±1.5 dBm @ MCS0 40 MHz 18±1.5 dBm @ MCS11 40 MHz
Receiver Sensitivity for 802.11a (measured at 5.680 GHz)	Typ. -88 @ 6 Mbps Typ. -72 @ 54 Mbps

2. DFS (動態頻率選擇) 頻道支援：在 AP 模式下，當設備偵測到一個雷達信號，會自動切換到另一個頻道。然而，根據規定，當頻道切換後，若要重啟服務，需要 60 秒的可用性檢查期。

Receiver Sensitivity for 802.11n (5 GHz; measured at 5.680 GHz)	Typ. -88 dBm @ MCS0 20 MHz Typ. -68 dBm @ MCS7 20 MHz Typ. -84 dBm @ MCS0 40 MHz Typ. -66 dBm @ MCS7 40 MHz
Receiver Sensitivity for 802.11ac (5 GHz)	Typ. -88 dBm @ MCS0 20 MHz Typ. -65 dBm @ MCS8 20 MHz Typ. -85 dBm @ MCS0 40 MHz Typ. -60 dBm @ MCS9 40 MHz Typ. -81 dBm @ MCS0 80 MHz Typ. -55 dBm @ MCS9 80 MHz
Receiver Sensitivity for 802.11ax (5 GHz)	Typ. -88 dBm @ MCS0 20 MHz Typ. -59 dBm @ MCS11 20 MHz Typ. -85 dBm @ MCS0 40 MHz Typ. -56 dBm @ MCS11 40 MHz Typ. -81 dBm @ MCS0 80 MHz Typ. -52 dBm @ MCS11 80 MHz
Receiver Sensitivity for 802.11b (measured at 2.437 GHz)	Typ. -96 dBm @ 1 Mbps Typ. -88 dBm @ 11 Mbps
Receiver Sensitivity for 802.11g (measured at 2.437 GHz)	Typ. -90 dBm @ 6 Mbps Typ. -74 dBm @ 54 Mbps
Receiver Sensitivity for 802.11n (2.4 GHz; measured at 2.437 GHz)	Typ. -90 dBm @ MCS0 20 MHz Typ. -70 dBm @ MCS7 20 MHz Typ. -87 dBm @ MCS0 40 MHz Typ. -69 dBm @ MCS7 40 MHz
Receiver Sensitivity for 802.11ac (2.4 GHz)	Typ. -90 dBm @ MCS0 20 MHz Typ. -66 dBm @ MCS6 20 MHz Typ. -87 dBm @ MCS0 40 MHz Typ. -63 dBm @ MCS9 40 MHz
Receiver Sensitivity for 802.11ax (2.4 GHz)	Typ. -90 dBm @ MCS0 20 MHz Typ. -59 dBm @ MCS11 20 MHz Typ. -87 dBm @ MCS0 40 MHz Typ. -56 dBm @ MCS11 40 MHz
WLAN Operation Mode	Client Client-Router Slave Sniffer
Antenna	External, 2/2 dBi Omni-directional
Antenna Connectors	2 RP-SMA female

### Ethernet Interface

Standards	IEEE 802.3 for 10BaseT IEEE 802.3u for 100BaseT(X) IEEE 802.3ab for 1000BaseT(X) IEEE 802.3az for Energy-Efficient Ethernet IEEE 802.1Q for VLAN Tagging IEEE 802.1X for authentication
10/100/1000BaseT(X) Ports (RJ45 connector)	1

## Ethernet Software Features

Management	DHCP Server DHCP Client DNS HTTP IPv4 LLDP SMTP SNMPv1/v2c/v3 Syslog TCP/IP Telnet UDP VLAN MXconfig
Routing	Port forwarding Static Route NAT
Security	HTTPS/SSL RADIUS SSH Certificate Management
Time Management	SNTP Client

## Firewall

Filter	ICMP MAC address IP protocol Port-based Wi-Fi ACL
--------	---

## Serial Interface

Console Port	RS-232 8-pin RJ45
--------------	----------------------

## USB Interface

Storage Port	USB Type A
--------------	------------

## LED Interface

LED Indicators	PWR, WLAN, SYSTEM
----------------	-------------------

## Input/Output Interface

Buttons	Reset button
---------	--------------

## Physical Characteristics

Housing	Metal
IP Rating	IP30
Dimensions	AWK-1161C models: 60 x 100 x 34.2 mm (2.36 x 3.94 x 1.35 in) AWK-1161C-T models: 60 x 100 x 47.2 mm (2.36 x 3.94 x 1.86 in)
Weight	AWK-1161C models: 330 g (0.73 lb) AWK-1161C-T models: 387.5 g (0.85 lb)
Installation	DIN-rail mounting Wall mounting (with optional kit)

## Power Parameters

Input Current	9 to 30 VDC, 1.57 to 0.47 A
Input Voltage	9 to 30 VDC

Power Connector	1 removable 3-contact terminal block(s)
Power Consumption	14 W (max.)

### Environmental Limits

Operating Temperature	Standard Models: -25 to 60°C (-13 to 140°F) Wide Temp. Models: -40 to 75°C (-40 to 167°F)
Storage Temperature (package included)	-40 to 85°C (-40 to 185°F)
Ambient Relative Humidity	5 to 95% (non-condensing)

### Standards and Certifications

EMC	EN 61000-6-2/-6-4 EN 55032/35
EMI	CISPR 32, FCC Part 15B Class A
EMS	IEC 61000-4-2 ESD: Contact: 8 kV; Air: 15 kV IEC 61000-4-3 RS: 80 MHz to 1 GHz: 10 V/m IEC 61000-4-4 EFT: Power: 2 kV; Signal: 1 kV IEC 61000-4-5 Surge: Power: 2 kV; Signal: 1 kV IEC 61000-4-6 CS: 10 V/m IEC 61000-4-8 PFMF: 30 A/m
Road Vehicles	E mark E1
Safety	IEC 62368-1 UL 62368-1
Vibration	IEC 60068-2-6
Radio	EN 300 328, EN 301 489-1/17, EN 301 893, ANATEL, FCC, MIC, NCC, RCM, SRRC, WPC, KC, NBTC, IC

### MTBF

Time	4,002,106 hrs
Standards	Telcordia SR332

### Warranty

Warranty Period	5 years
Details	See <a href="http://www.moxa.com/tw/warranty">www.moxa.com/tw/warranty</a>

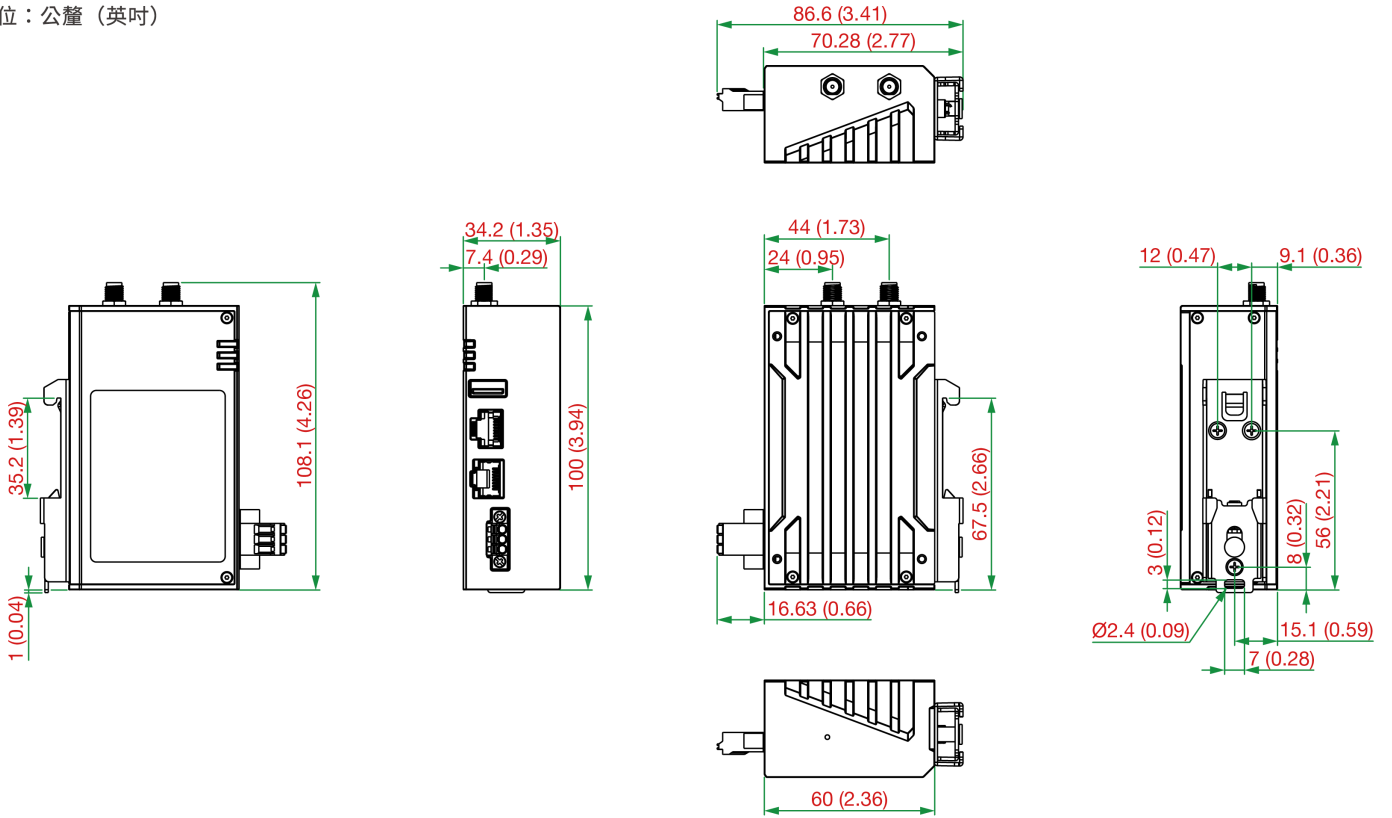
### Package Contents

Device	1 x AWK-1161C Series wireless client
Installation Kit	1 x DIN-rail kit
Antenna	2 x 2.4/5 GHz antenna
Documentation	1 x quick installation guide 1 x warranty card

# 尺寸

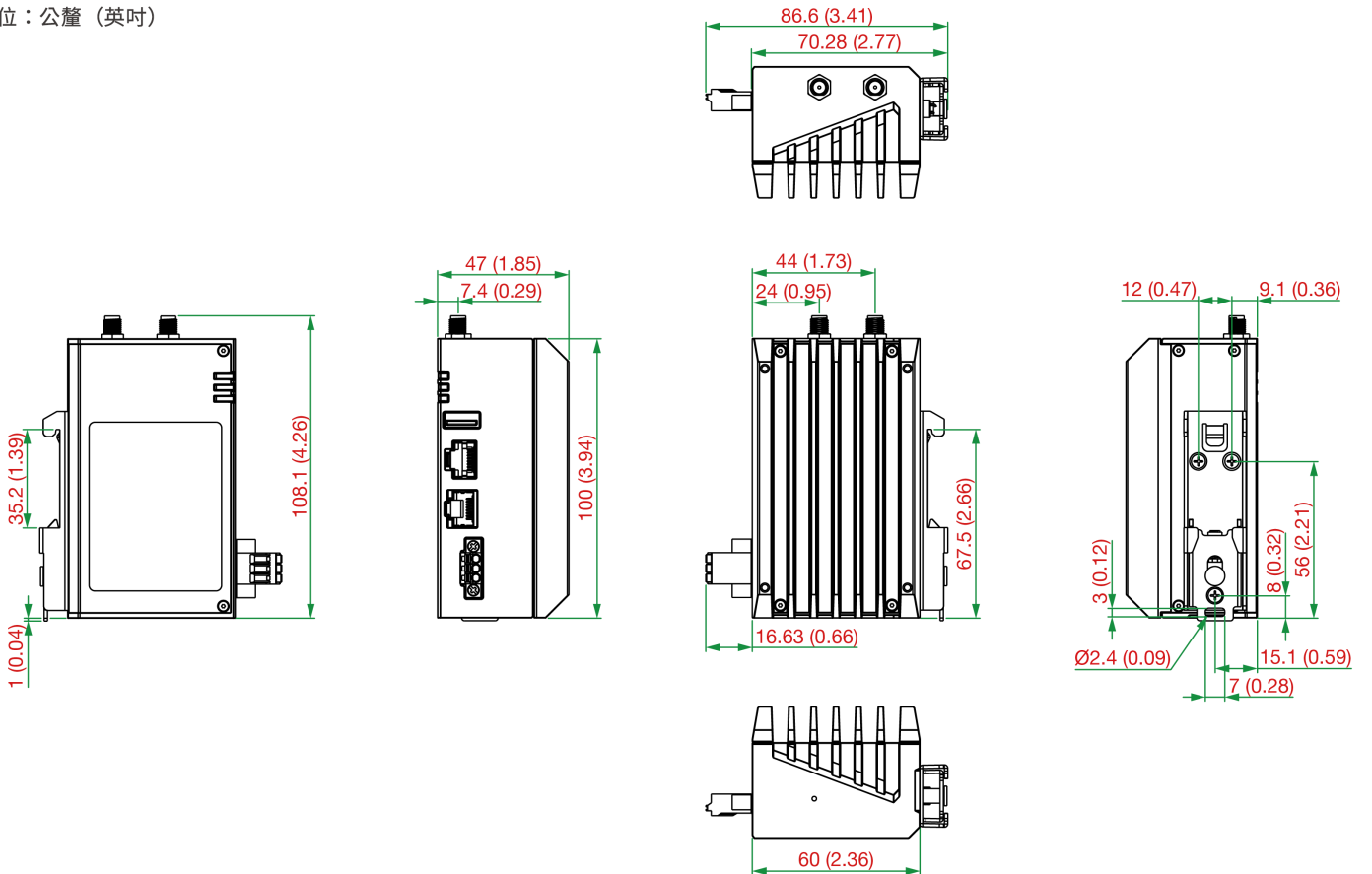
## 標準版

單位：公釐 (英吋)



## 寬溫版 (-T)

單位：公釐 (英吋)



## 訂購資訊

Model Name	Band	Standards	Operating Temp.
AWK-1161C-UN	UN	802.11ax (Wi-Fi 6)	-25 to 60°C
AWK-1161C-UN-T	UN	802.11ax (Wi-Fi 6)	-40 to 75°C
AWK-1161C-US	US	802.11ax (Wi-Fi 6)	-25 to 60°C
AWK-1161C-US-T	US	802.11ax (Wi-Fi 6)	-40 to 75°C

## 配件 (選購)

### Antennas

ANT-WSB-PNF-12-02	12 dBi at 2.4 GHz, N-type (female), single-band directional antenna
ANT-WSB5-PNF-16	16 dBi at 5 GHz, N-type (female), single-band directional antenna
ANT-WDB-ONM-0707	07 dBi at 2.4 GHz and 07 dBi at 5 GHz, N-type (male), dual-band omnidirectional antenna
ANT-WDB-PNF-1011	10 dBi at 2.4 GHz and 11 dBi at 5 GHz, N-type (female), dual-band directional antenna
ANT-WDB-ONF-0709	7 dBi at 2.4 GHz or 9 dBi at 5 GHz, N-type (female), dual-band, omnidirectional antenna
ANT-WDB-ANM-0306	3 dBi at 2.4 GHz or 6 dBi at 5 GHz, N-type (male), omnidirectional antenna
ANT-WDB-ARM-02	2 dBi at 2.4 GHz or 2 dBi at 5 GHz, RP-SMA (male) omnidirectional rubber-duck antenna
ANT-WDB-ARM-0202	2 dBi at 2.4 GHz or 2 dBi at 5 GHz, RP-SMA (male), dual-band, omnidirectional antenna
ANT-WSB-AHRM-05-1.5m	5 dBi at 2.4 GHz, RP-SMA (male), omnidirectional/dipole antenna, 1.5 m cable
MAT-WDB-CA-RM-2-0205	2.4/5 GHz, ceiling antenna, 2/5 dBi, MIMO 2x2, RP-SMA-type (male)
MAT-WDB-DA-RM-2-0203-1m	2.4/5 GHz, desktop antenna, 2/3 dBi, MIMO 2x2, RP-SMA-type (male), 1 m cable
MAT-WDB-PA-NF-2-0708	2.4/5 GHz, panel antenna, 7/8 dBi, MIMO 2x2, N-type (female)
ANT-WDB-ANM-0502	5 dBi at 2.4 GHz or 2 dBi at 5 GHz, N-type (male), omnidirectional antenna

### Wireless Antenna Cables

A-CRF-RFRM-R4-150	Wireless antenna cable with RP-SMA (female) to RP-SMA (male) connectors, magnetic base, RG-174 type, 1.5 m
A-CRF-RMNM-L1-300	N-type (male) to RP SMA (male) LMR-195 Lite cable, 3 m
A-CRF-RMNM-L1-600	N-type (male) to RP SMA (male) LMR-195 Lite cable, 6 m
A-CRF-RMNM-L1-900	N-type (male) to RP SMA (male) LMR-195 Lite cable, 9 m

### Surge Arrestors

A-SA-NMNF-02	0 to 6 GHz, N-type (male) to N-type (female) surge arrester
A-SA-NFNF-02	0 to 6 GHz, N-type (female) to N-type (female) surge arrester

### Wireless Terminating Resistors

A-TRM-50-NM	50-ohm termination resistor with N-type male connector
-------------	--

### Wall-Mounting Kits

WK-56-01	Wall-mounting kit with 2 plates (56 x 33.3 x 2 mm) and 4 screws
----------	---

© Moxa Inc. 版權所有. 2024 年 6 月 21 日更新。

未經 Moxa Inc. 明確書面許可，不得以任何方式複製或使用本文件及其任何部分。產品規格如有變更，恕不另行通知。請至本公司官網了解最新的產品資訊。