

MC-7400 系列

Intel® 6th Gen Core™ CPU 海事電腦獲得 DNV GL 認證，有 3 個獨立顯示連接埠 (1 x DVI-I、1 x DVI-D、1 x DisplayPort)、1 個無線 mini PCIe 擴充插槽，以及 4 個 NMEA 0183 連接埠



特色與優點

- 第 6 代 Intel® Core™ i5/i7 處理器
- DDR4 SO-DIMM 記憶體(可擴充至 32 GB)
- 3 個獨立顯示埠 (1 x DVI-I、1 x DVI-D、1 x DisplayPort)
- 各種 I/O 介面，包括 9 個 USB 連接埠、5 個 LAN 連接埠以及 4 個 COM 連接埠
- 2 個卸除式 2.5 吋 SSD 固態硬碟儲存槽
- 提供交流或直流電源型號
- 支援 Win 10 IoT 和 Debian 9 作業系統
- 支援 Moxa Proactive Monitoring 公用程式以進行系統狀態監控

認證



簡介

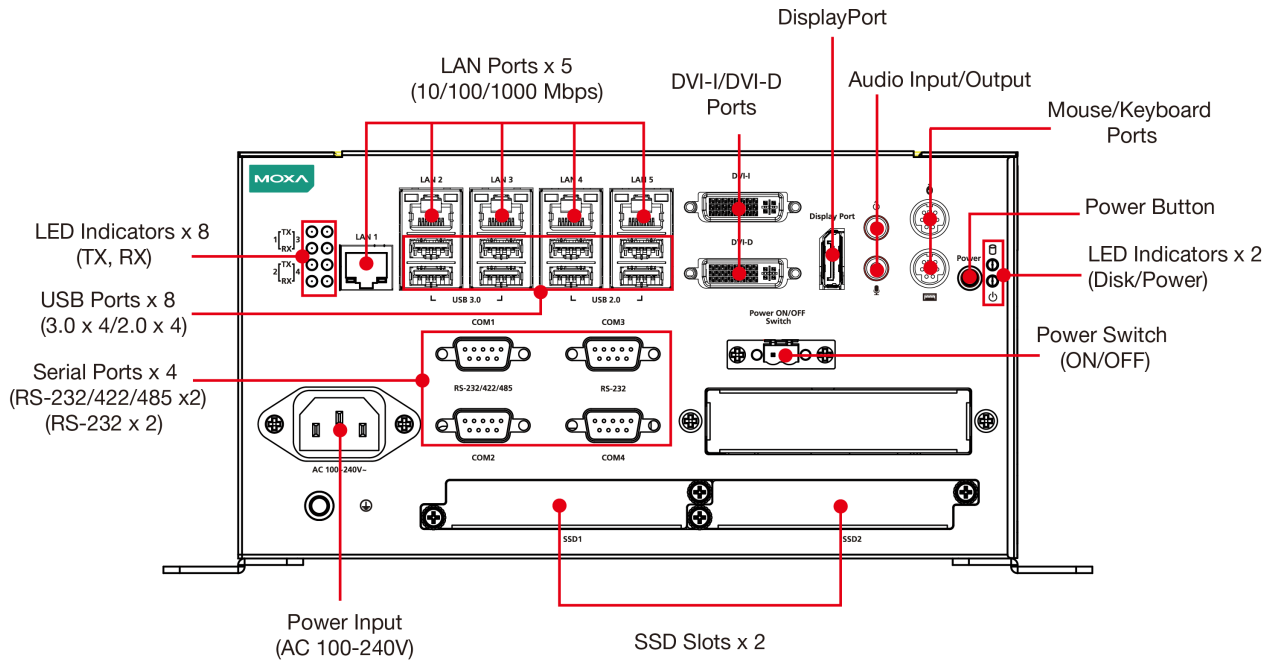
MC-7400 系列海事電腦採用第 6 代 Intel® Core™ i5/i7 處理器，提供完整範圍的 I/O 連接性，包括 NMEA 0183 連接埠、序列埠、Gigabit 乙太網路連接埠，以及 USB 2.0/3.0 連接埠和 miniPCI 擴充槽。MC-7400 的設計展現卓越 PC 效能，並在海事應用中達到兼具彈性與控制嶄新的境界。

主動監控功能

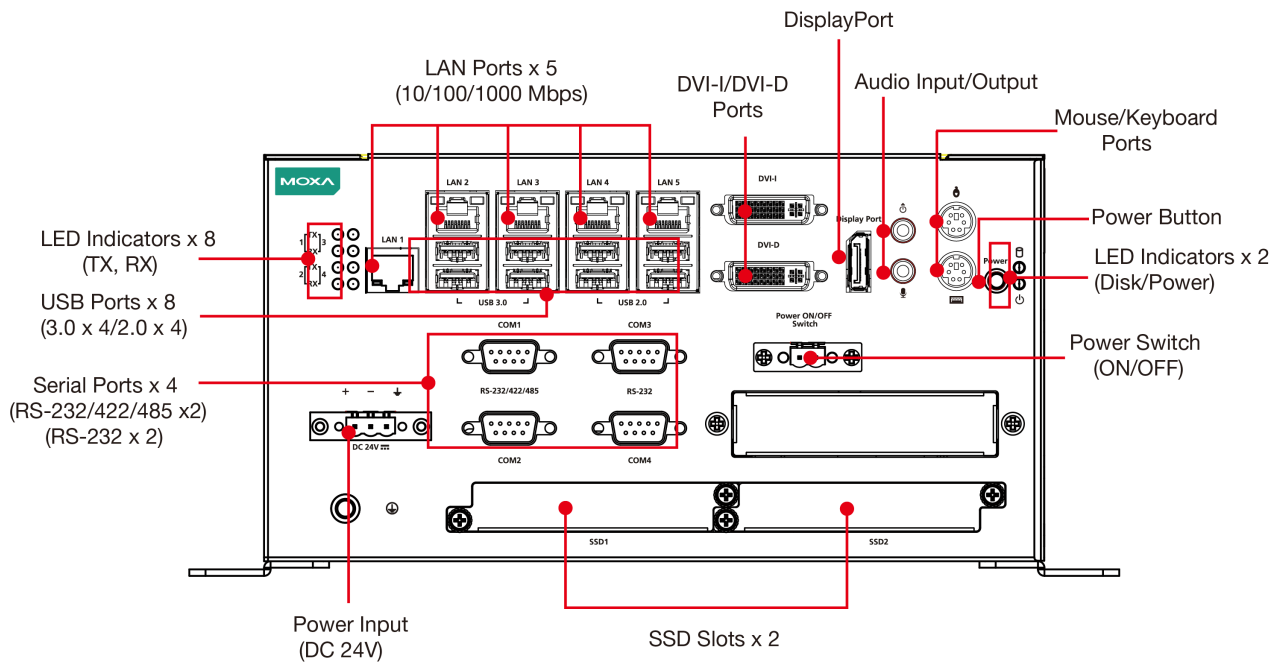
Moxa Proactive Monitoring 是一款低能耗、低資源耗用且易於使用的公用程式，可允許使用者追蹤一些系統參數。使用者只需在使用者介面中按一下參數對應的圖示，即可檢視這些重要零件的目前參數值。使用者定義的關鍵零件指標 (KPI) 用於監控電腦的關鍵零件。當這些 KPI 超出其預設的閾值，會自動透過繼電器和 SNMP 陷阱觸發視覺和/或音訊警示，操作人員只要提前設定預測性維護任務，便能極為方便地避免系統停機。

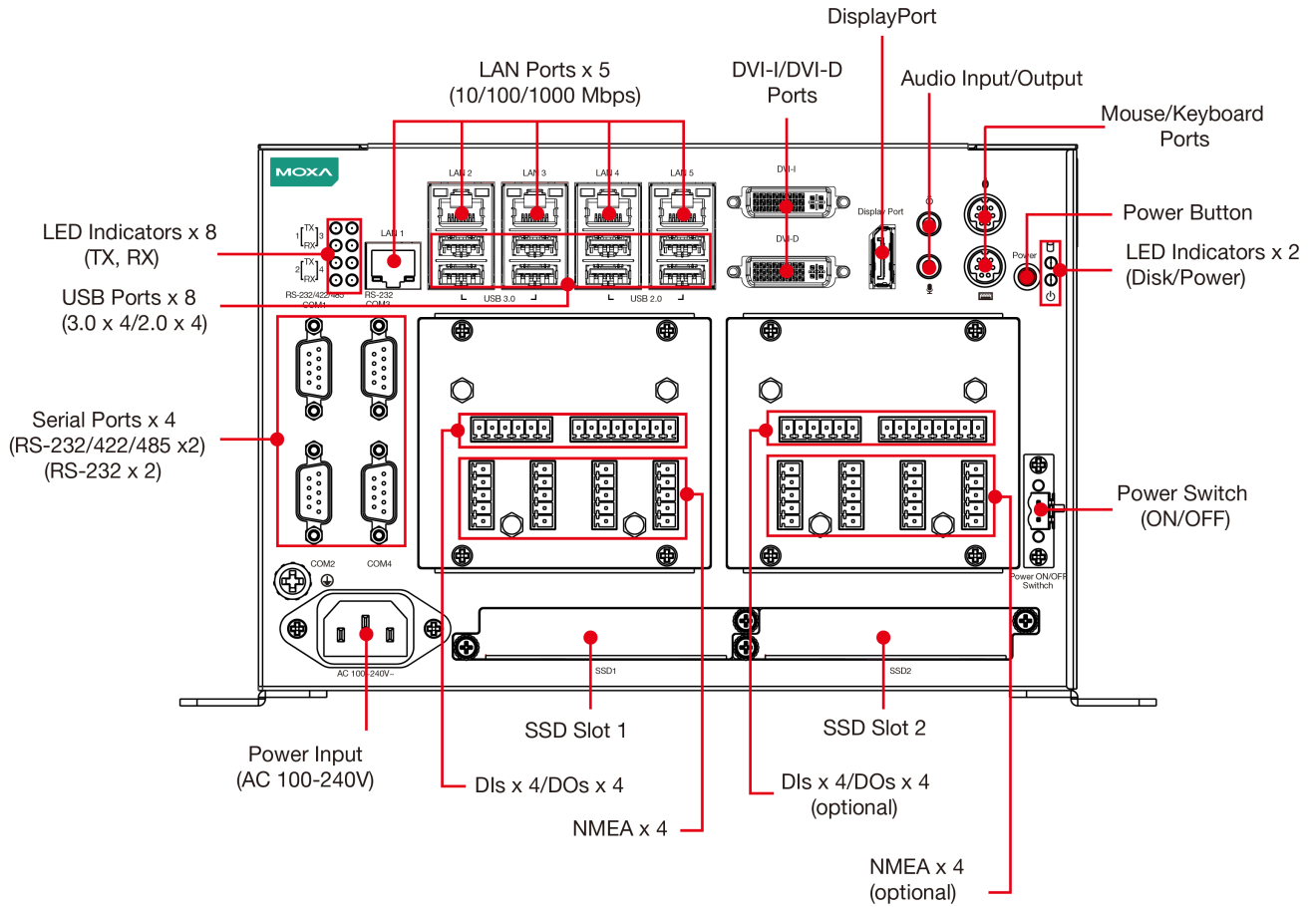
外觀

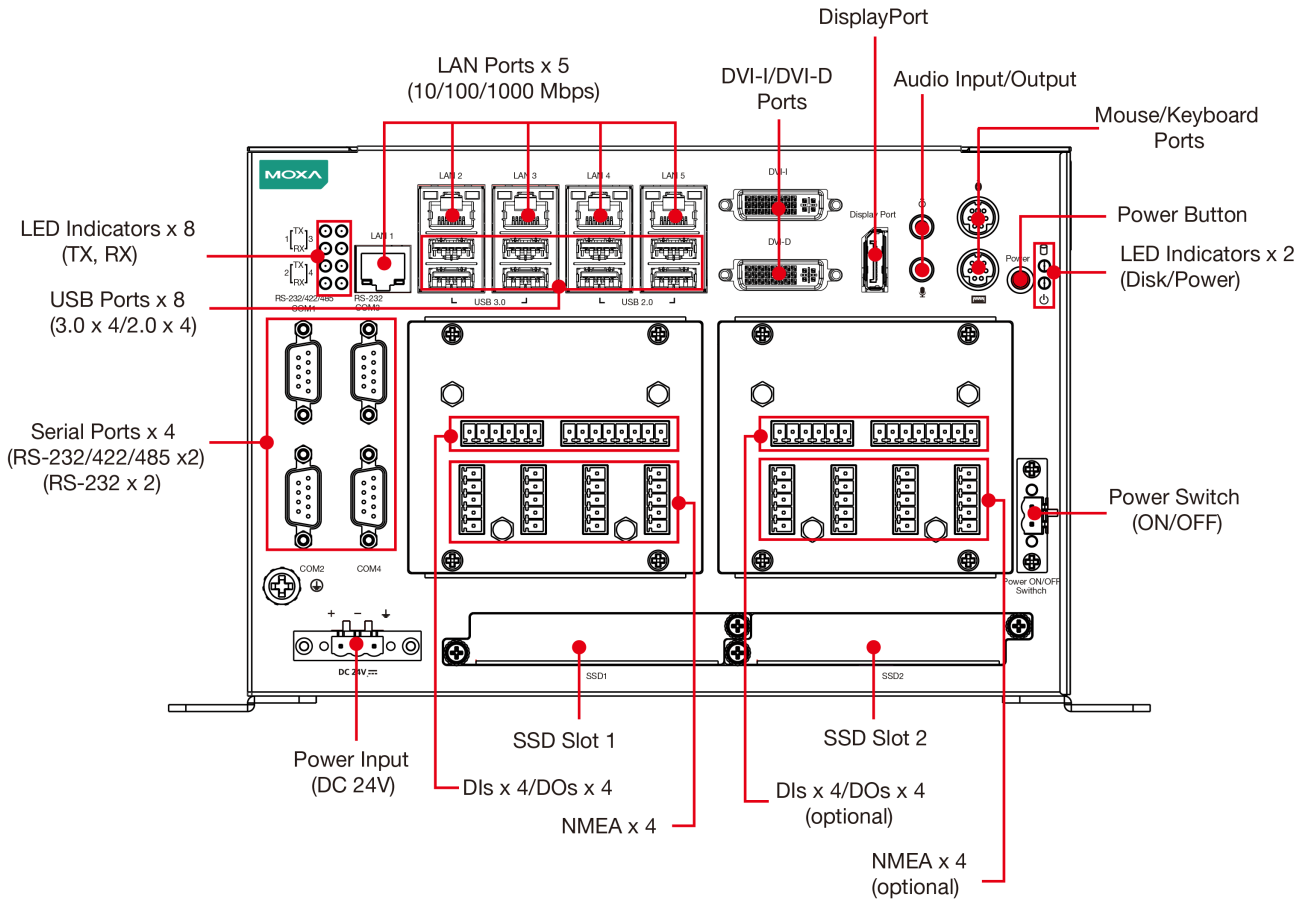
MC-7410 AC 型號



MC-7410 DC 型號







規格

Computer

CPU	Intel® Celeron® Processor G3902E (2M Cache, 1.60 GHz) Intel® Core™ i5-6442EQ Processor (6M Cache, up to 2.70 GHz) Intel® Core™ i7-6822EQ Processor (6M Cache, up to 2.80 GHz)
System Chipset	Mobile Intel® QM170 Chipset
Graphics Controller	Celeron: Intel® HD Graphics 510 Core i5: Intel® HD Graphics 530 Core i7: Intel® HD Graphics 530
System Memory Slot	SODIMM DDR4 slot x 2
Supported OS	Windows 10 Embedded IoT Ent 2016 LTSB Value EPKEA Linux Debian 9 Note: OS available by CTOS
Storage Slot	2.5" HDD/SSD slots x 2

Computer Interface

Ethernet Ports	Auto-sensing 10/100/1000 Mbps ports (RJ45 connector) x 5
Serial Ports	RS-232 ports x 2 (DB9 male) RS-232/422/485 ports x 2, software selectable (DB9 male)
USB 2.0	USB 2.0 hosts x 5, type-A connectors
USB 3.0	USB 3.0 hosts x 4, type-A connectors

Audio Input/Output	Line in x 1, Line out x 1, 3.5 mm phone jack
Digital Input	DIs x 4 Only for MC-7420 series
Digital Output	DOs x 4 Only for MC-7420 series
NMEA Port	NMEA 0183 ports x 4 (terminal block) Only for MC-7420 series
Video Input	DVI-D x 1, 29-pin DVI-D connector (female) DVI-I x 1, 29-pin DVI-I connector (male)
Video Output	DisplayPort x 1
PS/2	Keyboard PS/2 x 1 + Mouse PS/2 x 1

Relays

Connector	Screw-fastened Euroblock terminal
Contact Current Rating	Resistive load: 2 A @ 30 VDC
Contact Resistance	50 milli-ohms (max.)
Initial Insulation Resistance	1000 mega-ohms (min.) @ 500 VDC
Mechanical Endurance	100,000,000 operations
Minimum Permitted Load	20 A @ 30 VDC

LED Indicators

System	Power x 1 Storage x 1
LAN	2 per port (10/100/1000 Mbps)
Serial	2 per port (Tx, Rx)

Serial Interface

Baudrate	50 bps to 115.2 kbps
Connector	DB9 male
Data Bits	5, 6, 7, 8
Flow Control	ADDC® (automatic data direction control) for RS-485, RTS/CTS, XON/XOFF
Isolation	None
Parity	None, Even, Odd, Space, Mark
NMEA Interface	NMEA 0183: RS-422 Baudrate: 4800 bps Data Bits: 8 Handshake: None Optical Isolation Protection: 3 kV Parity: None Stop Bits: 1, 1.5, 2

Power Parameters

Power Consumption	100 W
Input Voltage	100 to 240 VAC, 24 VDC
Power Connector	Terminal block (for DC models)

Reliability

Automatic Reboot Trigger	Built-in WDT
--------------------------	--------------

Physical Characteristics

Weight	MC-7410 Series: 5500 g (12.12 lb) MC-7420 Series: 6000 g (13.23 lb)
Dimensions (with ears)	MC-7410 Series: 240 x 209 x 125 mm (9.45 x 8.23 x 4.92 in) MC-7420 Series: 240 x 209 x 160 mm (9.45 x 8.23 x 6.3 in)
Housing	Metal

Environmental Limits

Operating Temperature	-25 to 55°C (-13 to 131°F)
Storage Temperature (package included)	-30 to 60°C (-22 to 140°F)
Ambient Relative Humidity	5 to 95% (non-condensing)

Standards and Certifications

Maritime	IEC 60945
Safety	CE, IEC 62368-1, UL 60950-1
Radio Frequency	FCC
EMC	EN 55032/24
EMI	CISPR 22, FCC Part 15B Class A
EMS	IEC 61000-4-2 ESD: Contact: 6 kV; Air: 8 kV IEC 61000-4-3 RS: 80 MHz to 1 GHz: 10 V/m IEC 61000-4-4 EFT: Power: 2 kV; Signal: 1 kV IEC 61000-4-5 Surge: Power: 1 kV; Signal: 1 kV IEC 61000-4-6 CS: 10 V IEC 61000-4-8 PFMF
Green Product	RoHS, CRoHS, WEEE

Warranty

Warranty Period	3 years
Details	See www.moxa.com/tw/warranty

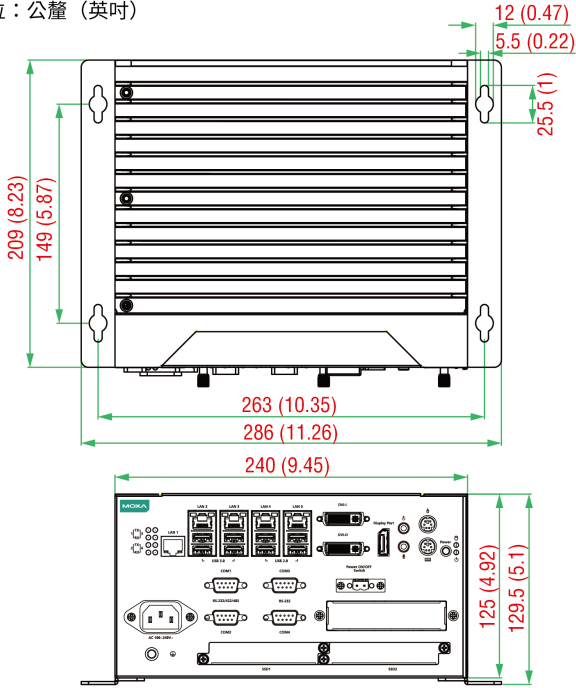
Package Contents

Device	1 x MC-7400 device
Documentation	1 x warranty card 1 x quick installation guide
Installation Kit	1 x terminal block, 2-pin, for power ON/OFF switch 1 x wall-mounting kit 1 x terminal block, 3-pin, for DC power input (DC model) 1 x terminal block, 6-pin, for digital input (MC-7420 model only) 4 x terminal block, 5-pin, for NMEA 0183 (MC-7420 model only) 1 x terminal block, 8-pin, for digital output (MC-7420 model only)

尺寸

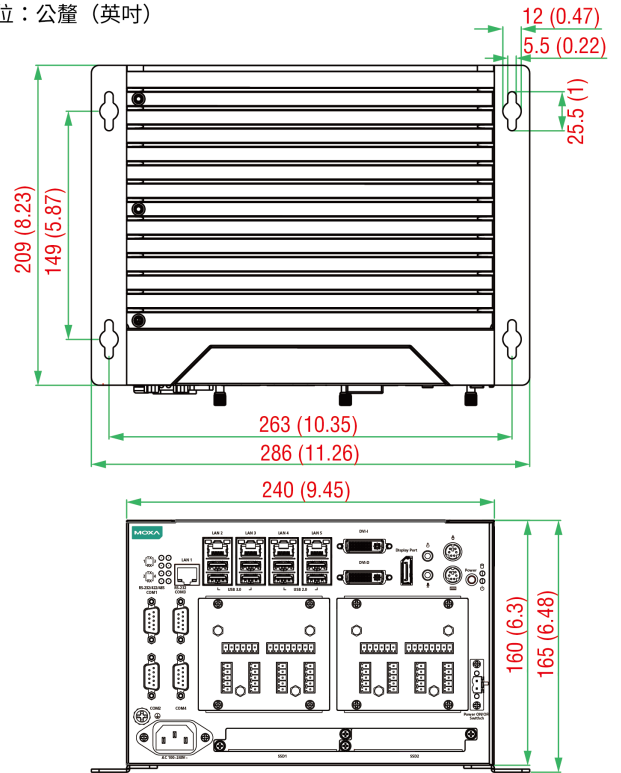
MC-7410 AC 型號

單位：公釐 (英吋)



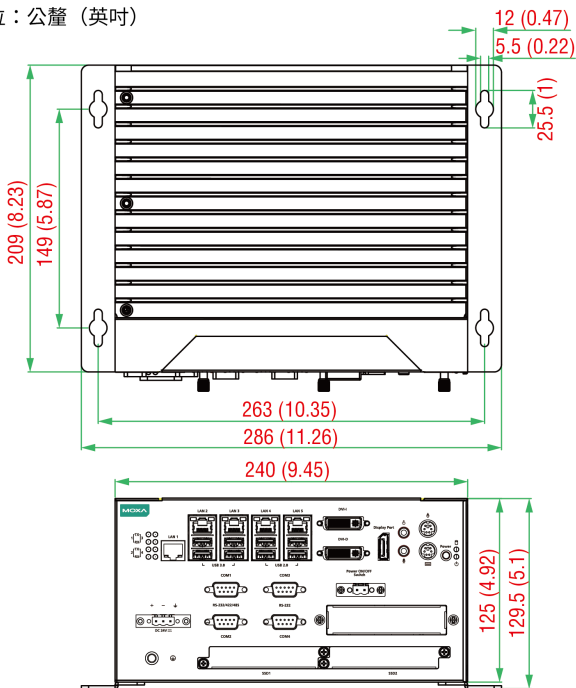
MC-7420 AC 型號

單位：公釐 (英吋)



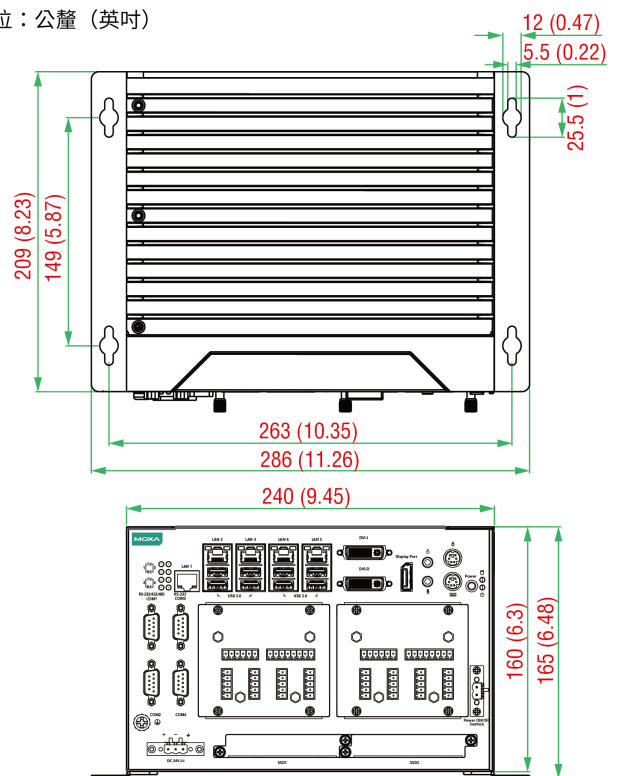
MC-7410 DC 型號

單位：公釐 (英吋)



MC-7420 DC 型號

單位：公釐 (英吋)



訂購資訊

Model Name	Processor	RAM	HDD/SSD Slots	LAN Ports	Serial Ports	DI/DO	NMEA 0183	Power Input
MC-7410-C1-AC	Celeron G3902E	DDR4, 2133 MHz (max 16 GHz)	2	5	4	–	–	100-240 VAC
MC-7410-C1-DC	Celeron G3902E	DDR4, 2133 MHz (max 16 GHz)	2	5	4	–	–	24 VDC
MC-7410-C5-AC	i5-6442EQ	DDR4, 2133 MHz (max 16 GHz)	2	5	4	–	–	100-240 VAC
MC-7410-C5-DC	i5-6442EQ	DDR4, 2133 MHz (max 16 GHz)	2	5	4	–	–	24 VDC
MC-7410-C7-AC	i7-6822EQ	DDR4, 2133 MHz (max 16 GHz)	2	5	4	–	–	100-240 VAC
MC-7410-C7-DC	i7-6822EQ	DDR4, 2133 MHz (max 16 GHz)	2	5	4	–	–	24 VDC
MC-7420-C1-AC	Celeron G3902E	DDR4, 2133 MHz (max 16 GHz)	2	5	4	4 DIs, 4 DOs	4	100-240 VAC
MC-7420-C1-DC	Celeron G3902E	DDR4, 2133 MHz (max 16 GHz)	2	5	4	4 DIs, 4 DOs	4	24 VDC
MC-7420-C5-AC	i5-6442EQ	DDR4, 2133 MHz (max 16 GHz)	2	5	4	4 DIs, 4 DOs	4	100-240 VAC
MC-7420-C5-DC	i5-6442EQ	DDR4, 2133 MHz (max 16 GHz)	2	5	4	4 DIs, 4 DOs	4	24 VDC
MC-7420-C7-AC	i7-6822EQ	DDR4, 2133 MHz (max 16 GHz)	2	5	4	4 DIs, 4 DOs	4	100-240 VAC
MC-7420-C7-DC	i7-6822EQ	DDR4, 2133 MHz (max 16 GHz)	2	5	4	4 DIs, 4 DOs	4	24 VDC

配件 (選購)

Power Cords

PWC-C13AU-3B-183	Power cord with Australian (AU) plug, 1.83 m
PWC-C13CN-3B-183	Power cord with three-prong China (CN) plug, 1.83 m
PWC-C13EU-3B-183	Power cord with Continental Europe (EU) plug, 1.83 m
PWC-C13UK-3B-183	Power cord with United Kingdom (UK) plug, 1.83 m
PWC-C13US-3B-183	Power cord with United States (US) plug, 1.83 m

© Moxa Inc. 版權所有。2021 年 7 月 5 日更新。

未經 Moxa Inc. 明確書面許可，不得以任何方式複製或使用本文件及其任何部分。產品規格如有變更，恕不另行通知。請至本公司官網了解最新的產品資訊。