

A-CRF-NMNM Series

Wireless antenna cable



Features and Benefits

- 3 m, 6 m, and 9 m options available

Introduction

The A-CRF-NMNM Series is a set of LMR-400 LITE cable accessories with N-type (male) to N-type (male) connectors.

Specifications

Physical Characteristics

Cable Type	LMR-400 Lite
Connector Type	N-type (Male) to N-type (Male)
Cable Length	A-CRF-NMNM-LL4-300: 3 m A-CRF-NMNM-LL4-600: 6 m A-CRF-NMNM-LL4-900: 9 m
Outer Diameter	10.29 mm (0.41 in)
Min. Bend Radius	24.5 mm (0.96 in)
Impedance	50 ohms
V.S.W.R.	1.4:1 Max @ 2400 to 2486 MHz
Insertion Loss	A-CRF-NMNM-LL4-300: -1.6 dB (max.) A-CRF-NMNM-LL4-600: -2.8 dB (max.) A-CRF-NMNM-LL4-900: -3.8 dB (max.)

Environmental Limits

Operating Temperature	-40 to 85°C (-40 to 185°F)
-----------------------	----------------------------

Warranty

Warranty Period	1 year
Details	See www.moxa.com/warranty

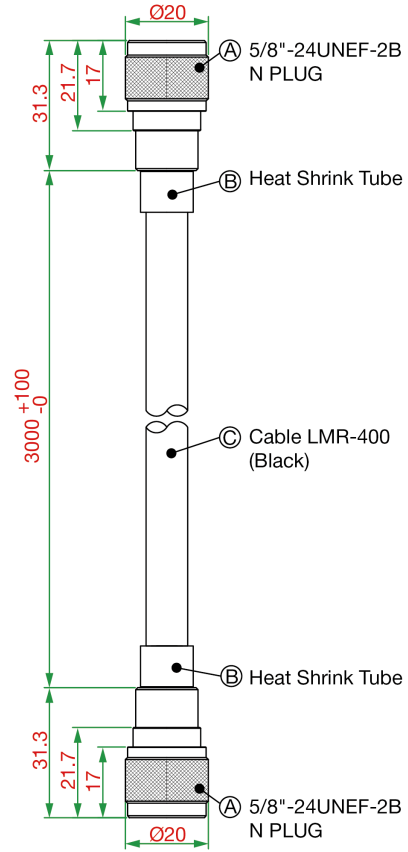
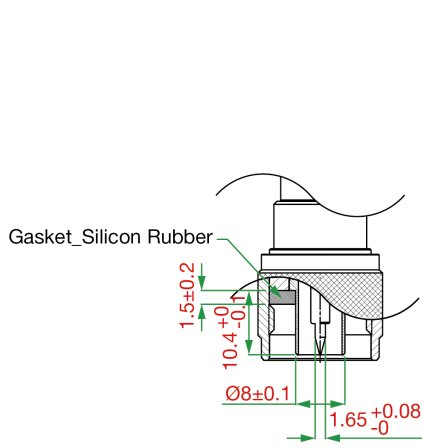
Package Contents

Device	1 x A-CRF-NMNM Series wireless antenna cable
--------	--

Dimensions

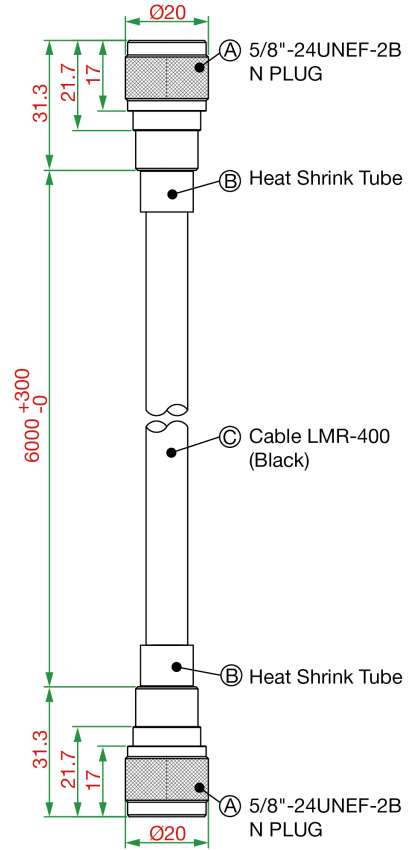
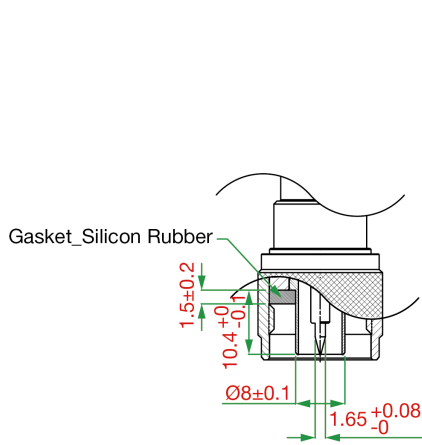
A-CRF-NMNM-LL4-300

Unit: mm



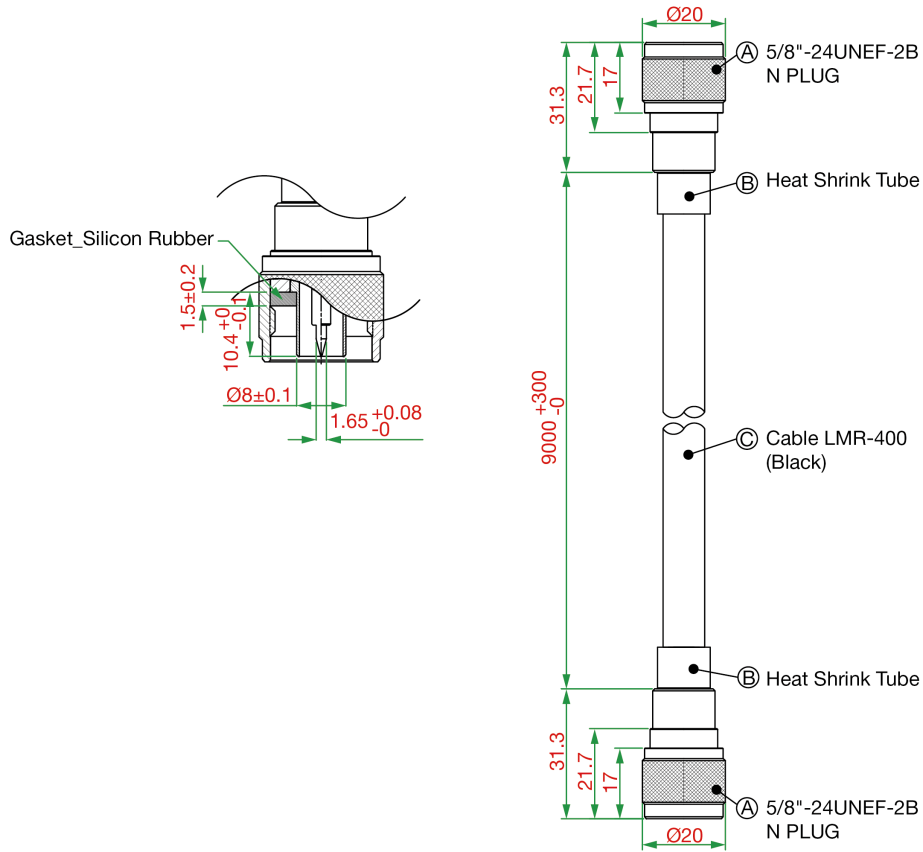
A-CRF-NMNM-LL4-600

Unit: mm



A-CRF-NMNM-LL4-900

Unit: mm



Ordering Information

Model Name	Cable Type	Connector Type	Cable Length
A-CRF-NMNM-LL4-300	LMR-400 Lite	N-type (male) to N-type (male)	3 m
A-CRF-NMNM-LL4-600	LMR-400 Lite	N-type (male) to N-type (male)	6 m
A-CRF-NMNM-LL4-900	LMR-400 Lite	N-type (male) to N-type (male)	9 m

© Moxa Inc. All rights reserved. Updated Dec 13, 2019.

This document and any portion thereof may not be reproduced or used in any manner whatsoever without the express written permission of Moxa Inc. Product specifications subject to change without notice. Visit our website for the most up-to-date product information.