

MPC-2070 系列

7 吋工業無風扇面板電腦



特色與優點

- 7 吋面板電腦
- Intel Atom® 處理器 E3826 1.46 GHz
- -40 至 70°C 寬溫度設計，無風扇或加熱器
- 日照下可判讀的 1000 nit LCD
- 戴手套也可操作的多點觸控螢幕
- ¹ Class 1 Division 2、ATEX Zone 2 和 IECEx 相容認證正在進行中。²
- 10 至 36 VDC 寬範圍電源輸入

認證



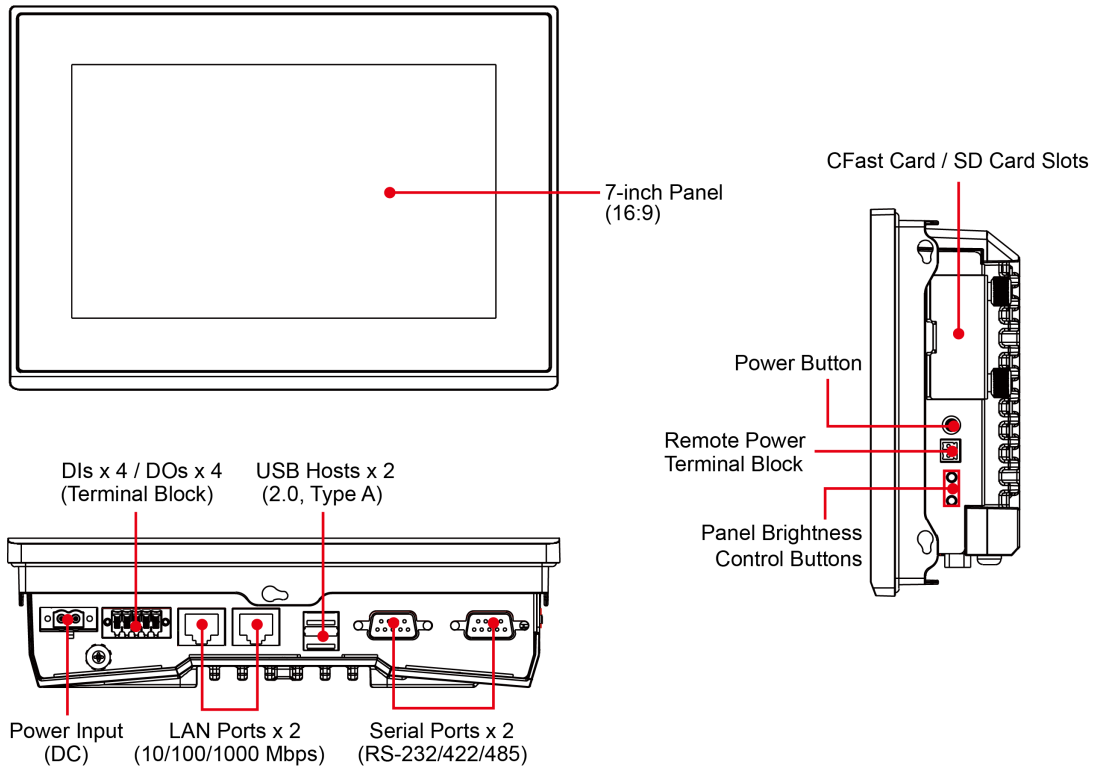
簡介

採用 Intel Atom® 處理器 E3800 系列的 MPC-2070 7 吋面板電腦，為工業環境提供可靠耐用的多功能平台。MPC-2070 面板電腦配備兩個可選式軟體的 RS-232/422/485 串列連接埠和兩個 Gigabit 乙太網路連接埠，支援多種串列介面以及高速 IT 通訊，這些都提供本機網路備援。

MPC-2070 系列面板電腦的設計可耐受 -40 至 70°C 的寬溫度範圍，並採用無風扇、流線型外殼，專為高效散熱而設計。MPC-2070 系列因此成為最可靠的工業平台，可用於石油和天然氣田或鑽井平台等嚴苛、炎熱的戶外環境。MPC-2070 也配備 1000 nit LCD 面板，採用日照下可判讀的投影電容式多點觸控螢幕，戴手套也可操作，達到戶外應用的絕佳使用者體驗。

1. DNV-GL、ATEX 和 IECEx
2. 如需最新的認證狀態，請造訪 Moxa 網站。

外觀



規格

Computer

CPU	Intel Atom® Processor E3826 (1M Cache, 1.46 GHz)
Graphics Controller	Intel® HD Graphics
System Memory Pre-installed	4 GB DDR3L
System Memory Slot	SODIMM DDR3/DDR3L slot x 1
Pre-installed OS	MPC-2070-E2-T/MPC-2070-E2-LB-T: OS is not pre-installed MPC-2070-E2-T-W7E/MPC-2070-E2-LB-T-W7E: OS is pre-installed
Supported OS	Windows 7 Pro for Embedded Systems Windows Embedded Standard 7 (WS7P) 64-bit Windows 10 Pro 64-bit Windows 10 Embedded IoT Ent 2016 LTSB Entry 64-bit Linux Debian 9
Storage Slot	CFast slot x 1 SD slots x 1, SD 3.0 (SDHC/SDXC) socket
Storage Pre-installed	MPC-2070-E2-T-W7E/MPC-2070-E2-LB-T-W7E: 32 GB CFast card pre-installed

Computer Interface

Ethernet Ports	Auto-sensing 10/100/1000 Mbps ports (RJ45 connector) x 2
Serial Ports	RS-232/422/485 ports x 2, software selectable (DB9 male)
USB 2.0	USB 2.0 hosts x 2, type-A connectors
Digital Input	DIs x 4
Digital Output	DOs x 4

LED Indicators

System	Power x 1
LAN	2 per port (10/100/1000 Mbps)

Display

Active Display Area	152.4 (H) x 91.44 (V) mm
Contrast Ratio	600:1
Light Intensity (Brightness)	MPC-2070-E2-T Series: 1000 cd/m ² MPC-2070-E2-LB-T Series: 350 cd/m ²
Max. No. of Colors	16.2M (8-bit/color)
Panel Size	7-inch viewable image
Panel Type	TN
Pixel Pitch (RGB)	0.1905 (H) x 0.1905 (V) mm
Pixels	800 x 480
Response Time	5 ms (gray to gray)
Viewing Angles	140°/120°

Touch Function

Touch Type	Capacitive Touch (PCAP)
Touch Support Points	4 points
Glove Support	Yes

Serial Interface

Baudrate	50 bps to 115.2 kbps
Data Bits	5, 6, 7, 8
Flow Control	RTS/CTS, XON/XOFF, ADDC® (automatic data direction control) for RS-485, RTS Toggle (RS-232 only)
Parity	None, Even, Odd, Space, Mark
Stop Bits	1, 1.5, 2

Serial Signals

RS-232	TxD, RxD, RTS, CTS, DTR, DSR, DCD, GND
RS-422	Tx+, Tx-, Rx+, Rx-, GND
RS-485-2w	Data+, Data-, GND
RS-485-4w	Tx+, Tx-, Rx+, Rx-, GND

Power Parameters

Input Voltage	10 to 36 VDC
Power Consumption	40 W (max.)

Physical Characteristics

Housing	Metal
IP Rating	IP66, front IP20, rear
Dimensions	200 x 140 x 45 mm (7.9 x 5.5 x 1.8 in)
Weight	1,400 g (3.09 lb)

Environmental Limits

Operating Temperature	-40 to 70°C (-40 to 158°F)
Storage Temperature (package included)	-40 to 70°C (-40 to 158°F)
Ambient Relative Humidity	5 to 95% (non-condensing)

Standards and Certifications

EMC	EN 55032/24
EMI	CISPR 32, FCC Part 15B Class A
EMS	IEC 61000-4-2 ESD: Contact: 4 kV; Air: 8 kV IEC 61000-4-3 RS: 80 MHz to 1 GHz: 10 V/m IEC 61000-4-4 EFT: Power: 1 kV; Signal: 0.5 kV IEC 61000-4-5 Surge: Power: 2 kV; Signal: 1 kV IEC 61000-4-6 CS: 10 V IEC 61000-4-8 PFMF
Environmental Testing	IEC 60068-2-1, DNVGL-CG-0339 IEC 60068-2-2, DNVGL-CG-0339 IEC 60068-2-2, IEC 60945 IEC 60068-2-30, IEC 60945
Hazardous Locations	ATEX, Class I Division 2, IECEx
Maritime	DNV-GL
Mechanical Protection Rating	IEC 60529, IP code
Safety	EN 60950-1, IEC 60950-1, UL 60950-1
Shock	IEC 60068-2-27
Vibration	IEC 60068-2-6, IEC 60068-2-6, IEC 60945, IEC 60068-2-64, DNVGL-CG-0339

Declaration

Green Product	RoHS, CRoHS, WEEE
---------------	-------------------

Warranty

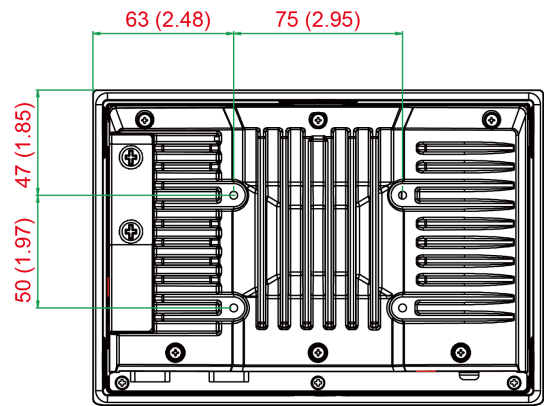
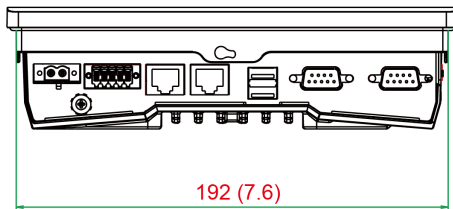
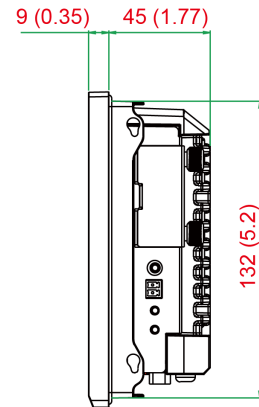
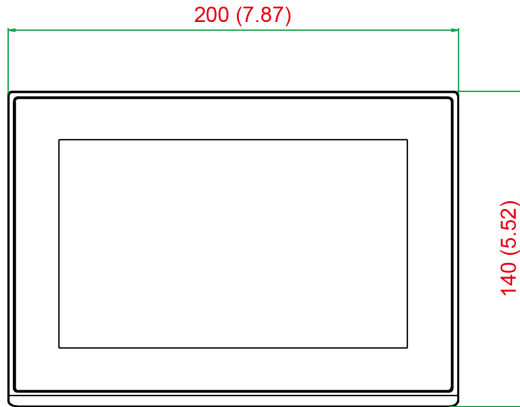
Warranty Period	LCD: 1 year System: 3 years
Details	See www.moxa.com/tw/warranty

Package Contents

Device	1 x MPC-2070 Series computer
Installation Kit	6 x screw, for panel-mounting 1 x terminal block, 2-pin, for DC power input 1 x terminal block, 10-pin, for DIO 1 x terminal block, 2-pin, for remote power switch
Documentation	1 x quick installation guide 1 x warranty card

尺寸

Unit: mm (inch)



訂購資訊

Model Name	Panel	CPU	RAM	OS Preinstalled	Touchscreen	LAN	Serial	DI/DO	Power Input	IP Rating	Operating Temp.
MPC-2070-E2-T	7" (16:9) 1,000 nits	Intel Atom® E3826	4 GB	-	Capacitive	2	2	4/4	12/24 VDC	IP66 (front), IP20 (rear)	-40 to 70° C
MPC-2070-E2-T-W7E	7" (16:9) 1,000 nits	Intel Atom® E3826	4 GB	W7E OS 32 GB CFAST	Capacitive	2	2	4/4	12/24 VDC	IP66 (front), IP20 (rear)	-40 to 70° C
MPC-2070-E2-LB-T	7" (16:9) 350 nits	Intel Atom® E3826	4 GB	-	Capacitive	2	2	4/4	12/24 VDC	IP66 (front), IP20 (rear)	-40 to 70° C
MPC-2070-E2-LB-T-W7E	7" (16:9) 350 nits	Intel Atom® E3826	4 GB	W7E OS 32 GB CFAST	Capacitive	2	2	4/4	12/24 VDC	IP66 (front), IP20 (rear)	-40 to 70° C

© Moxa Inc. 版權所有. 2021 年 3 月 23 日更新。

未經 Moxa Inc. 明確書面許可，不得以任何方式複製或使用本文件及其任何部分。產品規格如有變更，恕不另行通知。請至本公司官網了解最新的產品資訊。