

# ICS-G7528Aシリーズ

24G+4 10GbEポートレイヤー2フルギガビットマネージド・イーサネット・スイッチ



## 機能と特長

- 24個のギガビットイーサネットポートと最大4つの10Gイーサネットポート
- 最大28の光ファイバ接続（SFPスロット）
- ファンレス、-40～75°Cの動作温度範囲（Tモデル）
- Turbo RingおよびTurbo Chain（リカバリ時間はスイッチ250台で20ミリ秒未満）をサポートし、1. STP/RSTP/MSTPでネットワーク冗長性を実現
- ユニバーサル110/220 VAC電力範囲の絶縁冗長電源
- 簡単に視覚化された産業用ネットワーク管理を行うためのMXstudioに対応
- V-ON™により、ミリ秒レベルのマルチキャストデータとビデオネットワークの回復を確実に実現

## 認証



## 製品紹介

プロセスオートメーションやトランスポートオートメーションの用途では、データ、音声、動画を組み合わせるため、高いパフォーマンスと高い信頼性が求められます。ICS-G7528Aシリーズのフルギガビットバックボーンスイッチには、24個のギガビットイーサネットポートと最大4つの10ギガビットイーサネットポートが搭載されており、大規模な産業用ネットワークに最適です。

ICS-G7528Aのフルギガビットの機能により、帯域幅が向上し、高いパフォーマンスを確保し、大量の動画、音声、データをネットワークをまたがってすばやく転送する機能を実現します。このファンレススイッチは、Turbo Ring、Turbo Chain、RSTP/STPの冗長性技術をサポートし、絶縁冗長電源を完備し、これによりネットワークバックボーンシステムの信頼性と可用性を向上させます。

## その他の機能とメリット

- 主なマネージド機能をすばやく設定するためのコマンドラインインターフェース（CLI）
- 各ポリシーに応じてIPアドレスを割り当てるDHCP Option 82
- デバイスの管理および監視用のEtherNet/IP、PROFINET、およびModbus TCPプロトコルをサポート
- マルチキャストトラフィックをフィルタリングするIGMPスヌーピングおよびGMRP
- ネットワーク計画を容易にするIEEE 802.1Q VLANとGVRPのプロトコル
- 可用性を向上させるQoS（IEEE 802.1p/1QおよびTOS/DiffServ）
- メールとリレー出力を通じた例外検出による自動警告
- センサーとアラームをIPネットワークと統合するためのデジタル入力
- 最適な帯域幅利用のためのポートランキング
- TACACS+、SNMPv3、IEEE 802.1x、HTTPS、およびSSHで、ネットワークセキュリティを強化
- アクセス制御リスト（ACL）により、ネットワーク管理の柔軟性とセキュリティを向上（ICS-G7800Aシリーズ）
- 異なるレベルのネットワーク管理を実現するSNMPv1/v2c/v3
- プロアクティブで効率の高いネットワーク監視のためのRMON
- 想定外のネットワーク状況を防ぐ帯域幅管理
- 不正アクセスをブロックするためのMACアドレスによるポートロック機能
- オンラインデバッグ用のポートミラーリング
- 冗長デュアルAC電源

## 仕様

### Ethernet Interface

10/100/1000BaseT(X) Ports (RJ45 connector)	ICS-G7528A-4XG-HV-HV-T: 20 ICS-G7528A-8GSFP-4XG-HV-HV-T: 12
100/1000BaseSFP Ports	ICS-G7528A-8GSFP-4XG-HV-HV-T: 8 ICS-G7528A-20GSFP-4XG-HV-HV-T: 20

1. ポートリンク速度が1ギガビット以上である場合、リカバリ時間は50ミリ秒未満です。

10GbE SFP+ Slots	4
Combo Ports (10/100/1000BaseT(X) or 100/1000BaseSFP+)	4
Standards	<p>IEEE 802.1D-2004 for Spanning Tree Protocol  IEEE 802.1p for Class of Service  IEEE 802.1Q for VLAN Tagging  IEEE 802.1s for Multiple Spanning Tree Protocol  IEEE 802.1w for Rapid Spanning Tree Protocol  IEEE 802.1X for authentication  IEEE 802.3 for 10BaseT  IEEE 802.3ab for 1000BaseT(X)  IEEE 802.3ad for Port Trunk with LACP  IEEE 802.3u for 100BaseT(X) and 100BaseFX  IEEE 802.3x for flow control  IEEE 802.3z for 1000BaseSX/LX/LHX/ZX  IEEE 802.3ae for 10 Gigabit Ethernet</p>

## Ethernet Software Features

Management	<p>ARP  Back Pressure Flow Control  BOOTP  DDM  DHCP Option 66/67/82  DHCP Server/Client  Flow control  IPv4/IPv6  LLDP  Port Mirror  RARP  RMON  SCP  SMTP  SNMP Inform  SNMPv1/v2c/v3  Syslog  Telnet  TFTP</p>
Filter	<p>802.1Q  BPDU Filter  BPDU Guard  GMRP  GVRP  IGMP v1/v2/v3</p>
Redundancy Protocols	<p>Link Aggregation  MRP  MSTP  RSTP  Turbo Chain  Turbo Ring v1/v2  V-ON</p>
Security	<p>Access control list  Broadcast storm protection  HTTPS/SSL  MAB authentication  Sticky MAC  NTP authentication  Port Lock  RADIUS  SSH  TACACS+</p>
Time Management	<p>NTP Server/Client  SNTP</p>

MIB	Bridge MIB Ethernet-like MIB MIB-II P-BRIDGE MIB Q-BRIDGE MIB RMON MIB Groups 1, 2, 3, 9 RSTP MIB
Industrial Protocols	EtherNet/IP Modbus TCP PROFINET

### Switch Properties

DRAM	128 MB
Flash	16 MB
IGMP Groups	4096
Jumbo Frame Size	9.6 KB
MAC Table Size	16 K
Max. No. of VLANs	256
Packet Buffer Size	12 Mbits
VLAN ID Range	VID 1 to 4094
Priority Queues	8

### USB Interface

Storage Port	USB Type A
--------------	------------

### Serial Interface

Console Port	USB-serial console (Type B connector)
--------------	---------------------------------------

### Input/Output Interface

Alarm Contact Channels	Relay output with current carrying capacity of 2 A @ 30 VDC
Digital Inputs	+13 to +30 V for state 1 -30 to +1 V for state 0 Max. input current: 8 mA

### Power Parameters

Input Voltage	100 to 240 VAC Redundant dual inputs
Operating Voltage	85 to 264 VAC
Input Current	Max. 1.08 A @ 110 VAC Max. 0.7 A @ 220 VAC
Power Consumption	Max. 66.41 W @ 110 VAC Max. 67.96 W @ 220 VAC
Overload Current Protection	Supported
Reverse Polarity Protection	Supported

### Physical Characteristics

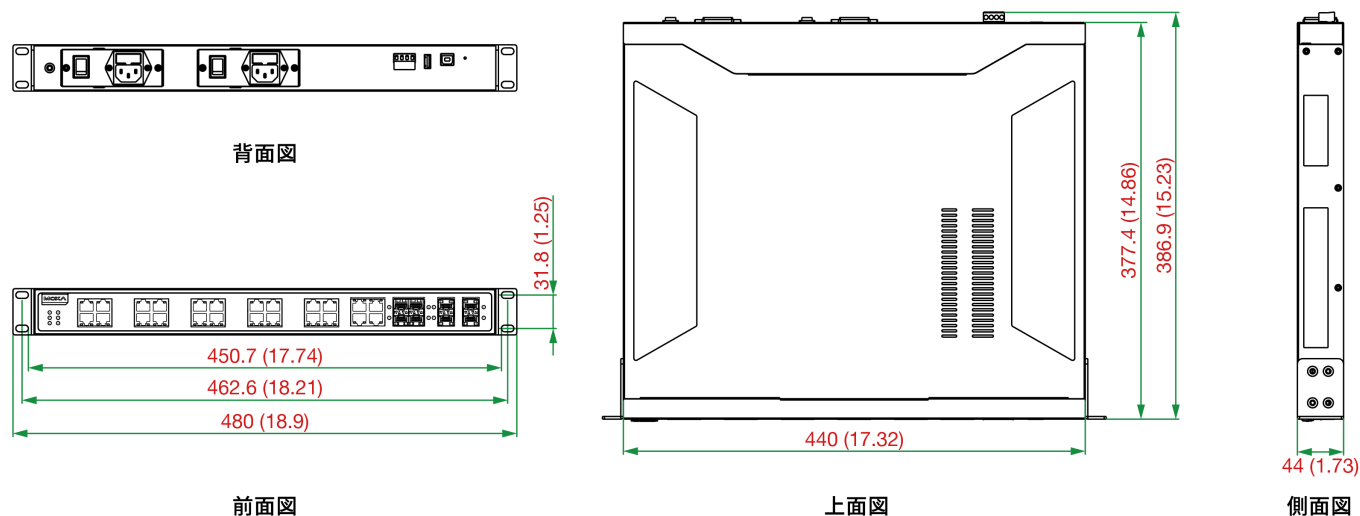
IP Rating	IP30
Dimensions	440 x 44 x 386.9 mm (17.32 x 1.73 x 15.23 in)

Weight	6470 g (14.26 lb)
Installation	Rack mounting
<b>Environmental Limits</b>	
Operating Temperature	-40 to 75°C (-40 to 167°F)
Storage Temperature (package included)	-40 to 85°C (-40 to 185°F)
Ambient Relative Humidity	5 to 95% (non-condensing)
<b>Standards and Certifications</b>	
Safety	UL 61010-2-201, EN 61010-2-201, UL 62368-1, IEC 62368-1
EMC	EN 55032/35 EN 61000-6-2/-6-4
EMI	CISPR 32, FCC Part 15B Class A
EMS	IEC 61000-4-2 ESD: Contact: 6 kV; Air: 8 kV IEC 61000-4-3 RS: 80 MHz to 1 GHz: 20 V/m IEC 61000-4-4 EFT: Power: 2 kV; Signal: 1 kV IEC 61000-4-5 Surge: Power: 2 kV; Signal: 1 kV IEC 61000-4-6 CS: 10 V IEC 61000-4-8 PFMF
Railway	EN 50121-4
Traffic Control	NEMA TS2
Freefall	IEC 60068-2-32
Shock	IEC 60068-2-27
Vibration	IEC 60068-2-6
<b>MTBF</b>	
Time	ICS-G7528A-4XG-HV-HV-T: 573,832 hrs ICS-G7528A-8GSFP-4XG-HV-HV-T: 536,851 hrs ICS-G7528A-20GSFP-4XG-HV-HV-T: 555,378 hrs
Standards	Telcordia (Bellcore), GB
<b>Warranty</b>	
Warranty Period	5 years
Details	See <a href="http://www.moxa.com/jp/warranty">www.moxa.com/jp/warranty</a>
<b>Package Contents</b>	
Device	1 x ICS-G7528A Series switch
Cable	1 x USB type A male to USB type B male
Installation Kit	2 x rack-mounting ear caps, plastic, for SFP slot 12 x cap, plastic, for SFP slot 20 x cap, plastic, for SFP slot 32 x cap, plastic, for SFP slot
Power Supply	1 x power cord, EU type 1 x power cord, US type

Documentation	1 x quick installation guide 1 x warranty card
Note	SFP modules need to be purchased separately for use with this product.

## 寸法

単位: mm (インチ)



## 注文情報

Model Name	Layer	10GbE SFP+ Slots	Combo Ports 10/100/ 1000BaseT(X) or 100/ 1000BaseSFP+	100/1000BaseSFP Slots	10/100/ 1000BaseT(X) Ports (RJ45 Connector)	Operating Temp.
ICS-G7528A-4XG-HV-HV-T	2	4	4	0	20	-40 to 75°C
ICS-G7528A-8GSFP-4XG-HV-HV-T	2	4	4	8	12	-40 to 75°C
ICS-G7528A-20GSFP-4XG-HV-HV-T	2	4	4	20	0	-40 to 75°C

## アクセサリ (別売)

### Storage Kits

ABC-02-USB	Configuration backup and restoration tool, firmware upgrade, and log file storage tool for managed Ethernet switches and routers, 0 to 60°C operating temperature
------------	-------------------------------------------------------------------------------------------------------------------------------------------------------------------

### SFP Modules

SFP-1FELLC-T	SFP module with 1 100Base single-mode with LC connector for 80 km transmission, -40 to 85°C operating temperature
SFP-1FEMLC-T	SFP module with 1 100Base multi-mode, LC connector for 2/4 km transmission, -40 to 85°C operating temperature
SFP-1FESLC-T	SFP module with 1 100Base single-mode with LC connector for 40 km transmission, -40 to 85°C operating temperature
SFP-1G10ALC	WDM-type (BiDi) SFP module with 1 1000BaseSFP port with LC connector for 10 km transmission; TX 1310 nm, RX 1550 nm, 0 to 60°C operating temperature
SFP-1G10ALC-T	WDM-type (BiDi) SFP module with 1 1000BaseSFP port with LC connector for 10 km transmission; TX 1310 nm, RX 1550 nm, -40 to 85°C operating temperature
SFP-1G10BLC	WDM-type (BiDi) SFP module with 1 1000BaseSFP port with LC connector for 10 km transmission; TX 1550 nm, RX 1310 nm, 0 to 60°C operating temperature

SFP-1G10BLC-T	WDM-type (BiDi) SFP module with 1 1000BaseSFP port with LC connector for 10 km transmission; TX 1550 nm, RX 1310 nm, -40 to 85°C operating temperature
SFP-1G20ALC	WDM-type (BiDi) SFP module with 1 1000BaseSFP port with LC connector for 20 km transmission; TX 1310 nm, RX 1550 nm, 0 to 60°C operating temperature
SFP-1G20ALC-T	WDM-type (BiDi) SFP module with 1 1000BaseSFP port with LC connector for 20 km transmission; TX 1310 nm, RX 1550 nm, -40 to 85°C operating temperature
SFP-1G20BLC	WDM-type (BiDi) SFP module with 1 1000BaseSFP port with LC connector for 20 km transmission; TX 1550 nm, RX 1310 nm, 0 to 60°C operating temperature
SFP-1G20BLC-T	WDM-type (BiDi) SFP module with 1 1000BaseSFP port with LC connector for 20 km transmission; TX 1550 nm, RX 1310 nm, -40 to 85°C operating temperature
SFP-1G40ALC	WDM-type (BiDi) SFP module with 1 1000BaseSFP port with LC connector for 40 km transmission; TX 1310 nm, RX 1550 nm, 0 to 60°C operating temperature
SFP-1G40ALC-T	WDM-type (BiDi) SFP module with 1 1000BaseSFP port with LC connector for 40 km transmission; TX 1310 nm, RX 1550 nm, -40 to 85°C operating temperature
SFP-1G40BLC	WDM-type (BiDi) SFP module with 1 1000BaseSFP port with LC connector for 40 km transmission; TX 1550 nm, RX 1310 nm, 0 to 60°C operating temperature
SFP-1G40BLC-T	WDM-type (BiDi) SFP module with 1 1000BaseSFP port with LC connector for 40 km transmission; TX 1550 nm, RX 1310 nm, -40 to 85°C operating temperature
SFP-1GEZXLC	SFP module with 1 1000BaseEZX port with LC connector for 110 km transmission, 0 to 60°C operating temperature
SFP-1GEZXLC-120	SFP module with 1 1000BaseEZX port with LC connector for 120 km transmission, 0 to 60°C operating temperature
SFP-1GLHLC	SFP module with 1 1000BaseLH port with LC connector for 30 km transmission, 0 to 60°C operating temperature
SFP-1GLHLC-T	SFP module with 1 1000BaseLH port with LC connector for 30 km transmission, -40 to 85°C operating temperature
SFP-1GLHXC	SFP module with 1 1000BaseLHX port with LC connector for 40 km transmission, 0 to 60°C operating temperature
SFP-1GLHXC-T	SFP module with 1 1000BaseLHX port with LC connector for 40 km transmission, -40 to 85°C operating temperature
SFP-1GLSXC	SFP module with 1 1000BaseLSX port with LC connector for 1km/2km transmission, 0 to 60°C operating temperature
SFP-1GLSXC-T	SFP module with 1 1000BaseLSX port with LC connector for 1km/2km transmission, -40 to 85°C operating temperature
SFP-1GLXLC	SFP module with 1 1000BaseLX port with LC connector for 10 km transmission, 0 to 60°C operating temperature
SFP-1GLXLC-T	SFP module with 1 1000BaseLX port with LC connector for 10 km transmission, -40 to 85°C operating temperature
SFP-1GSXC	SFP module with 1 1000BaseSX port with LC connector for 300m/550m transmission, 0 to 60°C operating temperature
SFP-1GSXC-T	SFP module with 1 1000BaseSX port with LC connector for 300m/550m transmission, -40 to 85°C operating temperature
SFP-1GZXLC	SFP module with 1 1000BaseZX port with LC connector for 80 km transmission, 0 to 60°C operating temperature
SFP-1GZXLC-T	SFP module with 1 1000BaseZX port with LC connector for 80 km transmission, -40 to 85°C operating temperature
SFP-1GTXRJ45-T	SFP module with 1 1000BaseT port with RJ45 connector for 100 m transmission, -40 to 75°C operating temperature
SFP-10GERLC-T	SFP+ module with 1 10GBase-ER port, LC connector for 40 km transmission, -40 to 85°C operating temperature
SFP-10GZRLC-T	SFP+ module with 1 10GBase-ZR port, LC connector for 80 km transmission, -40 to 85°C operating temperature
SFP-10GLRLC-T	SFP+ module with 1 10GBase-LR port, LC connector for 10 km transmission, -40 to 85°C operating temperature
SFP-10GSRLC-T	SFP+ module with 1 10GBase-SR port, LC connector for 33m/82m/300m/400m transmission, -40 to 85°C operating temperature

## Power Cords

PWC-C13CN-3B-183	Power cord with three-prong China (CN) plug, 1.83 m
PWC-C7AU-2B-183	Power cord with Australian (AU) plug, 2.5A/250V, 1.83 m
PWC-C13AU-3B-183	Power cord with Australian (AU) plug, 1.83 m
PWC-C7UK-2B-183	Power cord with United Kingdom (UK) plug, 2.5A/250V, 1.83 m
PWC-C13UK-3B-183	Power cord with United Kingdom (UK) plug, 1.83 m
PWC-C13US-3B-183	Power cord with United States (US) plug, 1.83 m
PWC-C7EU-2B-183	Power cord with Continental Europe (EU) plug, 2.5A/250V, 1.83 m
PWC-C7US-2B-183	Power cord with United States (US) plug, 10A/125V, 1.83 m
PWC-C13EU-3B-183	Power cord with Continental Europe (EU) plug, 1.83 m

## Software

MXview-50	Industrial network management software with a license for 50 nodes (by IP address)
MXview-100	Industrial network management software with a license for 100 nodes (by IP address)
MXview-250	Industrial network management software with a license for 250 nodes (by IP address)
MXview-500	Industrial network management software with a license for 500 nodes (by IP address)
MXview-1000	Industrial network management software with a license for 1000 nodes (by IP address)
MXview-2000	Industrial network management software with a license for 2000 nodes (by IP address)
MXview Upgrade-50	License expansion of MXview industrial network management software by 50 nodes (by IP address)

© Moxa Inc. All rights reserved.2023年10月20日更新。

Moxa Inc.の明白な許可を written で取得しない限り、本書およびその一部の複製や使用はいかなる方法やいかなる場合でも許可されません。製品の仕様は予告なく変更されることがあります。最新の製品情報については当社のWebサイトをご覧ください。