

V2403C 系列

無風扇堅固耐用的即用型 x86 工業物聯網嵌入式電腦



特色與優點

- Intel® Celeron®/Intel® Core™ i3/i5/i7 高效能網路錄影機，可供軌道車輛應用
- 眾多介面：雙顯示器 (HDMI、DP)、4 個串列埠、4 個 GbE 連接埠、4 個 DI、4 個 DO、4 個 USB 和 2 個用於無線的 Mini PCIe 插槽
- 具有 Ignition 開/關延遲的電源管理 (外部旋轉開關)
- E1 標章、符合 ISO 7637-2 和 MIL-STD-810G 標準
- 符合 EN 50121-4 標準

認證



簡介

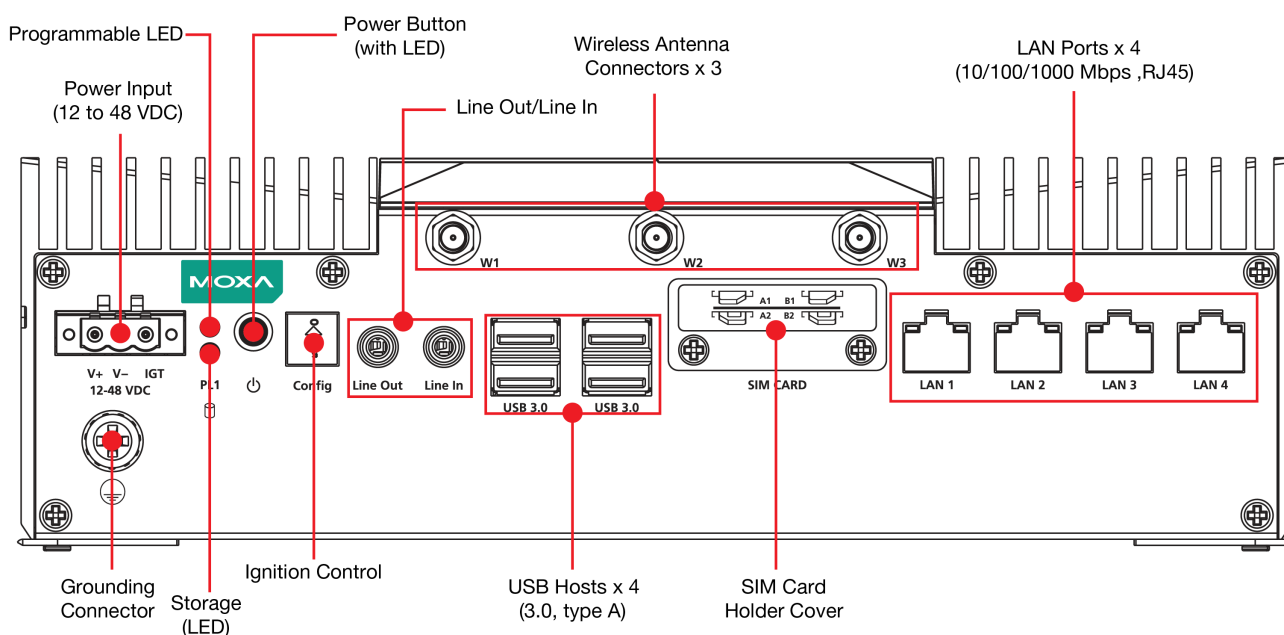
V2403C 系列嵌入式電腦搭載 Intel® Core™ i7/i5/i3 或 Intel® Celeron® 高效能處理器，並且配備高達 32 GB 記憶體、一個 mSATA 插槽，以及兩個 HDD/SSD 以備儲存空間擴充。這些電腦符合 EN 50121-4、E1 標誌和 ISO-7637-2 標準，因此成為軌道沿線和車載應用的理想選擇。

V2403C 電腦配備有各種豐富介面，包括 2 個 Gigabit 乙太網路連接埠、4 個 RS-232/422/485 串列埠、4 個 DI、4 個 DO 以及 4 個 USB 3.0 連接埠。此外，這些電腦提供 1 個 DisplayPort 輸出以及 1 個 HDMI 輸出，並且支援 4K 解析度。

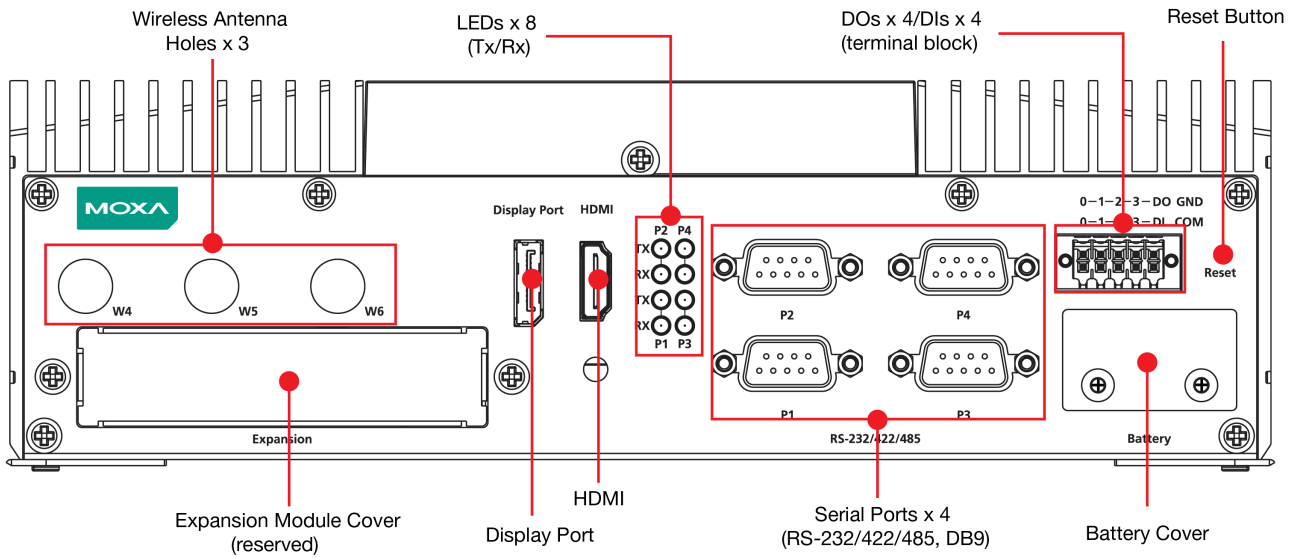
可靠的連線和良好的電源管理對於車載應用相當重要。這些電腦配備 2 個 mPCIe 無線擴充插槽和 4 個 SIM 卡插槽，能夠建立備援 LTE/Wi-Fi 連線。在電源管理方面，啟動和關閉延遲機制有助於避免系統故障和損壞。

外觀

前視圖



後視圖



規格

Computer

| | |
|---------------------|--|
| CPU | V2403C-KL1-T: Intel® Celeron® 3965U processor (2M Cache, 2.2 GHz) V2403C-KL3-T: Intel® Core™ i3-7100U processor (3M Cache, 2.4 GHz) V2403C-KL5-T: Intel® Core™ i5-7300U processor (3M Cache, 2.6 GHz) V2403C-KL7-T: Intel® Core™ i7-7600U processor (4M Cache, 2.8 GHz) |
| Storage Slot | 2.5-inch HDD/SSD slots x 2 mSATA slots x 1 |
| Supported OS | Linux Debian 9 Windows 10 Embedded IoT Ent 2019 LTSC 64-bit |
| System Memory Slot | SODIMM DDR4 slot x 2 |
| DRAM | 32 GB max |
| Graphics Controller | Celeron Model: Intel HD Graphics 610 i3/i5/i7 Models: Intel HD Graphics 620 |

Computer Interface

| | |
|----------------------------|---|
| Ethernet Ports | Auto-sensing 10/100/1000 Mbps ports (RJ45 connector) x 4 |
| Serial Ports | RS-232/422/485 ports x 4, software selectable (DB9 male) |
| Digital Output | DOs x 4 |
| Digital Input | DIs x 4 |
| USB 3.0 | USB 3.0 hosts x 4, type-A connectors |
| Audio Input/Output | Line in x 1, Line out x 1, 3.5 mm phone jack |
| Video Output | HDMI x 1, HDMI connector (standard) DP x 1, DisplayPort connector (standard) |
| Wi-Fi Antenna Connector | RP-SMA x 3 |
| Cellular Antenna Connector | SMA x 2 (optional) |

| | |
|-----------------------|---------------------|
| GPS Antenna Connector | SMA x 1, (optional) |
| Expansion Slots | mPCIe slot x 2 |
| SIM Format | Micro |
| Number of SIMs | 4 |

Digital Inputs

| | |
|-------------------------|--|
| Connector | Screw-fastened Euroblock terminal |
| I/O Mode | DI |
| Isolation | 3k VDC |
| Sensor Type | Wet contact (NPN or PNP) Dry contact |
| Dry Contact | Logic 0: Short to GND Logic 1: Open |
| Wet Contact (DI to COM) | Logic 0: 0 to 3 VDC Logic 1: 10 to 30 VDC |

Digital Outputs

| | |
|----------------|-----------------------------------|
| Connector | Screw-fastened Euroblock terminal |
| Current Rating | 200 mA per channel |
| I/O Type | Sink |
| Voltage | 0 to 30 VDC |
| Isolation | 3k VDC |

LED Indicators

| | |
|--------|-------------------------------|
| System | Power x 1 Storage x 1 |
| LAN | 2 per port (10/100/1000 Mbps) |
| Serial | 2 per port (Tx, Rx) |

Serial Interface

| | |
|--------------|--|
| Baudrate | 50 bps to 115.2 kbps |
| Connector | DB9 male |
| ESD | Contact: 6 kV; Air: 8 kV (level 3) |
| Isolation | 2 kV |
| Data Bits | 5, 6, 7, 8 |
| Flow Control | RTS/CTS, XON/XOFF, ADDC® (automatic data direction control) for RS-485, RTS Toggle (RS-232 only) |
| Parity | None, Even, Odd, Space, Mark |
| Stop Bits | 1, 1.5, 2 |

Serial Signals

| | |
|-----------|--|
| RS-232 | TxD, RxD, RTS, CTS, DTR, DSR, DCD, GND |
| RS-422 | Tx+, Tx-, Rx+, Rx-, GND |
| RS-485-2w | Data+, Data-, GND |
| RS-485-4w | Tx+, Tx-, Rx+, Rx-, GND |

Power Parameters

| | |
|--------------------------|----------------|
| Input Voltage | 12 to 48 VDC |
| Power Connector | Terminal block |
| Power Consumption (Max.) | 70 W (max.) |

Physical Characteristics

| | |
|---------------------------|---|
| Housing | Aluminum |
| IP Rating | IP20 |
| Dimensions (without ears) | 250 x 75 x 150 mm (9.84 x 2.95 x 5.91 in) |
| Weight | 2,500 g (5.51 lb) |
| Installation | Wall mounting (standard) |

Environmental Limits

| | |
|--|----------------------------|
| Operating Temperature | -40 to 70°C (-40 to 158°F) |
| Storage Temperature (package included) | -40 to 85°C (-40 to 185°F) |
| Ambient Relative Humidity | 5 to 95% (non-condensing) |

Standards and Certifications

| | |
|-----------|--|
| EMI | CISPR 32, FCC Part 15B Class A |
| EMS | IEC 61000-4-2 ESD: Contact: 6 kV; Air: 8 kV IEC 61000-4-3 RS: 80 MHz to 1 GHz: 20 V/m IEC 61000-4-4 EFT: Power: 2 kV; Signal: 2 kV IEC 61000-4-5 Surge: Power: 2 kV IEC 61000-4-6 CS: 10 V IEC 61000-4-8 PFMF |
| EMC | EN 55032/35 |
| Safety | EN 62368-1, IEC 62368-1, UL 62368-1 |
| Railway | EN 50121-4 |
| Shock | IEC 60068-2-27, IEC 61373, MIL-STD-810G |
| Vibration | IEC 60068-2-64, IEC 61373, MIL-STD-810G |

Declaration

| | |
|---------------|-------------------|
| Green Product | RoHS, CRoHS, WEEE |
|---------------|-------------------|

MTBF

| | |
|-----------|--------------------------|
| Time | 464,506 hrs |
| Standards | Telcordia (Bellcore), GB |

Warranty

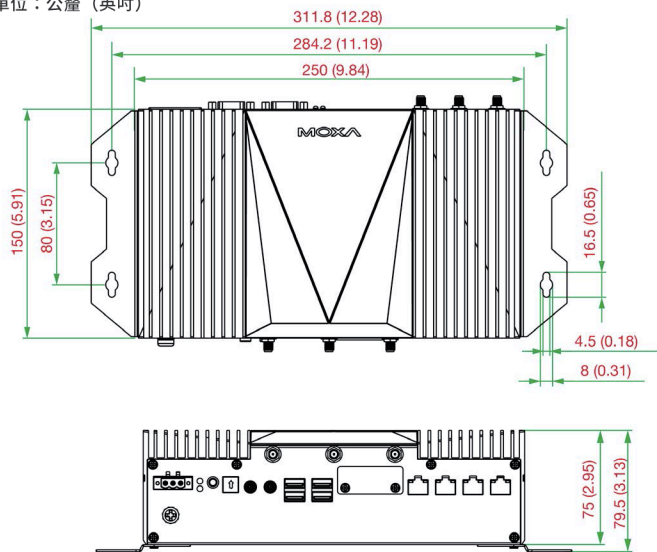
| | |
|-----------------|--|
| Warranty Period | 3 years |
| Details | See www.moxa.com/tw/warranty |

Package Contents

| | |
|------------------|--|
| Device | 1 x V2403C Series computer |
| Installation Kit | 2 x SSD/HDD trays 1 x clamp for HDMI cable 1 x wall-mounting kit |
| Documentation | 1 x quick installation guide 1 x warranty card |

尺寸

單位：公釐（英吋）



訂購資訊

| Model Name | CPU | Memory (built-in) | Optional OS Storage (mSATA) | Optional SSD/HDD | USB Ports | Power Input | Operating Temp. | Conformal Coating |
|--------------|-----------------------|-------------------|-----------------------------|------------------|----------------------|---------------------------------|-----------------|-------------------|
| V2403C-KL1-T | Intel® Celeron® 3965U | - | 1 | 2 | 4 x USB 3.0 (type A) | 12 to 48 VDC (- Terminal Block) | -40 to 70°C | - |
| V2403C-KL3-T | Intel® Core™ i3-7100U | - | 1 | 2 | 4 x USB 3.0 (type A) | 12 to 48 VDC (- Terminal Block) | -40 to 70°C | - |
| V2403C-KL5-T | Intel® Core™ i5-7300U | - | 1 | 2 | 4 x USB 3.0 (type A) | 12 to 48 VDC (- Terminal Block) | -40 to 70°C | - |
| V2403C-KL7-T | Intel® Core™ i7-7600U | - | 1 | 2 | 4 x USB 3.0 (type A) | 12 to 48 VDC (- Terminal Block) | -40 to 70°C | - |

配件（選購）

Cables

CBL-M12(FF5P)/OPEN-100 IP67

A-coded M12-to-5-pin power cable, IP67-rated 5-pin female M12 connector, 1 m

Wi-Fi Wireless Modules

| | |
|----------------------|--|
| V2400-WLAN22-AC | SparkLAN WPEQ-261ACNI (BT) Wi-Fi mini card, 4 black screws |
| V2406C TPM2.0 Module | SLB9665XT2.0 TPM 2.0 module |
| V2400 Cover-DB9 | Dual DB9 expansion cover, 4 male hex standoff spacer pillars |

Cellular Wireless Modules

| | |
|-------------------|--|
| V2403C-LTECat4-AP | Telit LE910C4 LTE Cat. 4 mini card for the Asia-Pacific region, 3 SMA antenna cables |
| V2403C-LTECat4-EU | Telit LE910C4 LTE Cat. 4 mini card for Europe, 3 SMA antenna cables |
| V2403C-LTECat4-NF | Telit LE910C4 LTE Cat. 4 mini card for North America, 3 SMA antenna cables |

© Moxa Inc. 版權所有.2022 年 1 月 30 日更新。

未經 Moxa Inc. 明確書面許可，不得以任何方式複製或使用本文件及其任何部分。產品規格如有變更，恕不另行通知。請至本公司官網了解最新的產品資訊。