

DA-920E Series

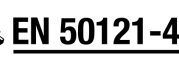
IEC 61850-3 2U rackmount servers with Intel® Xeon® Ice Lake D processor, hot-swappable power modules, out-of-band management support, -25 to 55°C operating temperature



Features and Benefits

- IEC 61850-3, IEEE 1613, and IEC 60255 compliant power-automation server
- EN 50121-4 compliant for railway wayside applications
- Intel® Xeon® D-1834 processor
- Up to 256 GB RAM (4 built-in RDIMM DDR4 memory slots)
- 4 SSD slots with Intel® RAID 0/1/5/10 support
- 1 PCIe x16, 1 PCIe x8, and 1 PCIe x4 slots for expansion modules
- Security options such as TPM 2.0, UEFI Secure Boot and physical security
- -25 to 55°C operating temperature

Certifications

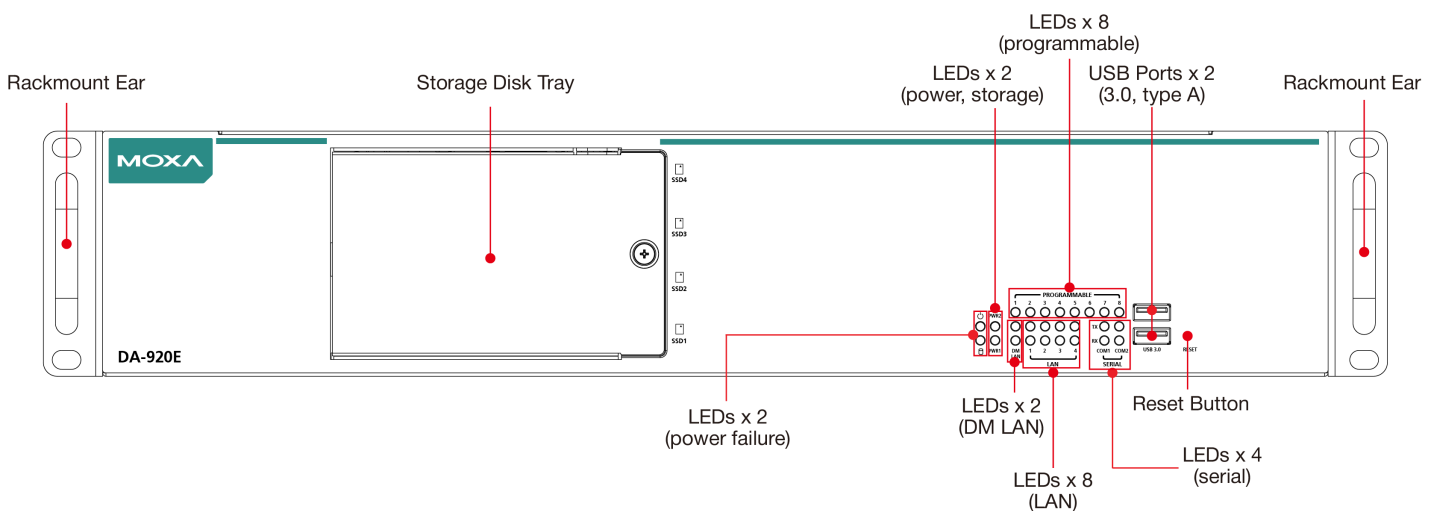


Introduction

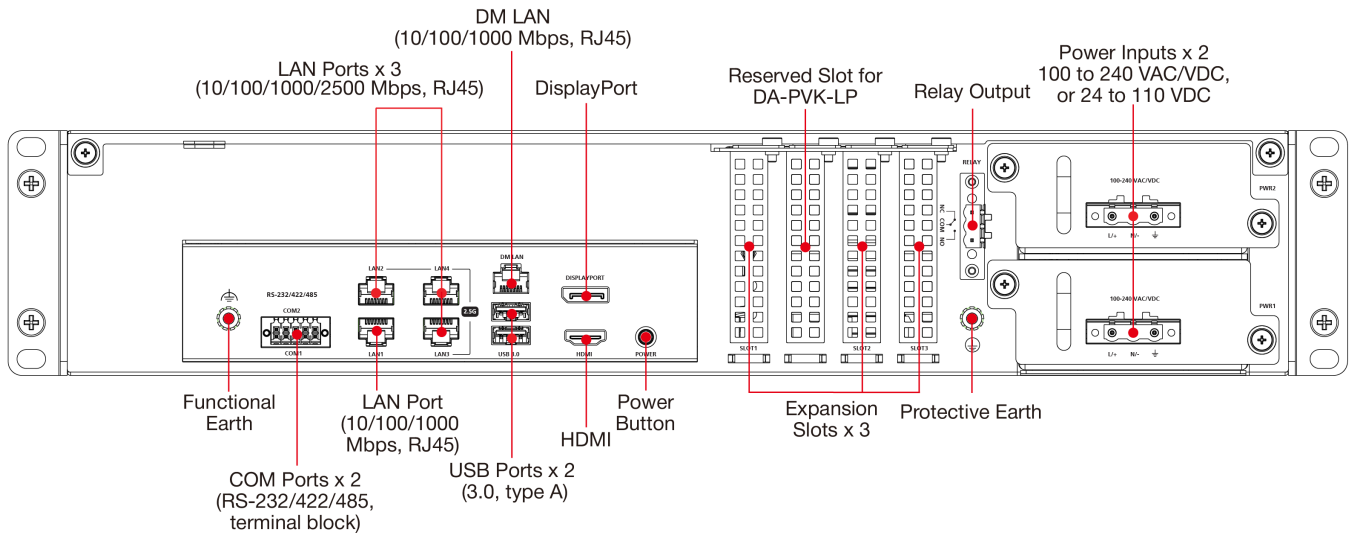
DA-920E is a 2U rackmount fanless industrial server built for harsh environments, virtualized protection, automation, and control (vPAC), and substation automation. The computer is compliant with IEC 61850-3, IEEE 1613, and IEC 60255 requirements. Powered by Intel® Xeon® D processor with up to 256 GB ECC memory, the DA-920E delivers high-performance, deterministic reliability, and is optimized for virtualization applications. With single or dual wide-range PSUs and RAID storage, the DA-920E ensures reliable computing in modern substations.

Appearance

Front View



Rear View



Specifications

Computer

CPU	Intel® Xeon® D-1834 (8 Cores)
System Memory Slot	RDIMM/UDIMM DDR4 slots x 4 (256 GB max.)
DRAM	256 GB max. (RDIMM/UDIMM x 4, each supporting up to 2666 MHz and 64 GB max. per module)
Graphics Controller	AST2600 (DisplayPort) SM768 (HDMI)
Storage Slot	M.2 M-key 2280 sockets x 1 (NVMe PCIe Gen 3 x2) 2.5-inch SSD slots x 4 (SATA)
Supported OS	Windows drivers: Windows Server 2022 Windows Server 2025 Linux drivers (via x86 Linux SDK Wizard): - Canonical® Ubuntu® Server LTS 22.04 - Canonical® Ubuntu® Server LTS 24.04 - Red Hat® Enterprise Linux 9 - Debian 13

Computer Interface

Ethernet Ports	Auto-sensing 10/100/1000 Mbps ports (RJ45 connector) x 2, 1 shared LAN and 1 dedicated management LAN, out-of-band management support Auto-sensing 10/100/1000/2500 Mbps ports (RJ45 connector) x 3
Serial Ports	RS-232/422/485 ports x 2 (software-selectable, Terminal-block connector)
Expansion Slots	PCIe x16 slot x 1 (Gen 4, low-profile) PCIe x8 slot x 1 (Gen 3, low-profile) PCIe x4 slots x 1 (Gen 3, low-profile)
USB 3.0	USB 3.2 hosts x 4 (Gen1, front 2, rear 2)
Video Output	DisplayPort x 1 (default display) (1.1a, up to 1920 x 1080 resolution at 60 Hz) HDMI x 1, HDMI connector (type A) (1.4a, up to 1920 x 1200 resolution @ 60Hz)
Secure Boot	UEFI
TPM	TPM v2.0

Out-of-band Management

BMC	IPMI Redfish Web UI
-----	---------------------------

Serial Interface

Bitrate	50 bps to 921.6 kbps
Connector	Terminal block
Isolation	2 kV
Serial Standards	RS-232/422/485-2W/485-4W

Serial Signals

RS-232	TxD, RxD, RTS, CTS, GND
RS-422	Tx+, Tx-, Rx+, Rx-, GND
RS-485-2w	Data+, Data-, GND
RS-485-4w	Tx+, Tx-, Rx+, Rx-, GND

Relays

Relay Output	1
--------------	---

LED Indicators

System	Power x 1 Storage x 1 Power failure detection x 2 Programmable x 8
Serial	2 per port (Tx, Rx)
LAN	2 per port (10/100/1000/2500 Mbps)

Power Parameters

Input Voltage	DA-PWR-200-HV: 100 to 240 VAC/VDC DA-PWR-200-WV: 24 to 110 VDC
Operating Voltage	DA-PWR-200-HV: 90 to 264 VAC/VDC DA-PWR-200-WV: 21.6 to 121 VDC
Power Button	Reset button (front panel) ON/OFF (rear panel)

Physical Characteristics

Housing	Metal
IP Rating	IP20
Dimensions (without ears)	440 x 330 x 88 mm (17.32 x 12.99 x 3.46 in)
Weight	9530 g (21.01 lb)
Installation	19-inch rack mounting

Environmental Limits

Operating Temperature	-25 to 55°C (-13 to 131°F)
Storage Temperature (package included)	-40 to 85°C (-40 to 185°F)
Ambient Relative Humidity	5 to 95% (non-condensing)

Standards and Certifications

EMC	EN 61000-6-2/-6-4 EN 55032/35
EMI	CISPR 32, FCC Part 15B Class A
EMS	IEC 61000-4-2 ESD: Contact: 8 kV; Air: 15 kV IEC 61000-4-3 RS: 80 MHz to 1 GHz: 10 V/m IEC 61000-4-4 EFT: Power: 4 kV; Signal: 4 kV IEC 61000-4-5 Surge: Power: 4 kV; Signal: 4 kV IEC 61000-4-6 CS: 10 V IEC 61000-4-8: 20 A/m IEC 61000-4-11
Protection Relay	IEC 60255
International Approval	BSMI KC
Power Substation	IEC 61850-3 IEEE 1613
Railway	EN 50121-4
Safety	UL 62368-1

Declaration

Green Product	RoHS, CRoHS, WEEE
---------------	-------------------

MTBF

Time	764,241 hrs
Standards	Telcordia SR-332 Standard Issue 4

Warranty

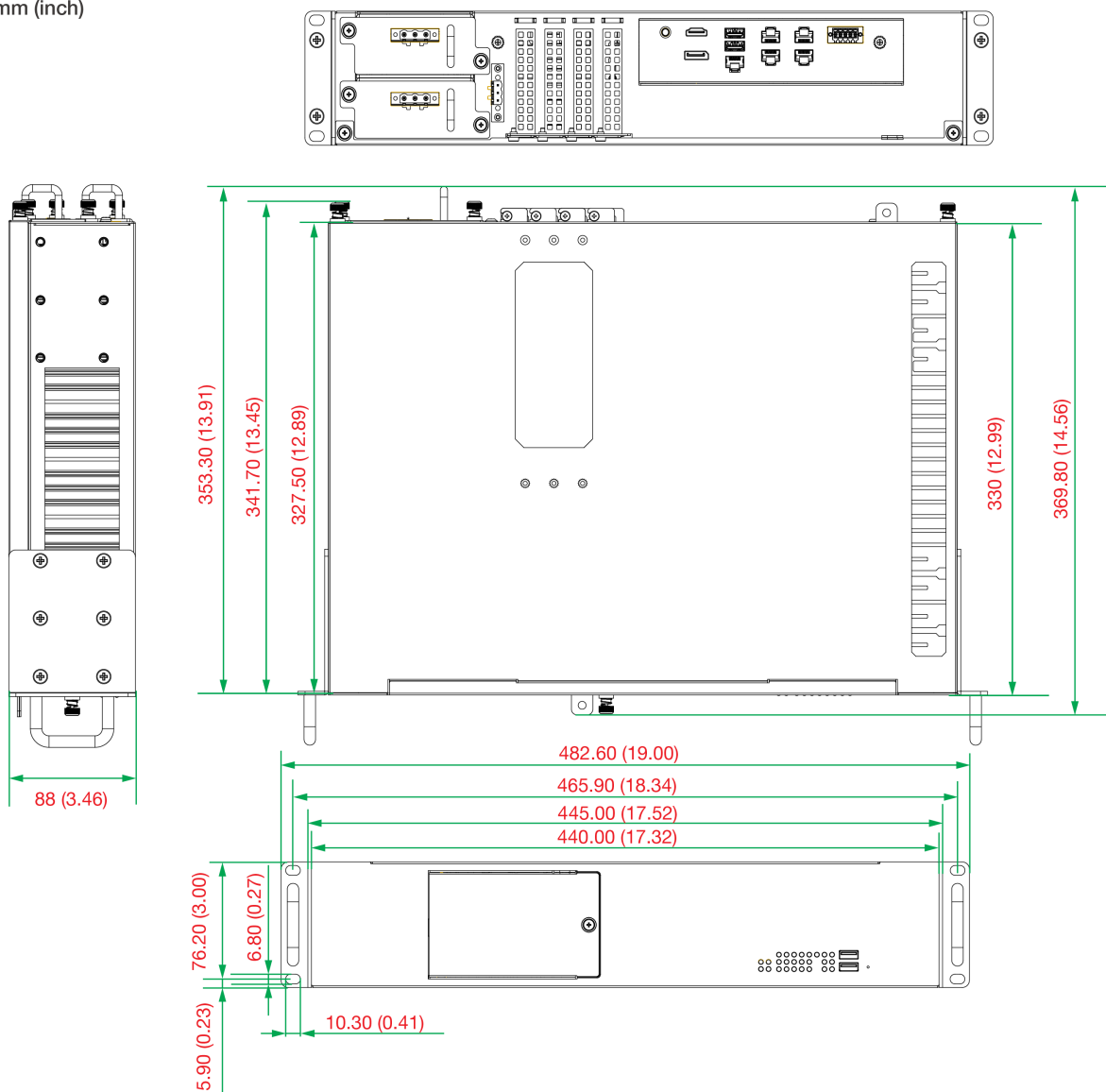
Warranty Period	3 years
Details	See www.moxa.com/warranty

Package Contents

Device	1 x DA-920E Series server
Installation Kit	1 x rack-mounting kit 1 or 2 terminal blocks for the power supply 1 terminal block for the COM port 1 terminal block for the relay output A pack of thermal pads for the M.2 storage and memory modules A pack of 4 backup screws for memory modules A pack of 16 screws for mounting the SSD 1 x USB dongle kit
Documentation	1 x quick installation guide 1 x warranty card
Note	This product requires additional modules (sold separately) to function.

Dimensions

Unit: mm (inch)



Ordering Information

Model Name	CPU	Power Modules Included	Operating Temperature
DA-920E-X08-H	Intel® Xeon® D-1834 (8 Cores)	1 x DA-PWR-200-HV	-25 to 55°C
DA-920E-X08-HH	Intel® Xeon® D-1834 (8 Cores)	2 x DA-PWR-200-HV	-25 to 55°C
DA-920E-X08-W	Intel® Xeon® D-1834 (8 Cores)	1 x DA-PWR-200-WV	-25 to 55°C
DA-920E-X08-WW	Intel® Xeon® D-1834 (8 Cores)	2 x DA-PWR-200-WV	-25 to 55°C
DA-920E-X08-HW	Intel® Xeon® D-1834 (8 Cores)	1 x DA-PWR-200-HV 1 x DA-PWR-200-WV	-25 to 55°C

Accessories (sold separately)

Power Modules

DA-PWR-200-HV	Hot-swappable 100 to 240 VAC/VDC power module with system power input and terminal block for DA-920E Series computers
DA-PWR-200-WV	Hot-swappable 24 to 110 VDC power module with system power input and terminal block for DA-920E Series computers

Thermal Kits

DA-PVK-LP	Passive ventilation kit for cooling the PCIe slot area
-----------	--

© Moxa Inc. All rights reserved. Updated Jul 10, 2026.

This document and any portion thereof may not be reproduced or used in any manner whatsoever without the express written permission of Moxa Inc. Product specifications subject to change without notice. Visit our website for the most up-to-date product information.