

TN-5508A/5510A Series Quick Installation Guide

Moxa ToughNet Switch

Version 4.2, August 2023

Technical Support Contact Information
www.moxa.com/support

MOXA[®]

© 2023 Moxa Inc. All rights reserved.

P/N: 1802055080024



Overview

The ToughNet TN-5508A/5510A series M12 managed Ethernet switches are designed for industrial applications in harsh environments. The TN Series switches use M12 connectors to ensure tight, robust connections, and guarantee reliable operation against environmental disturbances, such as vibration and shock. The wide 24 to 110 VDC with dual power input increases the reliability of your communications.

The TN-5508A Series includes PoE and non-PoE switches.

- TN-5508A Series: 8 Fast Ethernet M12 ports.
- TN-5508A-8PoE Series: 8 PoE Fast Ethernet M12 ports.

The TN-5510A Series also includes PoE and non-PoE switches.

- TN-5510A-2GTX Series: 8 Fast Ethernet M12 ports, supports additional 2 Gigabit ports located on the bottom of the unit, with or without bypass function.
- TN-5510A-2GLSX Series: 8 Fast Ethernet M12 ports, supports additional 2 Gigabit fiber ports located on the bottom of the unit with embedded multi-mode Q-ODC® interface.
- TN-5510A-8PoE-2GTX Series: 8 PoE Fast Ethernet M12 ports, supports additional 2 Gigabit ports located on the bottom of the unit, with or without bypass function.
- TN-5510A-8PoE-2GLSX Series: 8 PoE Fast Ethernet M12 ports, supports additional 2 Gigabit fiber ports located on the bottom of the unit with embedded multi-mode Q-ODC® interface.

The -40 to 75°C operating temperature and IP54 rated waterproof enclosure allow deployment in harsh environments. The TN-5508A/5510A Series Ethernet switches are compliant with mandatory sections of the EN 50155 standard covering operating temperature, power input voltage, surge, ESD, and vibration, as well as conformal coating and power insulation, making the switches suitable for a variety of industrial applications.

Package Checklist

Your ToughNet TN-5508A/5510A switch is shipped with the following items. If any of these items is missing or damaged, please contact your customer service representative for assistance.

- 1 Moxa ToughNet switch
- Panel mounting screws
- Quick installation guide (printed)
- Warranty card

Features

Anti-Vibration Circular Connectors for Robust Links

- M12 D-coding 4-pin female connectors for Fast Ethernet 10/100BaseT(X) ports
- M12 X-coded 8-pin female connectors for Gigabit Ethernet 10/100/1000BaseT(X) ports
- Fiber-optic ODC connectors with embedded 2 km Gigabit Ethernet 1000BaseLSX ports
- M12 A-coding 5-pin male connectors for console and relay output.
- M23 6-pin male connectors for power input

Isolated Power Inputs

- Supports 24-110 VDC (16.8 to 137.5 VDC)

High Performance Network Switching Technology

- IPv6 ready, certified by the IPv6 Logo Committee
- DHCP Option 82 for IP address assignment with different policies
- Turbo Ring and Turbo Chain (recovery time <20 ms @250 switches),and STP/RSTP/MSTP for network redundancy
- IGMP Snooping V1/V2/V3, IGMP Querier, and GMRP for filtering multicast traffic
- Port-based VLAN, IEEE802.1Q VLAN, and GVRP protocol to ease network planning
- QoS (IEEE 802.1p/1Q and ToS/DiffServ) allows real-time traffic classification and prioritization
- IEEE 802.3ad, LACP for optimum bandwidth utilization
- TACACS+, SNMPv3, IEEE 802.1X, HTTPS, and SSH to enhance network security
- SNMP v1/v2c/v3 for different levels of network management
- RMON for efficient network monitoring and proactive capability
- Bandwidth management prevents unpredictable network status
- Lock port allows access by only authorized MAC addresses
- Port mirroring for online debugging
- Automatic warning by exception through email, relay output
- Automatic recovery of connected devices' IP addresses
- Line-swap fast recovery.
- LLDP for automatic topology discovery through network management software
- Loop protection prevents network loops
- Configurable through Web browser, Telnet/Serial console, CLI, and Windows utility

Designed for Industry-specific Applications

- Two Gigabit Ethernet ports to meet high bandwidth requirements
- Bypass relay option on the 2 Gigabit Ethernet ports ensure non-stop data communication in the event a switch stops working due to a power failure
- Complies with all EN 50155 mandatory test items*
- -40 to 75°C operating temperature range
- IP54 rugged high-strength case
- Panel mounting or DIN-Rail mounting installation capability

*This product is suitable for rolling stock railway applications, as defined by the EN 50155 standard. For a more detailed statement, click here: www.moxa.com/doc/specs/EN_50155_Compliance.pdf

Recommended Optional Accessories

- CBL-M23(FF6P)Open-BK-100-IP67: 1-meter M23 to 6-pin power cable with IP67-rated female 6-pin M23 connector
- CBL-M12D(MM4P)/RJ45-100 IP67: 1-meter M12-to-RJ45 Cat-5E UTP Ethernet cable with IP67-rated male 4-pin M12 D-coded connector
- CBL-M12DMM4PM12DMM4P-BK-100-IP67: 1-meter M12-to-M12 Cat-5E STP Ethernet cable with waterproof 4-pin D-coded M12 connector
- CBL-M12(FF5P)/OPEN-100 IP67: 1-meter M12-to-5-pin power cable with IP67-rated female 5-pin M12 A-coded connector

- CBL-M12FF5PF9-BK-150-IP67: 1.5-meter M12-to-DB9 Cat-5E STP Ethernet cable with waterproof 5-pin D-coded M12 connector
- CBL-M12XMM8P-Y-100-IP67: 1-meter M12-to-M12 Cat-5 UTP Ethernet cable with IP67-rated 8-pin male X-coded crimp type M12 connector
- CBL-M12XMM8P-Y-300-IP67: 3-meter M12-to-M12 Cat-5 UTP Ethernet cable with IP67-rated 8-pin male X-coded crimp type M12 connector
- CBL-M12XMM8PRJ45-Y-200-IP67: 2-meter M12-to-RJ45 Cat-5 UTP Ethernet cable with IP67-rated 8-pin male X-coded crimp type M12 connector
- M12D-4P-IP68: Field-installable M12 D-coded screw-in connector, male 4-pin, IP68-rated
- M12A-5P-IP68: Field-installable M12 A-coded screw-in connector, female 5-pin, IP68-rated
- M12X-8PMM-IP67-HTG: Field-installable M12 X-coded crimp type, slim design connector, male 8-pin, IP67-rated
- M12D-4PMM-IP67: M12 D-coded connector, QUICKON type, male 4-pin, IP67-rated
- A-PLG-WPM23-01: M23 cable connector, female 6-pin, crimp type.
- A-CAP-M12M-M: Metal cap for M12 male connector
- CAP-M12F-M-PP: Metal cap for M12 female connector
- ABC-01-P-M12-CT-T: Configuration backup and restoration tool with M12 connector for ToughNet Series EN 50155 managed Ethernet switches, -40 to 75°C operating temperature
- ABC-01-M12: Configuration backup and restoration tool with M12 connector for managed Ethernet switches and wireless APs/Bridges/Clients, 0 to 60°C operating temperature
- DK-DC50131: DIN-rail mounting kit, 50 x 131 mm



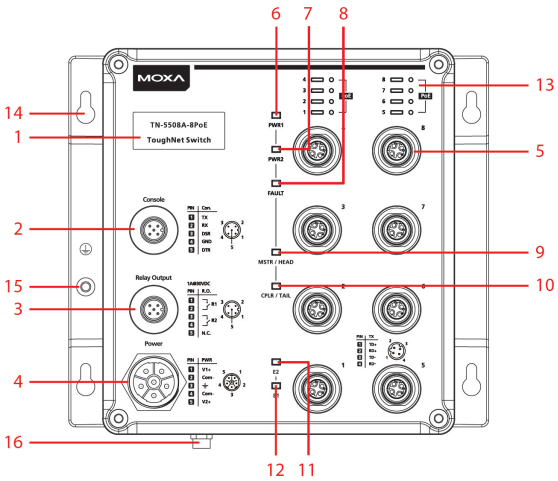
ATTENTION

The equipment is intended to be supplied by an external power source (UL listed/IEC 60950-1/IEC 62368-1) of which the output complies with ELV/ES2, LPS/PS2.

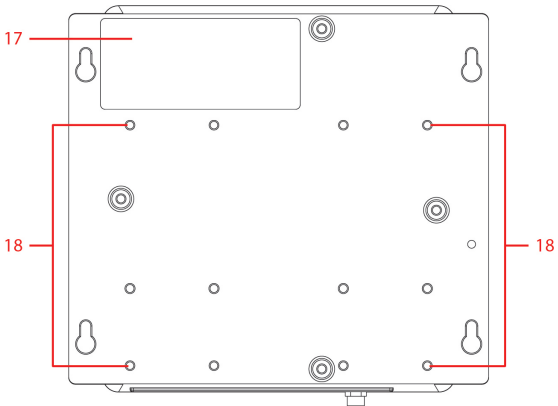
TN-5516/18A non-PoE models require an output rating of 24 to 110 VDC, 0.75 A min., at an ambient temperature of 75°C min. TN-5516/18A PoE models require an output rating of 24 to 110 VDC, 7.1 A min., at an ambient temperature of 75°C min.

TN-5508A/5510A Panel Layouts

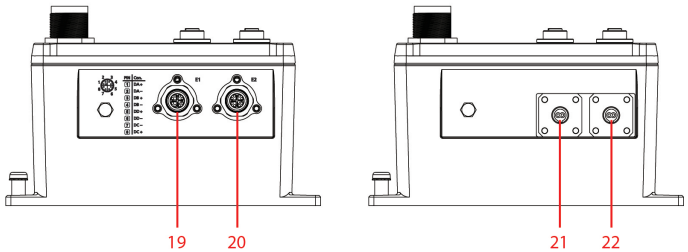
Front View



Rear View



Bottom View



1. Model name
2. Console port
3. Relay output port
4. Power input port (male 5-pin shielded M23 connector)
5. 10/100BaseT(X) port (M12 D-coded 4-pin female connector)
6. PWR1 LED: for power input 1
7. PWR2 LED: for power input 2
8. FAULT LED
9. MSTR/HEAD LED: for ring master or chain head
10. CPLR/TAIL LED: for ring coupler or chain tail
11. E1 LED: Not used by the TN-5508A/TN-5508A-8PoE models
12. E2 LED: Not used by the TN-5508A/TN-5508A-8PoE models
13. TP port's 10/100 Mbps LED
14. Screw holes for panel mounting kit
15. Grounding screw
16. Waterproof vent
17. Product label
18. Screw holes for DIN-Rail mounting kit
19. Gigabit Ethernet port E1 (corresponding to port 9 in the TN-5510A User's Manual) (For TN-5510A-2GTX/TN-5510A-8PoE-2GTX models)
20. Gigabit Ethernet port E2 (corresponding to port 10 in the TN-5510A User's Manual) (For TN-5510A-2GTX/TN-5510A-8PoE-2GTX models)
21. Gigabit fiber port E1 (corresponding to port 9 in the TN-5510A User's Manual) (For TN-5510A-2GLSX/TN-5510A-8PoE-2GLSX models)
22. Gigabit fiber port E2 (corresponding to port 10 in the TN-5510A User's Manual) (For TN-5510A-2GLSX/TN-5510A-8PoE-2GLSX models)

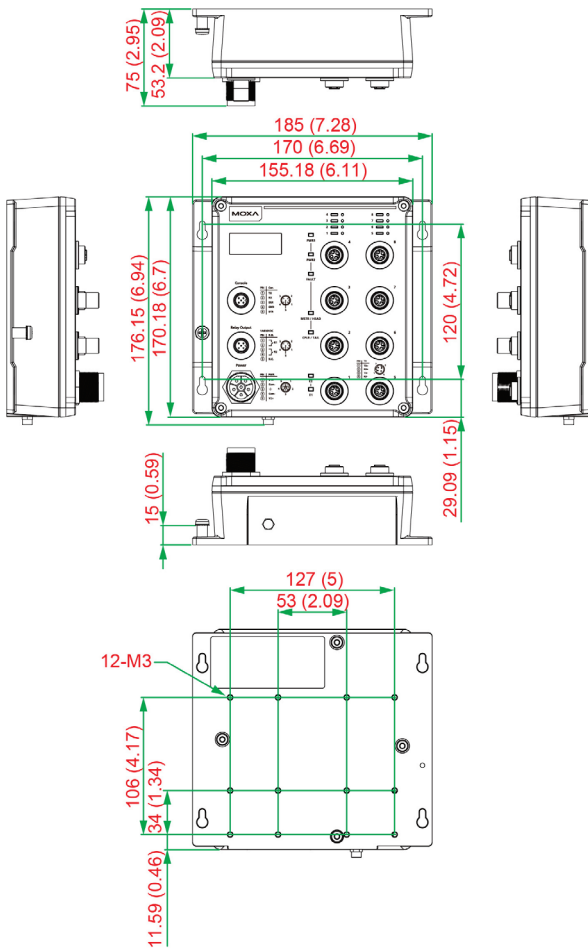


ATTENTION

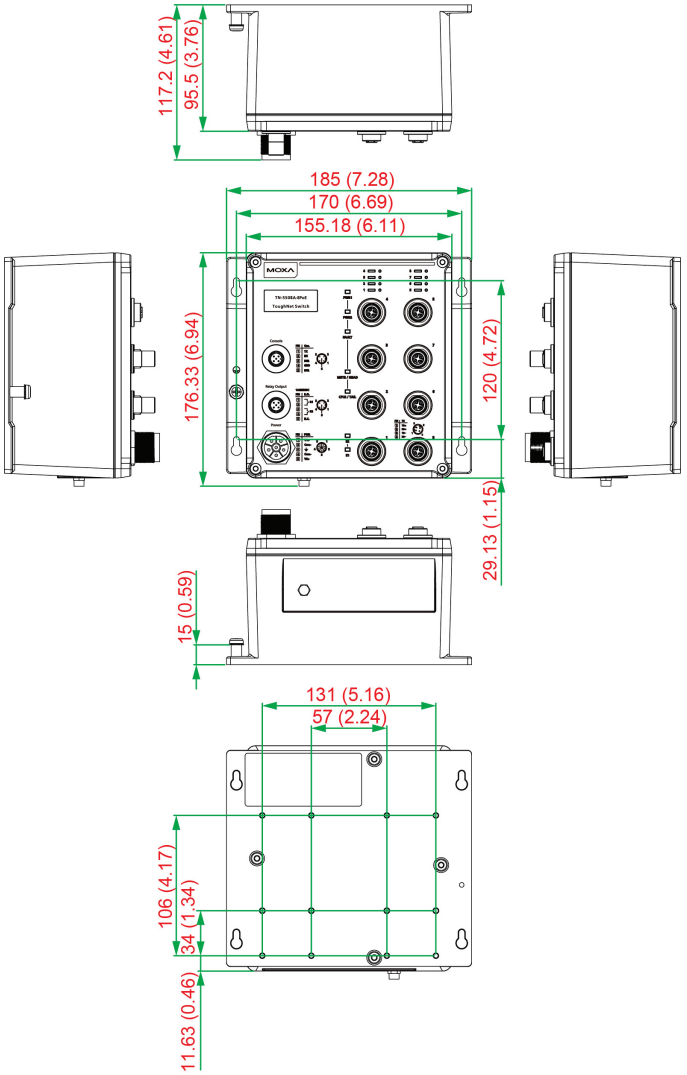
DO NOT open or remove the vent (#16). Once the seal has been removed, the warranty becomes invalid. Exposed connectors (including 2, 3, 5, 19, 20, 21, and 22) when not in use must be tightly covered with protective caps (an optional accessory) to ensure IP54-rated protection.

Mounting Dimensions (unit = mm)

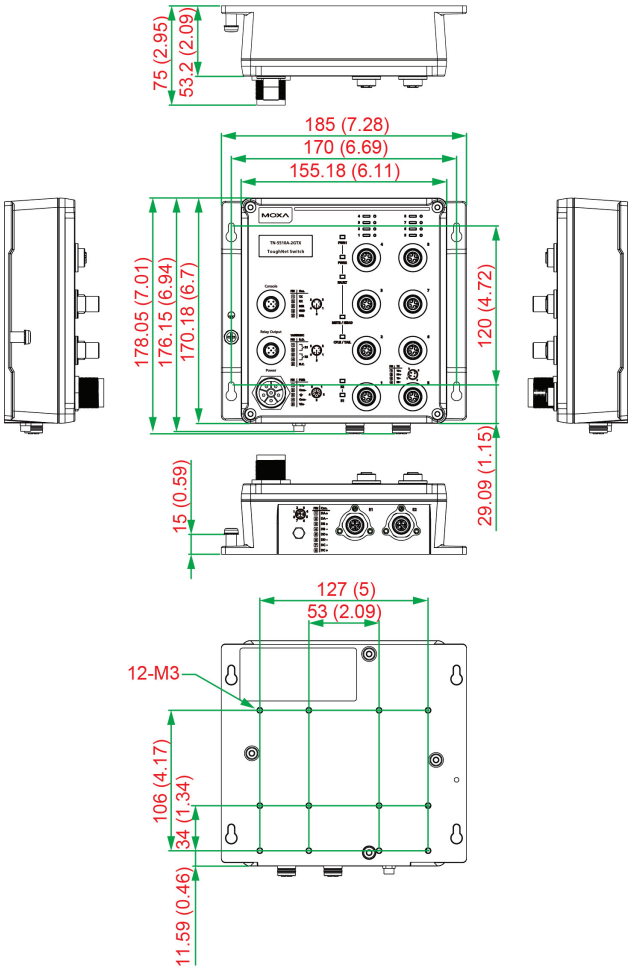
TN-5508A Series



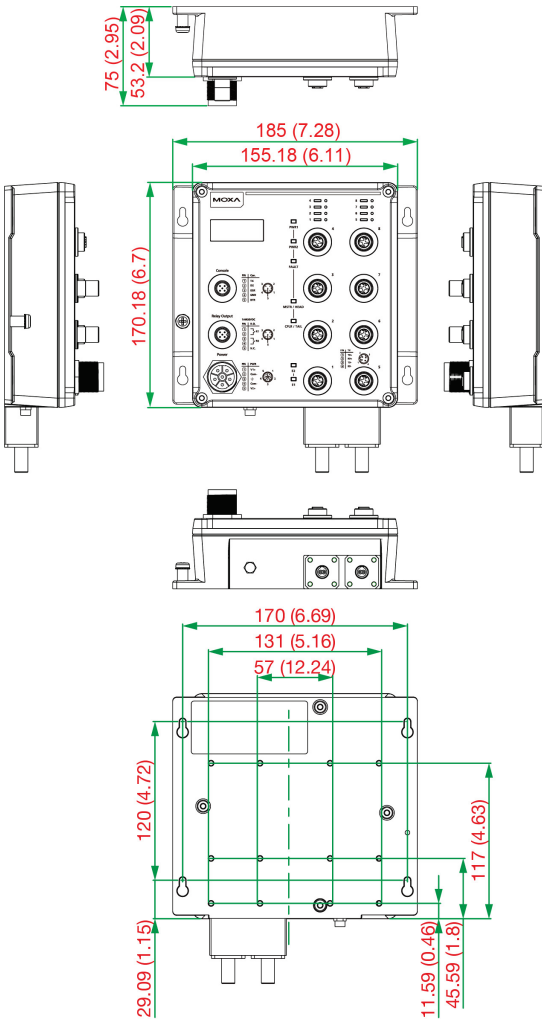
TN-5508A-8PoE Series



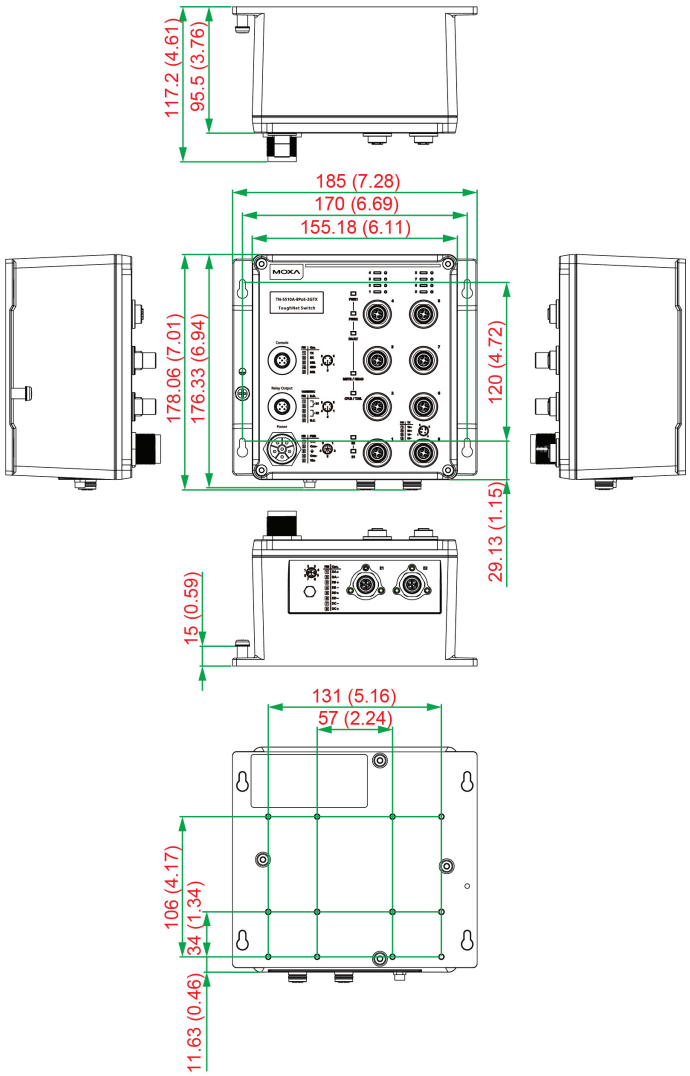
TN-5510A-2GTX Series



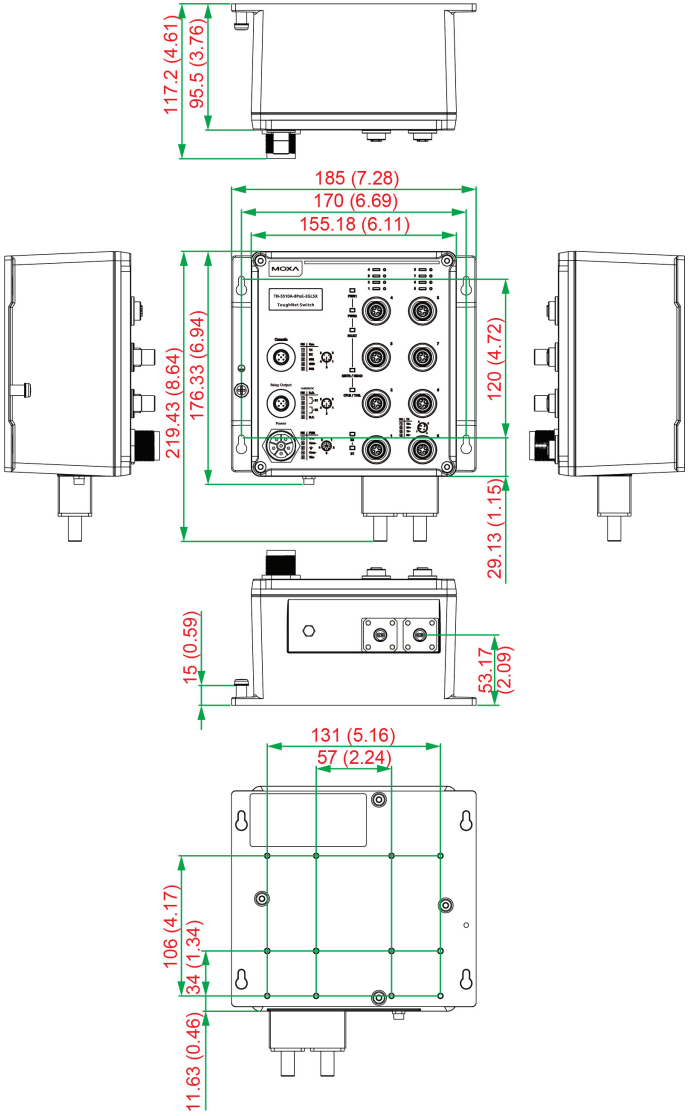
TN-5510A-2GLSX Series



TN-5510A-8PoE-2GTX Series



TN-5510A-8PoE-2GLSX Series



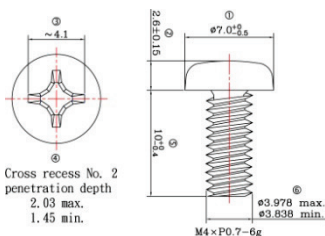
Panel/Wall Mounting

STEP 1:

Mounting the TN-5508A/5510A to a wall requires 4 screws. Use the ToughNet switch as a guide to mark the correct positions of the 4 screws.

STEP 2:

Use the 4 screws in the panel mounting kit. If you would like to use your own screws, make sure the screw head is **between 6.0 mm and 7.0 mm** in diameter and the shaft is less than **4.0 mm** in diameter, as shown at the right.

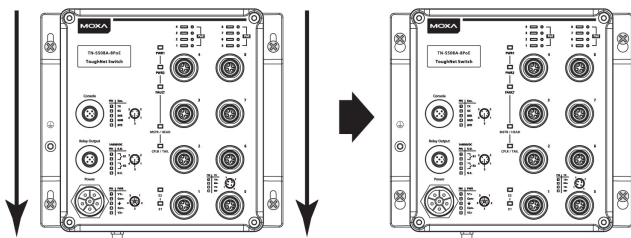


Do not screw the screws in all the way—leave a space of about 2 mm to allow room for sliding the ToughNet switch between the wall and the screws.

NOTE Before tightening the screws into the wall, make sure the screw head and shaft size are suitable by inserting the screw through one of the keyhole-shaped apertures of the ToughNet switch.

STEP 3:

Once the screws are fixed in the wall, hang the ToughNet switch on the 4 screws through the large opening of the keyhole-shaped apertures, and then slide the switch downwards. Tighten the four screws for added stability.



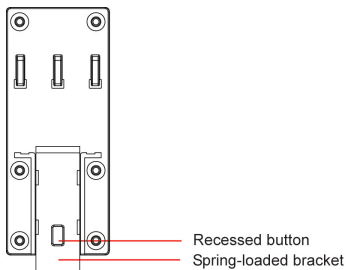
NOTE To provide greater protection from vibrations and shocks, use screws with shaft diameter between 6.0 mm and 7.0 mm, and fix the ToughNet switch onto the wall directly through the large opening of the keyhole-shaped apertures.

DIN-rail Mounting (optional)

With the optional DIN-rail mounting kit DK-DC50131 (must be purchased separately), you can mount the TN-5508A/5510A on a 35mm DIN-Rail.

STEP 1:

Use 12 screws (6 screws per plate) to attach the two DIN-Rail attachment plates to the rear panel of the switch.

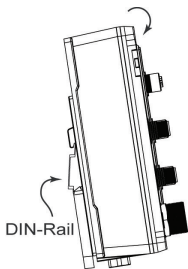


STEP 2:

If the spring-loaded bracket is locked in place, push the recessed button to release it. Once released, you should feel some resistance from the spring as you slide the bracket up and down a few millimeters in each direction.

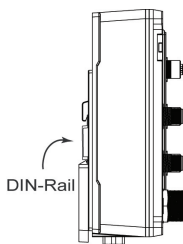
STEP 3:

Position the ToughNet switch on the DIN rail, tilting to hook clamps over the top edge of the rail.

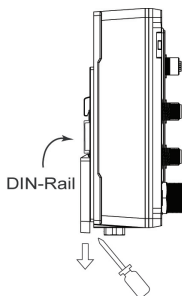


STEP 4:

Swing the switch down fully onto the DIN rail, until both clamps completely latch.



To remove the Moxa ToughNet Switch from the DIN rail, use a screwdriver to pull out the two spring-loaded brackets from the bottom until they are fixed in the "locked" position. Then reverse Step 3 and 4 above.



Wiring Requirements



WARNING

Turn the power off before disconnecting modules or wires. The correct power supply voltage is listed on the product label. Check the voltage of your power source to make sure you are using the correct voltage. Do NOT use a voltage greater than what is specified on the product label.

These devices must be supplied by a SELV source as defined in the Low Voltage Directive 2006/95/EC and 2004/108/EC.



ATTENTION

Safety First!

Be sure to disconnect the power cord before installing and/or wiring your Moxa switch.

This device has UL508 approval. Use copper conductors only, 75°C, and tighten to 4.5 pound-inches. For use in pollution degree 2 environments.



ATTENTION

Safety First!

Observe all electrical codes dictating the maximum current allowable for each wire size. If the current goes above the maximum ratings, the wiring could overheat, causing serious damage to your equipment.

Please read and follow these guidelines:

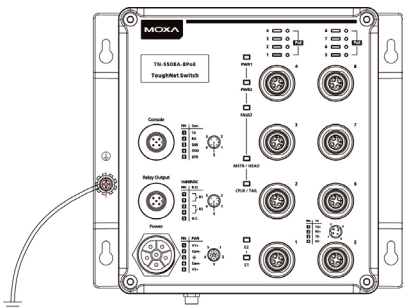
- Use separate paths to route wiring for power and devices. If power wiring and device wiring paths must cross, make sure the wires are perpendicular at the intersection point.

NOTE Do not run signal or communications wiring and power wiring through the same wire conduit. To avoid interference, wires with different signal characteristics should be routed separately.

- You can use the type of signal transmitted through a wire to determine which wires should be kept separate. The rule of thumb is that wiring that shares similar electrical characteristics can be bundled together.
- Keep input wiring and output wiring separated.
- It is strongly advised that you label wiring for all devices in the system when necessary.

Grounding the ToughNet Switch

Grounding and wire routing help limit the effects of noise due to electromagnetic interference (EMI). Run the ground connection from the grounding screw to the grounding surface prior to connecting devices.



ATTENTION

This product is intended to be mounted to a well-grounded mounting surface such as a metal panel.

Connecting the Power Supplies

The ToughNet TN-5508A/5510A Series switches support two sets of power input—power input 1 and power input 2. The M23 6-pin male connector on the TN-5508A/5510A Series switches' front panel is used for the dual power inputs.

Pinouts for the power input port on the TN-5508A/5510A

PIN	PWR
1	V1+
2	Com-
3	⏏
4	Com-
5	V2+



Pin	Description	Usage
1	PWR1 Live / DC +	Connect "PWR1 Live / DC +" to the positive (+) terminal when using a DC power source.
2	PWR1 Neutral / DC -	Connect "PWR1 Neutral / DC -" to the negative (-) terminal when using a DC power source. The negative inputs for the two power supplies are N1/V- and N2/V-.
3	Chassis Ground	Connect the "Chassis Ground" to the equipment ground bus for DC inputs.
4	PWR2 Neutral / DC -	Connect "PWR2 Neutral / DC -" to the negative (-) terminal when using a DC power source. The negative inputs for the two power supplies are N1/V- and N2/V-.

Pin	Description	Usage
5	PWR2 Live / DC +	Connect "PWR2 Live / DC +" to the positive (+) terminal when using a DC power source.

STEP 1:

Plug your power cord connector to the power input port of the TN-5508A/5510A switch.

STEP 2:

Screw the nut on your power cord connector to the power input connector on the switch to ensure a tight connection.



ATTENTION

Before connecting the TN-5508A/5510A to the power input, make sure the power source voltage is stable.



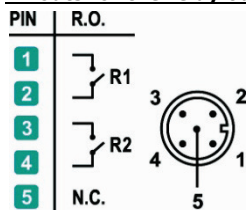
ATTENTION

Do not power on the TN-5508A/5510A before connecting the M23 connector.

Connecting the Relay Outputs

Each TN-5508A/5510A switch has two sets of relay outputs—relay output 1 and relay output 2. The M12 A-coded 5-pin male connector on the TN-5508A/5510A front panel is used for the two relay outputs. Use a power cord with an M12 A-coded 5-pin female connector to connect the relay contacts. You can purchase an M12 power cable from Moxa.

Pinouts for the relay output port on TN-5508A/5510A



N.C.: Not connected

FAULT:

The two sets of relay contacts of the M12 A-coded 5-pin male connector are used to detect user-configured events. The two wires attached to the fault contacts form an open circuit when a user-configured event is triggered. If a user-configured event does not occur, the fault circuit remains closed.

Connecting the Data Lines


10/100BaseT(X) Ethernet Port Connection

All TN-5508A/5510A models have 8 10/100BaseT(X) Ethernet ports (M12 D-coded 4-pin female connector). The 10/100TX ports located on the TN-5508A/5510A front panel are used to connect to Ethernet-enabled devices. Most users configure these ports for Auto MDI/MDI-X mode, in which case the port's pinouts are adjusted automatically depending on the type of Ethernet cable used (straight-through or cross-over), and the type of device (NIC-type or HUB/Switch-type) connected to the port.

In what follows, we give pinouts for both MDI (NIC-type) ports and MDI-X (HUB/Switch-type) ports. We also give cable wiring diagrams for straight-through and cross-over Ethernet cables.

Pinouts for the 10/100BaseT(X) Ports on the TN-5508A/5510A.


PIN	TX
1	TD+
2	RD+
3	TD-
4	RD-



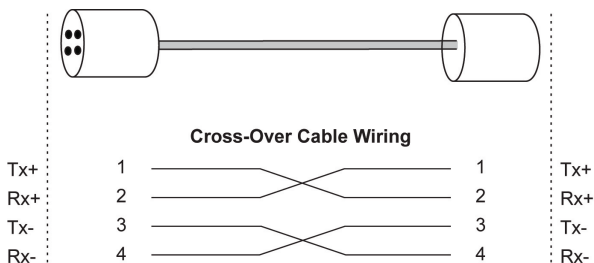
Housing: shield

Pinouts for the 10/100/1000BaseT(X) M12 (8-pin) Port

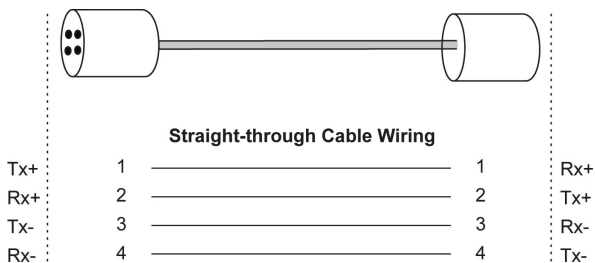
PIN	Con.
1	DA+
2	DA-
3	DB+
4	DB-
5	DD+
6	DD-
7	DC-
8	DC+



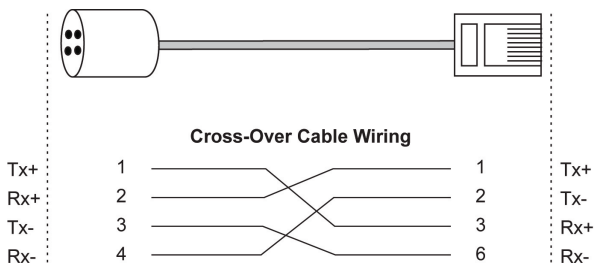
M12 (4-pin, M) to M12 (4-pin, M) Cross-Over Cable Wiring



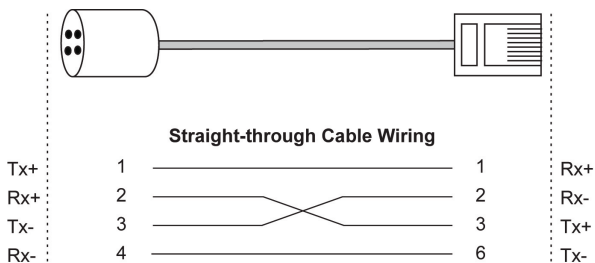
M12 (4-pin, M) to M12 (4-pin, M) Straight-Trough Cable Wiring




M12 (4-pin, M) to RJ45 (8-pin) Cross-Over Cable Wiring



M12 (4-pin, M) to RJ45 (8-pin) Straight-Trough Cable Wiring





ATTENTION

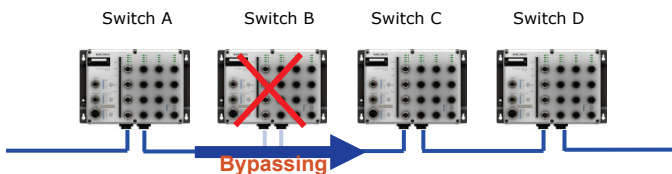
The protective cover must be fixed properly to ensure IP54 protection. Use a torque wrench set to a torque of 4 kgf-m when tightening the screws. Note that applying a larger torque may damage the plastic protective cover.

Bypass Relay Function

The TN-5510A-2GTXBP and TN-5510A-8PoE-2GTXBP models' two Gigabit Ethernet ports are equipped with a bypass relay function. When the switch is operating normally, these two Gigabit ports work in the same way as the other ports. That is, frame ingressions are processed and then forwarded. In the event the switch stops working due to a power failure, the bypass relay function will be triggered to ensure non-stop data communication.

The figure below illustrates the bypass relay function. For example, if Switch B loses power, then the two Gigabit ports will be bypassed through the relay circuit and the transmission line from Switch A to B and the transmission line from Switch B to C will interconnect automatically; this way there is no stoppage.

The bypass relay function helps the network recover from single-node failures in a linear topology.



With the maximum segment length of category 5 twisted-pair cable being 100 meters, cable length must be considered when designing a network that utilizes this function. For example, the total length of the cables from Switch A to B and from B to C must be no more than 100 meters. This way, if the two adjacent nodes (switch B and C for example) encounter a power failure, there will be no stoppage, provided that the total length of the cables A-to-B, B-to-C, and C-to-D are no more than 100 meters.

The bypass relay function works best for networks with linear topologies. ToughNet™ switches with bypass relay function are not recommended to be used in networks that employ ring topologies because network loops may occur when redundancy protocols such as RSTP or Turbo Ring™ are applied.

LED Indicators

Several LED indicators are located on the ToughNet switch's front panel. The function of each LED is described in the table below.

LED	Color	State	Description
System LEDs			
PWR1	Amber	On	Power is being supplied to power input PWR1.
		Off	Power is not being supplied to power input PWR1
PWR2	Amber	On	Power is being supplied to power input PWR2.
		Off	Power is not being supplied to power input PWR2.

LED	Color	State	Description
FAULT	Red	On	When the corresponding PORT alarm is enabled, and a user-configured event is triggered.
		Off	When the corresponding PORT alarm is enabled and a user-configured event is not triggered, or when the corresponding PORT alarm is disabled.
MSTR/ HEAD	Green	On	When the TN switch is either the Master of this Turbo Ring, or the Head of this Turbo Chain.
		Blinking	When the TN switch is Ring Master of this Turbo Ring and the Turbo Ring is broken, or it is Chain Head of this Turbo Chain and the Turbo Chain is broken.
		Off	When the TN switch is neither the Master of this Turbo Ring, nor the Head of this Turbo Chain.
CPLR/ TAIL	Green	On	When the TN switch enables the coupling function to form a back-up path in this Turbo Ring, or it is the Tail of this Turbo Chain.
		Blinking	When Turbo Chain is down.
		Off	When the TN switch disables the coupling function of Turbo Ring, or it is not the Tail of the Turbo Chain.
Ports LEDs			
TP (10/100M)	Amber	On	TP port's 10 Mbps link is active.
		Blinking	Data is being transmitted at 10 Mbps.
		Off	TP port's 10 Mbps link is inactive.
	Green	On	TP port's 100 Mbps link is active.
		Blinking	Data is being transmitted at 100 Mbps.
		Off	TP port's 100 Mbps link is inactive.
PoE Ports	Amber	On	Power is being supplied to a Powered Device (PD)
		Off	Power is not being supplied to a Powered Device (PD)
E1/E2 (10/100/1 000M)	Amber	On	TP port's 10 or 100 Mbps link is active.
		Blinking	Data is being transmitted at 10 or 100 Mbps.
		Off	TP port's 10 or 100 Mbps link is inactive.
	Green	On	TP port's 1000 Mbps link is active.
		Blinking	Data is being transmitted at 1000 Mbps.
		Off	TP port's 1000 Mbps link is inactive.

Specifications

Technology	
Standards	IEEE 802.3 for 10BaseT IEEE 802.3u for 100BaseT(X) IEEE 802.3ab for 1000BaseT(X) (TN-5510A series only) IEEE 802.3x for Flow Control IEEE 802.1D for Spanning Tree Protocol IEEE 802.1w for Rapid STP IEEE 802.1Q for VLAN Tagging IEEE 802.1s for Multiple Spanning Tree Protocol IEEE 802.1p for Class of Service IEEE 802.1X for Authentication IEEE 802.3ad for Port Trunk with LACP
Protocols	IGMP v1/v2 device, GMRP, GVRP, SNMP v1/v2C/v3, DHCP Server/Client, DHCP Option 66/67/82, BootP, TFTP, SNTP, SMTP, RARP, RMON, HTTP, HTTPS, Telnet, SSH, Syslog, LLDP, IEEE 1588 PTP v2, IPv6, NTP Server/Client, EtherNet/IP, Modbus/TCP
MIB	MIB-II, Ethernet-like MIB, P-BRIDGE MIB, Q-BRIDGE MIB, Bridge MIB, RSTP MIB, RMON MIB Group 1, 2, 3, 9
Flow Control	IEEE802.3x flow control, back pressure flow control

Switch Properties	
Priority Queues	4
Max. Number of Available VLANs	64
VLAN ID Range	VID 1 to 4094
IGMP Groups	256

Interface	
Fast Ethernet	Front cabling, M12 D-coded 4-pin female connector, 10/100BaseT(X) auto negotiation speed, F/H duplex mode, and auto MDI/MDI-X connection
Gigabit Ethernet	Down cabling, M12 X-coded 8-pin female connector, 10/100/1000BaseT(X) auto negotiation speed, F/H duplex mode, auto MDI/MDI-X connection, and bypass relay option
Console Port	M12 A-coding 5-pin male connector
System LED Indicators	PWR1, PWR2, FAULT, MSTR/HEAD, CPLR/TAIL
Port LED Indicators	10/100M (Fast Ethernet port), 10/100/1000M (Gigabit Ethernet port), PoE
Alarm Contact	Two relay outputs in one M12 A-coding 5-pin male connector with current carrying capacity of 1 A @ 30 VDC

Power Requirements	
Input Voltage	WV: 24-110 VDC (16.8 to 137.5 VDC)
Max. Input Current	TN-5508A Series: 0.28 A TN-5510A-2GTX Series: 0.52 A

	TN-5510A-2GTXBP Series: 0.56 A TN-5508A-8PoE Series: 7.6 A TN-5510A-8PoE-2GTX Series: 7.85 A TN-5510A-8PoE-2GTXBP Series: 7.9 A
Connection	M23 6-pin male connector
Overload Current Protection	Present
Reverse Polarity Protection	Present
Physical Characteristics	
Housing	Metal, IP54 protection (with protective caps on unused ports)
Dimensions (W × H × D)	TN-5508A Series: 185 x 175.8 x 76 mm (7.28 x 6.92 x 2.99 in) TN-5508A-8PoE Series: 185 x 175.8 x 115 mm (7.28 x 6.92 x 4.53 in) TN-5510A Series: 185 x 180.9 x 76 mm (7.28 x 7.12 x 2.99 in) TN-5510A-8PoE Series: 185 x 180.9 x 115 mm (7.28 x 7.12 x 4.53 in)
Weight	TN-5508A Series: 1,610 g TN-5510A Series: 1,711 g TN-5508A-8PoE Series: 2,383 g TN-5510A-8PoE Series: 2,551 g
Installation	Panel mounting, DIN-Rail mounting (with optional kit)
Environmental Limits	
Operating Temperature	-40 to 75°C (-40 to 167°F)
Storage Temperature	-40 to 85°C (-40 to 185°F)
Operating Humidity	5 to 95% (non-condensing)
Regulatory Approvals	
Safety	UL/cUL 508
Rail Traffic	EN 50155, EN 50121-4
EMI	FCC Part 15, CISPR 32 class A
EMS	EN 61000-4-2 (ESD), level 3 EN 61000-4-3 (RS), level 3 EN 61000-4-4 (EFT), level 3 EN 61000-4-5 (Surge), level 3 EN 61000-4-6 (CS), level 3 EN 61000-4-8
Shock	IEC 61373
Freefall	IEC 60068-2-32
Vibration	IEC 61373
Note: Please check Moxa's website for the most up-to-date certification status.	
Warranty	
Warranty Period	5 years
Details	See www.moxa.com/warranty

Support and Assistance

Visit our website at <https://www.moxa.com/en/support> where you can find the latest information about the product.