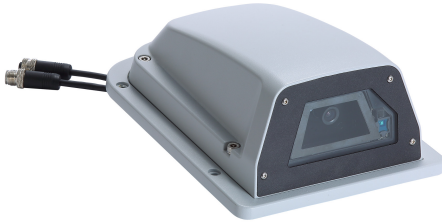


VPort 06EC-2Vシリーズ

EN 50155、1080P解像度、昼夜兼用屋外用IPカメラ



機能とメリット

- IP67等級
- 雪や霜を除去する内蔵フロントガラスヒーター
- 1/3”プログレッシブスキャンカメラ、最大解像度1920 x 1080、最高30 fps
- iCapTrue™画像処理技術
- DynaStream™により最適化されたネットワーク効率を実現
- CBR Pro™により制限された帯域幅でも高品質の画像を伝送
- ONVIF Profile S対応により標準化と相互運用性を実現
- EN 50155全必須検査項目に準拠¹

認証



製品紹介

VPort 06EC-2V屋外用IPカメラは1080P（1920 x 1080）解像度で最大30フレーム毎秒のビデオ画像をサポートしています。iCapTrueの新しい画像処理技術では、さまざまな環境においてより優れた画質を提供するために高度なAEおよびAWBアルゴリズムを使用しています。筐体設計はIP67保護等級に対応しており、十分な防塵性能と防雨性能を示しています。また、内蔵フロントガラスヒーターと強靭な外装カバーにより、本カメラは屋外用モバイルIPビデオ監視アプリケーションに必要な汎用性と耐久性を備えています。さらに、-40～70°Cで動作可能なモデルも用意されています。

仕様

Memory

| | |
|--------------|------|
| microSD Slot | SDXC |
|--------------|------|

Input/Output Interface

| | |
|-------------------------|---|
| Digital Output Channels | 1 |
| Contact Current Rating | Resistive load: 1 A @ 24 VDC |
| Connector | 5-pin A-coded male M12 connector with 20 cm cable |

Ethernet Interface

| | |
|--|---|
| PoE Ports (10/100BaseT(X), M12 D-coded 4-pin female connector) | 1 |
|--|---|

Ethernet Software Features

| | |
|-----------|--|
| Protocols | TCP/IP, IPv4/IPv6, UDP, HTTP, RTP/RTSP, ARP, UPnP, FTP, TFTP, SMTP, NTP Client, DNS, DDNS, QoS, IGMP v3, ICMP, SNMPv1/v2c/v3, DHCP Opt66/67, HTTPS |
|-----------|--|

1. 本製品は、EN 50155規格で定められた鉄道車両アプリケーションに適しています。詳細については、こちらをクリックしてください：www.moxa.com/doc/specs/EN_50155_Compliance.pdf

Security Functions

| | |
|------------|--------------------------------|
| Password | User-level password protection |
| Filter | IP address |
| Encryption | HTTPS |

Power Parameters

| | |
|-----------------------|---|
| No. of Power Inputs | 2 |
| Source of Input Power | PoE (IEEE 802.3af) |
| Input Voltage | 24 VDC for front-window heater (for defrosting) |
| Input Current | 0.167 A @ 48 VDC, 0.9 A @ 24 VDC |
| Power Connector | M12 connector |
| Note | PoE is for powering the camera; 24 VDC is for powering the heater |

Camera Characteristics

| | |
|-------------------------------|--|
| Sensor | 1/3-in 1080P progressive scan CMOS |
| Lens | VPort 06EC-2V36M Series: f=3.6 mm, F1.6, Diagonal 99°, Horizontal 70°, Vertical 39° VPort 06EC-2V42M Series: f=4.2 mm, F1.6, Diagonal 82°, Horizontal 62°, Vertical 34° VPort 06EC-2V60M Series: f=6.0 mm, F1.8, Diagonal 62°, Horizontal 43°, Vertical 24° VPort 06EC-2V80M Series: f=8.0 mm, F1.6, Diagonal 42°, Horizontal 33°, Vertical 17° |
| Minimum Illumination | Color: 0.2 lux, at F1.6 (Gain High, 50 IRE, 1/30 sec) B/W: 0.05 lux, at F1.6 (Gain High, 50 IRE, 1/30 sec) |
| Day & Night | Auto/Color/BW; ICR control |
| ICR Control | Auto |
| Synchronization | Internal |
| White Balance | ATW/AWB |
| Electronic Shutter | Auto, Fixed (1/30 to 1/25000 sec) |
| S/N Ratio | Maximum 50 dB (AGC off; DNR on) |
| DNR (digital noise reduction) | Built-in 2D/3D DNR |
| WDR (wide dynamic range) | 100 dB |
| AGC (auto gain control) | 2X, 4X, 8X, 16X |
| Flickerless Control | Automatic, 50 Hz, 60 Hz modes |
| Image Rotation | Flip, Mirror, 90°, 180°, 270° rotation |
| Image Setting | Manual tuning with saturation, sharpness, and contrast |
| Camera Angle | Pan: ±5°, Tilt: +10/-5° (controlled manually) |

Video Interface

| | |
|-------------------|--|
| Video Compression | H.264 (ISO/IEC 14496-10) or MJPEG |
| Video Output | via Ethernet |
| Video Streams | 4 independent H.264 or MJPEG video streams |
| NTSC/PAL | Auto-sensing or manual |

| Video Resolution and FPS (frames per second) | NTSC | | PAL | | |
|--|---|------------|-------------|------------|----|
| | Size | Max. FPS | Size | Max. FPS | |
| | QCIF | 176 x 112 | 30 | 176 x 144 | 25 |
| | CIF | 352 x 240 | 30 | 352 x 288 | 25 |
| | VGA | 640 x 480 | 30 | 640 x 480 | 25 |
| | 4CIF | 704 x 480 | 30 | 704 x 576 | 25 |
| | Full D1 | 720 x 480 | 30 | 720 x 576 | 25 |
| | SVGA | 800 x 600 | 30 | 800 x 600 | 25 |
| | HD | 1280 x 720 | 30 | 1280 x 720 | 25 |
| | WXGA | 1280 x 800 | 30 | 1280 x 800 | 25 |
| Full HD | 1920 x 1080 | 30 | 1920 x 1080 | 25 | |
| Video Viewing | <p>DynaStream™ support for changing the video frame rate automatically CBR Pro™ for good image quality in limited bandwidth transmissions 3 privacy mask areas provided Adjustable image size and quality Timestamp and text overlay OSD (On Screen Display) position adjustable Maximum of 5 simultaneous unicast connections, 50 multicast clients Digital PTZ</p> | | | | |

Camera Software Development

| | |
|-----------------|-----------------|
| Video Standards | ONVIF Profile S |
|-----------------|-----------------|

Camera Alarm Software Features

| | |
|------------------------|---|
| Intelligent Video | Camera tampering detection |
| Video Motion Detection | 3 independently configurable areas |
| Shock Detection | Built-in G sensor |
| Humidity | Detects camera's internal humidity |
| Scheduling | Daily repeat timing schedule |
| Imaging | JPEG snapshots for pre/trigger/post alarm images |
| Custom Alarms | HTTP event servers for setting customized alarm actions |
| Email/FTP Messaging | Automatic transfer of stored images via email or FTP as event-triggered actions |
| Pre-Alarm Buffer | 50 MB video buffer for JPEG snapshot images |
| Video Recording | Event recordings stored on the SD card |

Software Requirements

| | |
|------------------|--------------------------------|
| Memory Size | 2 GB |
| Operating System | Windows 7 or above |
| Browser | Internet Explorer 9.x or above |
| Multimedia | DirectX 9.0C or above |

Physical Characteristics

| | |
|--------------|---|
| Housing | Metal IP67 Transparent Glass cover |
| Dimensions | 83 x 168 x 233 mm (3.27 x 6.61 x 8.78 in) |
| Weight | 1630 g (3.59 lb) |
| Installation | Wall mounting (standard) |
| Protection | -CT models: PCB conformal coating |

Environmental Limits

| | |
|--|--|
| Operating Temperature | Standard Models: -25 to 55°C (-13 to 131°F) Wide Temp. Models: -40 to 70°C (-40 to 158°F) |
| Storage Temperature (package included) | -40 to 85°C (-40 to 185°F) |
| Ambient Relative Humidity | 5 to 95% (non-condensing) |
| Ingress Protection | IEC 60529, IP67 |
| Salt Spray Test | ASTM B368 (CASS), 125 hours |
| Altitude | 2000 m |

Standards and Certifications

| | |
|-------------------------|--|
| EMI | CISPR 32, FCC Part 15B Class A |
| EMS | IEC 61000-4-2 ESD: Contact: 6 kV; Air: 8 kV IEC 61000-4-3 RS: 80 MHz to 1 GHz: 20 V/m IEC 61000-4-4 EFT: Power: 2 kV; Signal: 2 kV IEC 61000-4-5 Surge: Power: 2 kV; Signal: 1 kV IEC 61000-4-6 CS: 10 V IEC 61000-4-8 PFMF |
| Freefall | IEC 60068-2-31 |
| Railway Fire Protection | EN 45545-2 |
| Safety | UL 60950-1 |
| Shock | IEC 60068-2-27, IEC 61373, EN 50155 |
| Vibration | IEC 60068-2-64, IEC 61373, EN 50155 |
| Railway | EN 50155 (complies with a portion of EN 50155 specifications) |

MTBF

| | |
|-----------|-----------------|
| Time | 480,269 hrs |
| Standards | Telcordia SR332 |

Warranty

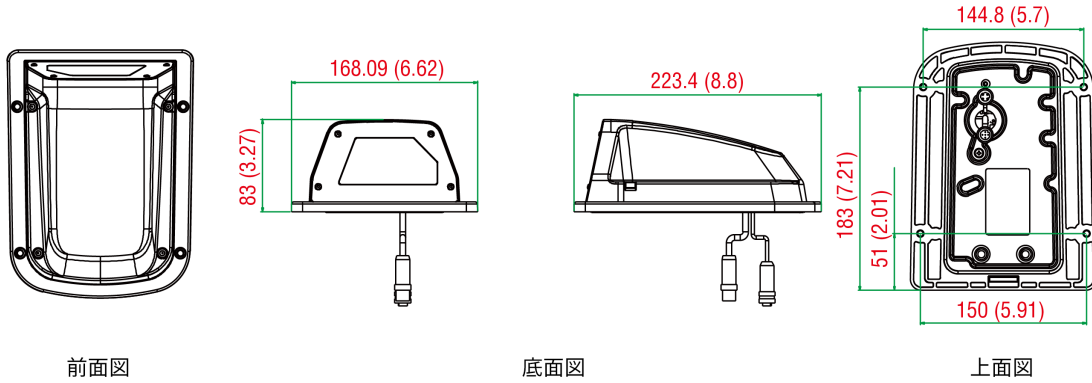
| | |
|-----------------|---|
| Warranty Period | 5 years Note: Limited warranty on moving parts; see Moxa's online warranty policy for details. |
| Details | See www.moxa.com/jp/warranty |

Package Contents

| | |
|------------------|---|
| Device | 1 x VPort 06EC-2V Series camera |
| Installation Kit | 1 x cap, male, metal, for M12 port 1 x 15 g dry pack (VP-DP02) 1 x sticker |
| Documentation | 1 x document and software CD 1 x quick installation guide 1 x warranty card |

寸法

単位：mm（インチ）



注文情報

| Model Name | Lens | Local Storage | Operating Temp. | Conformal Coating |
|-----------------------|--------|------------------------------|-----------------|-------------------|
| VPort 06EC-2V36M | 3.6 mm | microSD slot, SDXC interface | -25 to 55°C | - |
| VPort 06EC-2V42M | 4.2 mm | microSD slot, SDXC interface | -25 to 55°C | - |
| VPort 06EC-2V60M | 6.0 mm | microSD slot, SDXC interface | -25 to 55°C | - |
| VPort 06EC-2V80M | 8.0 mm | microSD slot, SDXC interface | -25 to 55°C | - |
| VPort 06EC-2V36M-T | 3.6 mm | microSD slot, SDXC interface | -40 to 70°C | - |
| VPort 06EC-2V42M-T | 4.2 mm | microSD slot, SDXC interface | -40 to 70°C | - |
| VPort 06EC-2V60M-T | 6.0 mm | microSD slot, SDXC interface | -40 to 70°C | - |
| VPort 06EC-2V80M-T | 8.0 mm | microSD slot, SDXC interface | -40 to 70°C | - |
| VPort 06EC-2V36M-CT | 3.6 mm | microSD slot, SDXC interface | -25 to 55°C | P |
| VPort 06EC-2V42M-CT | 4.2 mm | microSD slot, SDXC interface | -25 to 55°C | P |
| VPort 06EC-2V60M-CT | 6.0 mm | microSD slot, SDXC interface | -25 to 55°C | P |
| VPort 06EC-2V80M-CT | 8.0 mm | microSD slot, SDXC interface | -25 to 55°C | P |
| VPort 06EC-2V36M-CT-T | 3.6 mm | microSD slot, SDXC interface | -40 to 70°C | P |

| Model Name | Lens | Local Storage | Operating Temp. | Conformal Coating |
|-----------------------|--------|------------------------------|-----------------|-------------------|
| VPort 06EC-2V42M-CT-T | 4.2 mm | microSD slot, SDXC interface | -40 to 70°C | P |
| VPort 06EC-2V60M-CT-T | 6.0 mm | microSD slot, SDXC interface | -40 to 70°C | P |
| VPort 06EC-2V80M-CT-T | 8.0 mm | microSD slot, SDXC interface | -40 to 70°C | P |

アクセサリ（別売）

Camera Mounting Kits

| | |
|---------|---|
| VP-DP02 | 15 g dry pack with hook-and-loop fastener |
|---------|---|

© Moxa Inc. All rights reserved. 2019年12月30日更新。

Moxa Inc.の明白な許可を written で取得しない限り、本書およびその一部の複製や使用はいかなる方法やいかなる場合でも許可されません。製品の仕様は予告なく変更されることがあります。最新の製品情報については当社のWebサイトをご覧ください。