

V1200 Series Quick Installation Guide

Version 1.0, December 2024

Technical Support Contact Information
www.moxa.com/support

MOXA®

© 2024 Moxa Inc. All rights reserved.

P/N: 180212000001



Overview

The V1200 Series computer is an Arm-based compact computer offering a rich variety of communication interfaces, such as Ethernet, serial, and wireless communication. This EN 50155-compliant computer is built for rail applications and comes with multiple wireless interfaces making it an ideal choice for building wireless communication infrastructure such as LTE, 5G and Wi-Fi 6.

Package Checklist

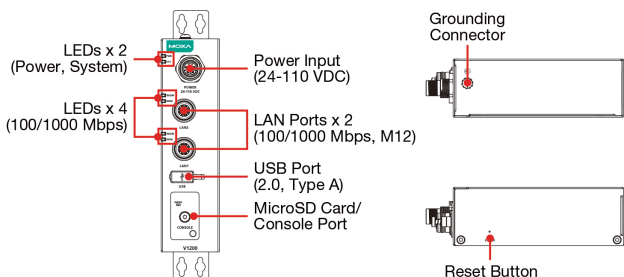
Before you install the V1200 Series computer, ensure that the package contains the following items:

- V1200 Series computer
- Wall-mounting kit
- Quick installation guide (printed)
- Warranty card

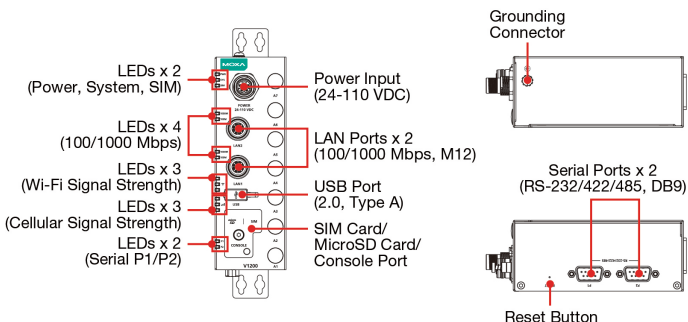
Panel Layouts

The panel layouts of the V1200 models are given below:

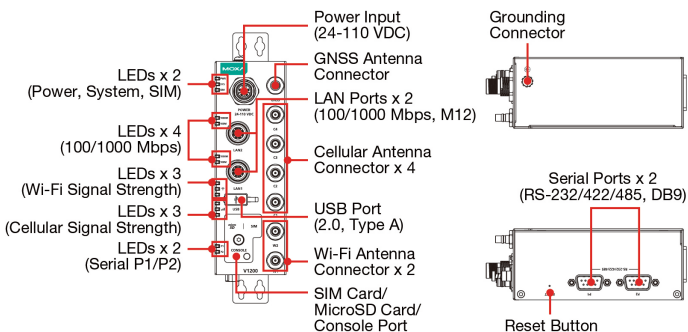
V1202-CT-T



V1222-CT-T



V1222-W-CT-T



LED Indicators

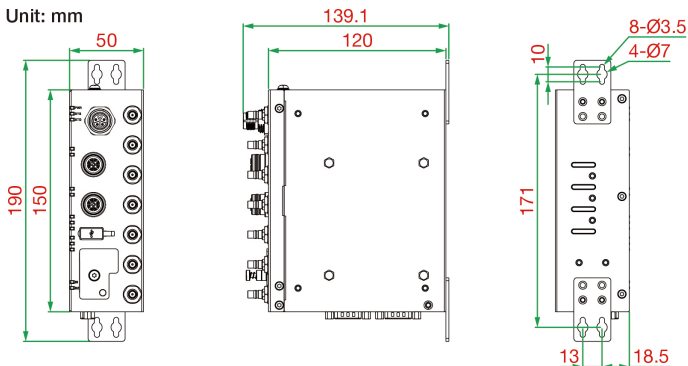
Refer to the following table for the LED indicator definitions.

LED Name	Color	LED Status	Description
PWR	Green	Steady on	Power is on
	Off	Off	No power
SYS	Green	Steady on	Device has booted successfully (all system services are initialized)
	Green	Blinking	Device is in the process of booting up
	Red	Steady on	Device boot up failed (one or more system services failed to initialize)
	Off	Off	The device is still in the bootloader stage; is not booted into the kernel yet
LAN	Green	Steady on	100 Mbps Ethernet link
		Blinking	Data is being transmitted or received
	Yellow	Steady on	1000 Mbps Ethernet link
		Blinking	Data is being transmitted or received
	Off	Off	The Ethernet cable is disconnected

Dimensions

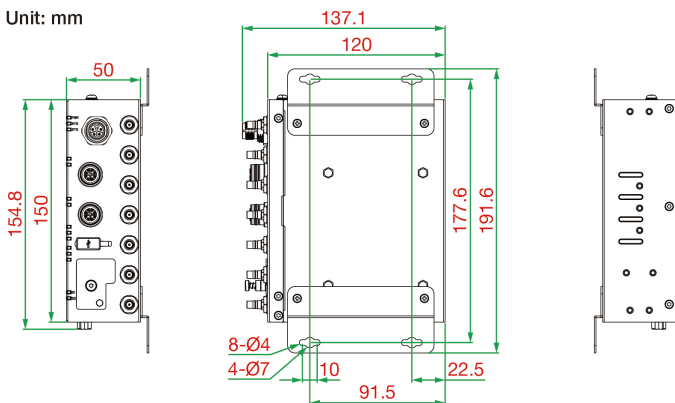
Wall Mounting (default)

Unit: mm



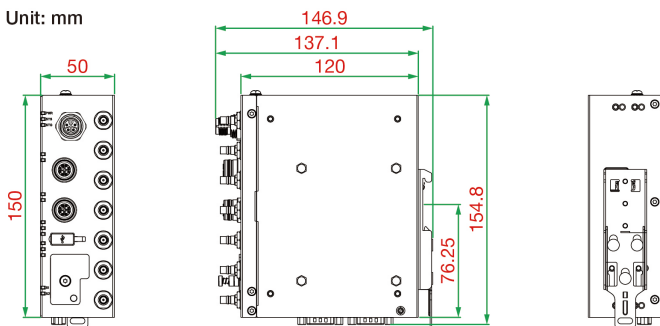
Desk Mounting (optional)

Unit: mm



DIN-rail Mounting (optional)

Unit: mm



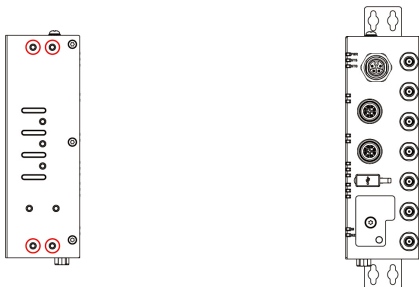
Installing the V1200 Series Computer

NOTE For IP40 compliance, the cover of the SD card, SIM card, and console port, should be secured properly with screws. Ensure that the USB port is covered with the rubber cap if it is not in use.

The V1200 Series can be mounted on to a DIN rail, a wall, or installed on a desk. The wall-mounting kit is included in the product package by default. If you want to use another mounting method, you will need to order the optional DIN-rail mounting or desk-mounting kits separately. Contact a Moxa sales representative to place an order.

Wall Mounting (default)

The wall-mounting kit is included in the product package by default. To attach the wall-mounting brackets, first align them to the apertures on the back panel of the V1200 and fasten the four M3 screws (torque value of 4.5+-0.5 kgf-cm) included in the package to secure the mounting brackets.

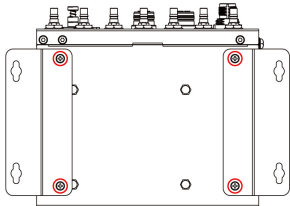


To mount the V1200 on to a wall, use four M3 x 6 mm screws and a torque value of 4.5+-0.5 kgf-cm. See *Additional Screws for Wall and Desk Mounting*.

Desk Mounting (optional)

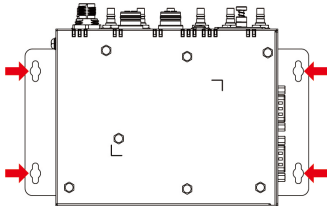
Step 1

Use the four screws (M3 x 5 mm) in the package to fasten the wall-mounting brackets to the computer.



Step 2

Use another four screws (M3 x 6 mm) to mount the computer on to a wall or in a cabinet.



To fix the V1200 on to a desk, use four M3 x 6 mm screws and a torque value of 4.5+-0.5 kgf-cm. See *Additional Screws for Wall and Desk Mounting*.

- NOTE**
- Test the screw head and shank size by inserting the screws into one of the keyhole shaped apertures of the wall-mounting plates before attaching the plate to the wall.
 - Do not drive the screws in all the way—leave a space of about 2 mm to allow room for sliding the wall mount panel between the wall and the screws.

Additional Screws for Wall and Desk Mounting

You will require additional screw for mounting the V1200 with the mounting brackets on to a wall or a desk. These screws are not included in the mounting kit package and must be purchased separately. The specifications of the additional screws required are as follows:

Head Type: Pan/Doom

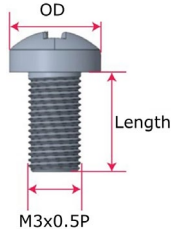
Head Diameter $5.2 \text{ mm} < \text{OD} < 7.0 \text{ mm}$

Length $> 6 \text{ mm}$

Thread Size: M3 x 0.5P

Recommended Fastening Torque:

$4.5 \pm 0.5 \text{ kgf-cm}$



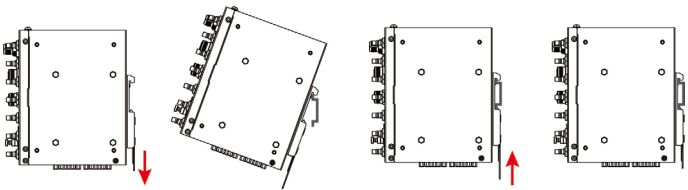
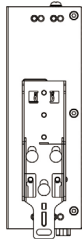
DIN-rail Mounting (optional)

The DIN-rail mounting kit is an optional accessory not included in the product package and needs to be purchased separately.

To attach the DIN-rail mounting bracket to the computer, align the mounting bracket to the mounting apertures on the back panel of the computer. Fasten the five M3 x 4 mm screws in the mounting-kit package to secure the bracket to the computer with a torque value of $4.5 \pm 0.5 \text{ kgf-cm}$.

To mount the V1200 Series on to a DIN rail, ensure that the stiff metal spring is facing upwards and follow these steps.

1. Pull down the slider of the DIN-rail bracket located at the back of the unit.
2. Insert the top of the DIN rail into the slot just below the upper hook of the DIN-rail bracket.
3. Latch the unit firmly on to the DIN rail as shown in the illustrations below.
4. Once the computer is mounted properly, you will hear a click and the slider will rebound back into place automatically.



Wiring Requirements

Be sure to read and follow these common safety precautions before proceeding with the installation of any electronic device:

- Use separate paths to route wiring for power and devices. If power wiring and device wiring paths must cross, make sure the wires are perpendicular at the intersection point.

NOTE Do not run signal or communication wiring together with power wiring in the same wire conduit. To avoid interference, wires with different signal characteristics should be routed separately.

- Use the type of signal transmitted through a wire to determine which wires should be kept separate. The rule of thumb is that wiring that shares similar electrical characteristics can be bundled together.
- Keep input wiring and output wiring separate.
- It is advisable to label the wiring to all devices in the system.



ATTENTION

Safety First!

Be sure to disconnect the power cord before installing and/or wiring your V1200 computer.

Wiring Caution!

Calculate the maximum possible current in each power wire and common wire. Observe all electrical codes dictating the maximum current allowable for each wire size. If the current goes above the maximum ratings, the wiring could overheat, causing serious damage to your equipment.

Temperature Caution!

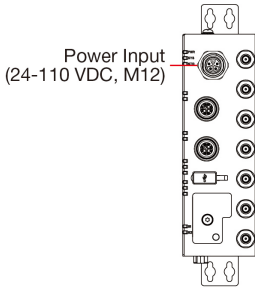
Be careful when handling the unit. When the unit is plugged in, the internal components generate heat, and consequently the outer casing may feel hot to the touch.

Connecting the Power

Connect the 24 to 110 VDC power line with M12 K-coded connector (needs to be purchased separately) to the V1200 computer. If the power is supplied properly, the "PWR" LED will glow a solid green after a 25 to 30-second delay. The power input location and pin definition are shown in the following figures:



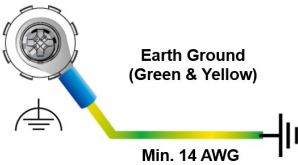
PIN	Con.
1	V1+
2	V1-
3	N/A
4	N/A
5	N/A



Grounding the Computer

There is a grounding connector located on the top panel of the computer. Grounding and wire routing help limit the effects of noise due to electromagnetic interference (EMI). Note that this product is intended to be mounted on a well-grounded mounting surface, such as a metal panel.

The power cord adapter should be connected to a socket outlet with an earthing connection.



ATTENTION

This product is intended to be mounted to a well-grounded mounting surface such as a metal panel. Use the green-and-yellow cable type minimum with American Wire Gauge (AWG) 14 (2.5 mm²) for grounding.

Ethernet Ports

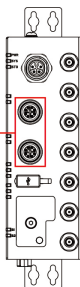
The pin assignments for the V1200 computer's Ethernet ports are shown in the following figure. If you are using your own Ethernet cable, make sure that you match the pin assignment on the connector of the Ethernet cable to the pin assignment shown below:

PIN Definition

1	DA+
2	DA-
3	DB+
4	DB-
5	DD+
6	DD-
7	DC-
8	DC+

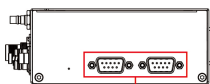
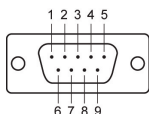


LAN Ports x 2
(100/1000 Mbps, M12)



Serial Ports

The computer comes with two serial ports on the bottom panel. Use a serial cable to connect your serial device to the computer via a serial port. The serial ports use DB9 connector and can be configured for RS-232, RS-422, or RS-485 communication. The location and pin assignments of the serial ports are shown in the following tables:

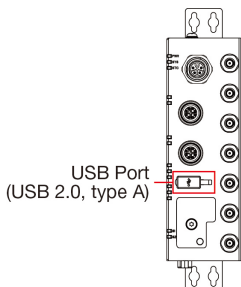


Serial Ports x 2
(RS-232/422/485, DB9)

Pin	RS-232	RS-422	RS-485 (4-wire)	RS-485 (2-wire)
1	DCD	TxDA(-)	TxDA(-)	-
2	RxD	TxDB(+)	TxDB(+)	-
3	TxD	RxDB(+)	RxDB(+)	DataB(+)
4	DTR	RxDA(-)	RxDA(-)	DataA(-)
5	GND	GND	GND	GND
6	DSR	-	-	-
7	RTS	-	-	-
8	CTS	-	-	-

USB Port

The USB port, located on the front panel, is a type-A USB 2.0 port which you can use to connect a USB storage device or a type-A USB compatible device.



USB Port
(USB 2.0, type A)

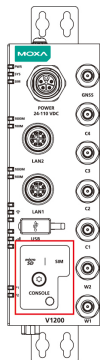
Installing SIM Cards

The V1200 models come with 1 or 2 SIM card slots on the front panel. When you install the SIM cards into the slots, ensure that they are inserted in the correct direction as indicated on the label.

To install a SIM card, do the following:

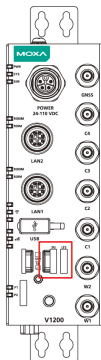
Step 1

Remove the screw securing the SIM card holder cover on the front panel of the computer.



Step 2

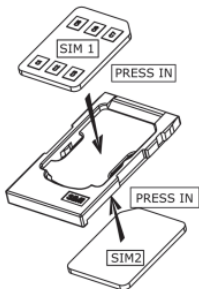
Remove the SIM card tray by pressing the tray inwards and releasing it to eject the tray, then pulling out the tray.



Step 3

The SIM card tray can hold two SIM cards, one on each side. Install the first SIM card in the SIM1 slot and the second SIM card on the other side of the tray.

ASSEMBLY



For additional details and instructions on installing the wireless modules, see the *V1200 Series Hardware User Manual*.

Installing a MicroSD Card

The V1200 comes with a microSD socket for storage expansion. The microSD socket is located on the lower part of the front panel. To install the card, remove the screw and the protection cover to access the socket, and then insert the microSD card into the socket. You will hear a click when the card is in place. To remove the card, push the card in before releasing it.

Console Port

The console port is an RS-232 port located on the lower part of the front panel. To install the card, remove the screw and the protection cover to access the console port. You can connect a 4-pin pin header cable and use the port for debugging issues or system image upgrades.



Pin	Signal
1	TxD
2	RxD
3	NC
4	GND

Specifications

Input Voltage	24 to 110 VDC
Power Consumption	15 W
Operating Temperature	-40 to 70°C (-40 to 158°F)
Storage Temperature	-40 to 85°C (-40 to 185°F)

Refer to the datasheet for the complete set of specifications.