

5

4

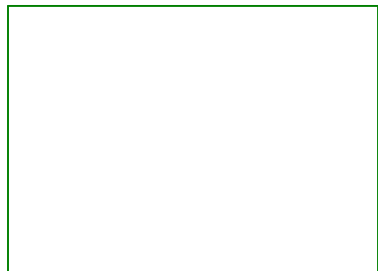
3

2

1

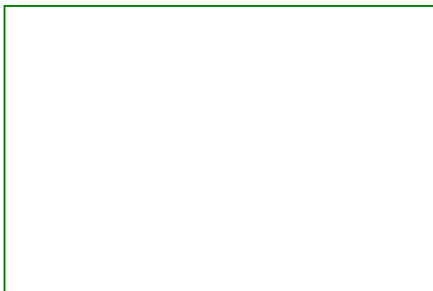
D

POWER



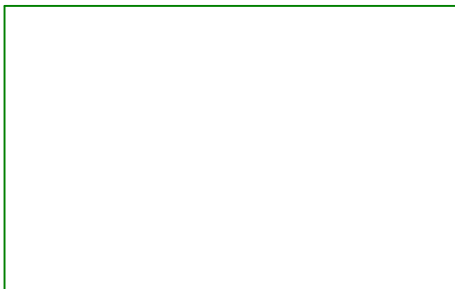
POWER

HEADER1



HEADER1

HEADER2



HEADER2

C

D

C

B

B

A

A

MOXA		Moxa Technologies Co., Ltd.	
Design-Name/ Schematic EM-1240 DK TOP			
PCB料號 : 1199012401000			
品名規格 : PCB EM-1240-DK 4L V1.1			
Department :	Author :	Version :	
RDC	Richard Lai	1.1	
Date: Friday, May 05, 2006	PAGE	1 of 4	Size A

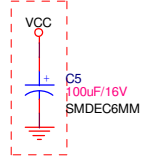
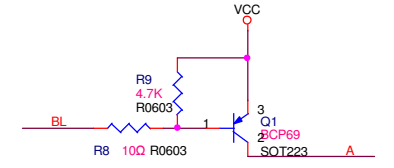
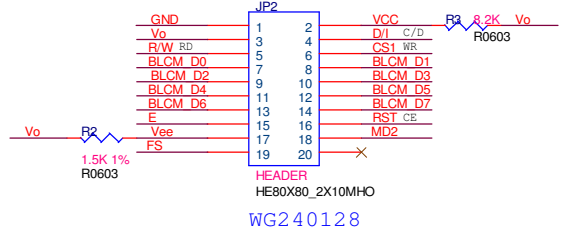
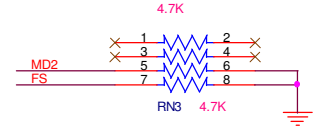
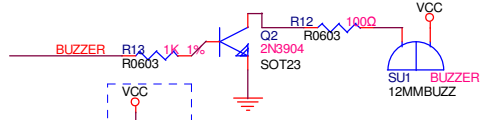
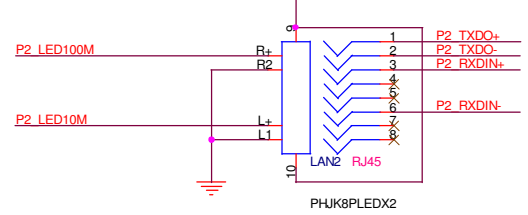
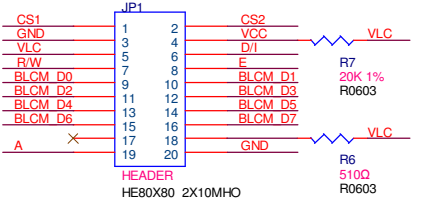
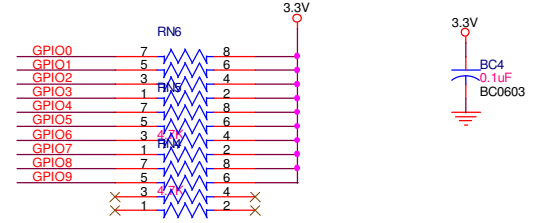
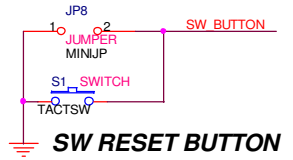
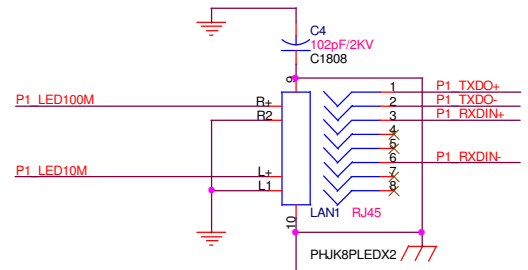
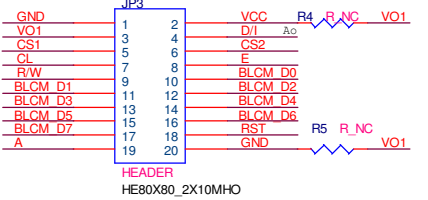
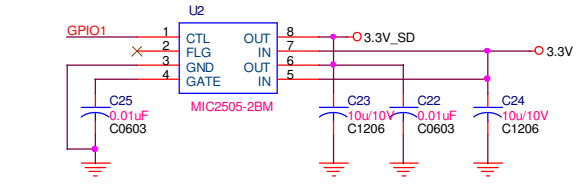
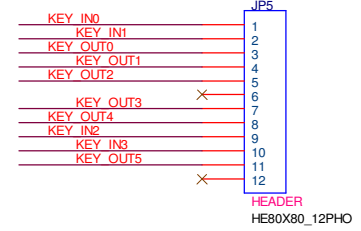
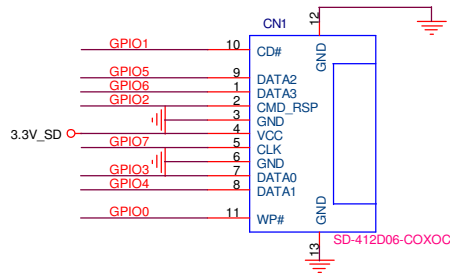
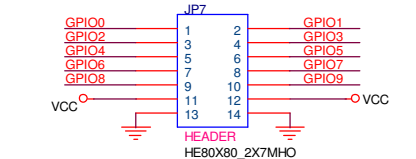
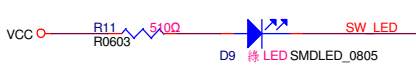
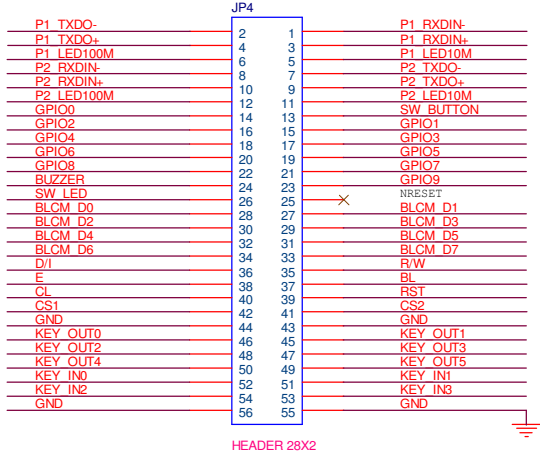
5

4

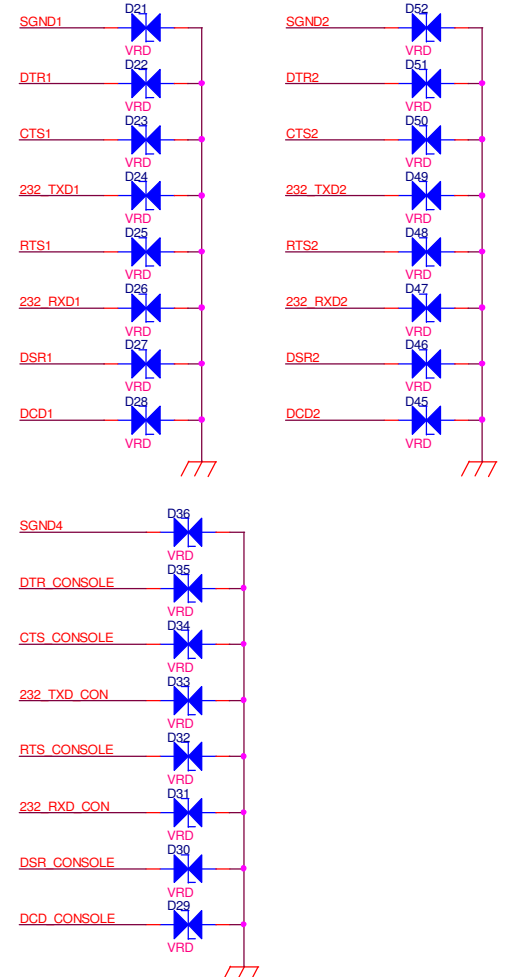
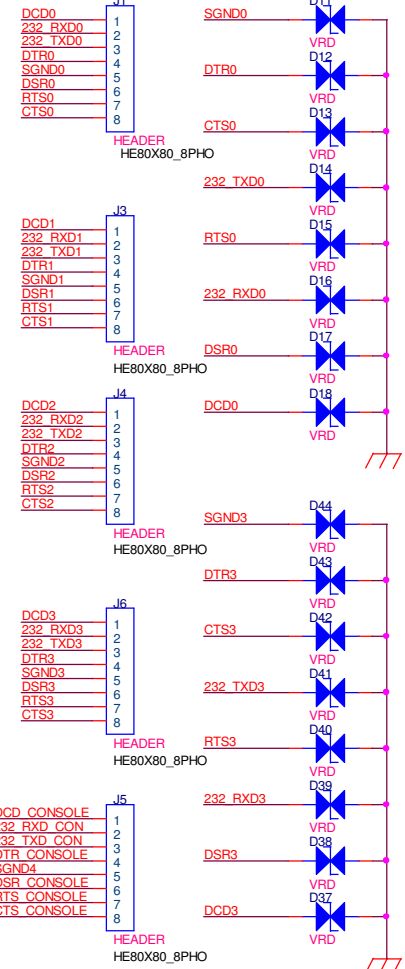
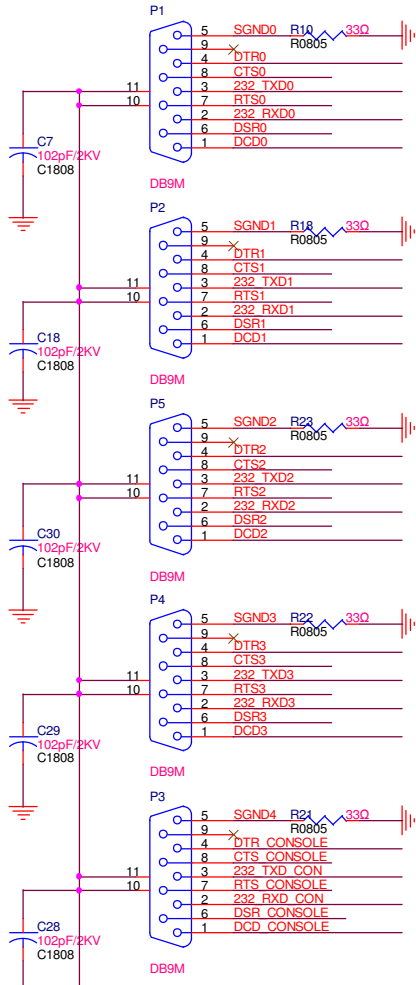
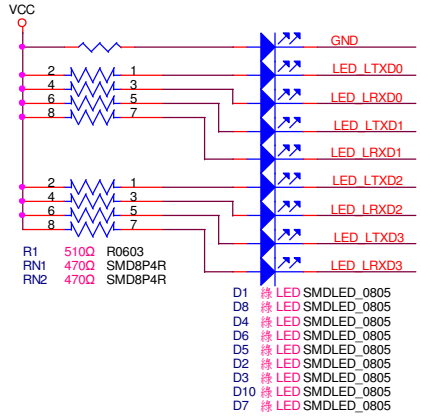
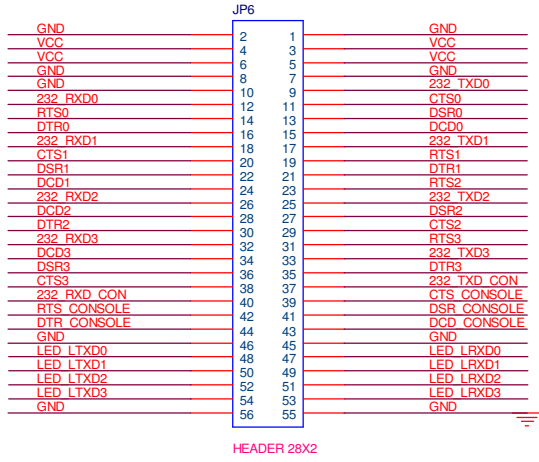
3

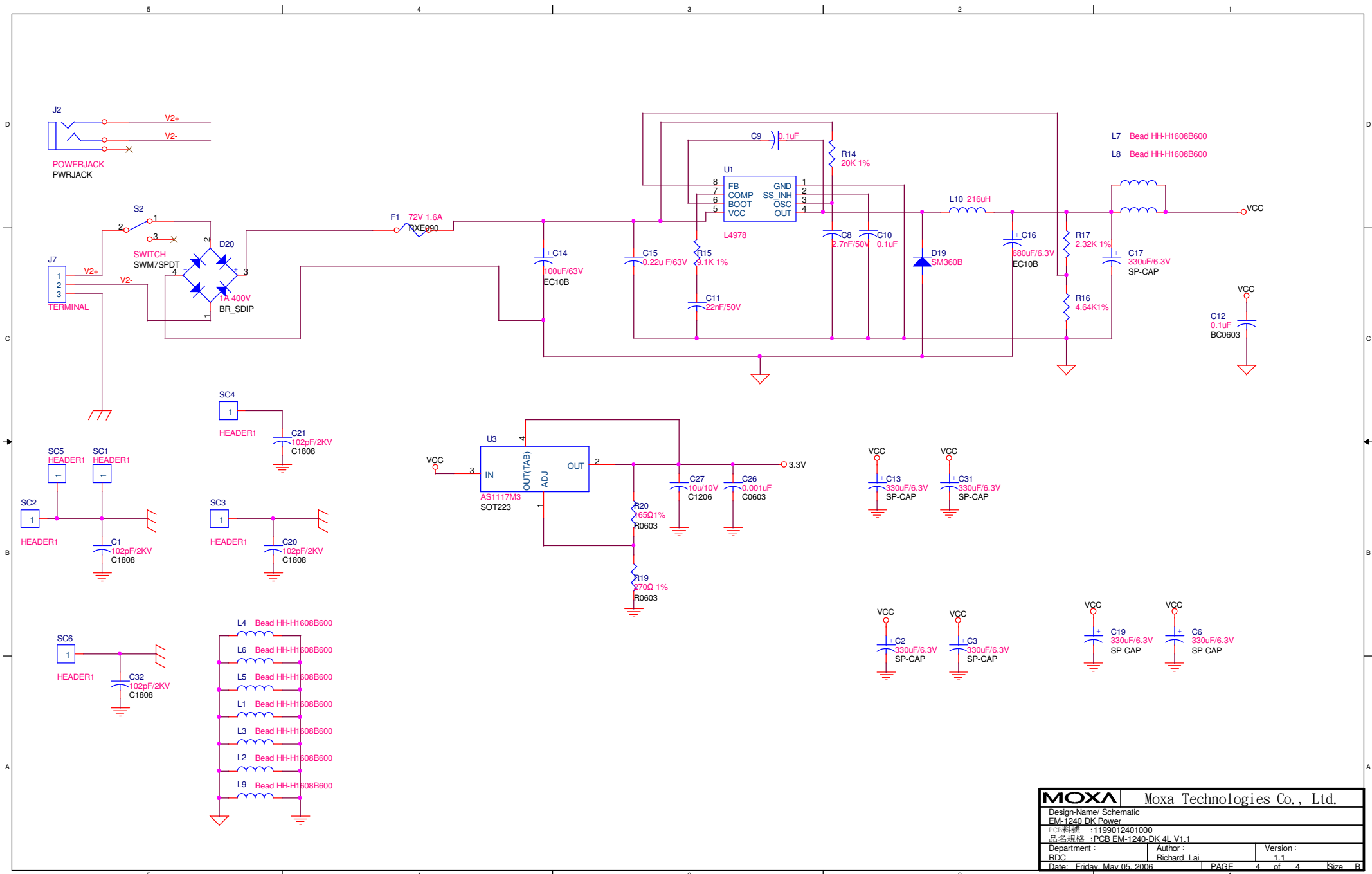
2

1



MOXA		Moxa Technologies Co., Ltd.	
Design-Name/ Schematic			
EM-1240 DK Header			
PCB料號 : 1199012401000			
品名規格 : PCB EM-1240-DK 4L V1.1			
Department :	Author :	Version :	
RDC	Richard Lai	1.1	
Date : Friday, May 05, 2006	PAGE	2 of 4	Size B





MOXA		Moxa Technologies Co., Ltd.	
Design-Name/ Schematic EM-1240 DK Power			
PCB料號 : 1199012401000			
品名規格 : PCB EM-1240-DK 4L V1.1			
Department :	Author :	Version :	
RDC	Richard Lai	1.1	
Date : Friday, May 05, 2006	PAGE	4 of 4	Size B