

VPort P06-1MP-M12シリーズ

EN 50155、HDビデオ映像、コンパクトIPカメラ



機能と特長

- 1/2.7”プログレッシブスキャンカメラ、最大解像度1280 x 800、最大30 fps
- DNRおよびWDRを使用した高品質なビデオ画像
- 最大で3つの独立したH.264またはMJPEGビデオストリームに対応
- DynaStream™により最適化されたネットワーク効率を実現
- CBR Pro™により制限された帯域幅でも高品質の画像を伝送
- 自動設定のためのDHCPオプション66/67をサポート
- 1つの内蔵オーディオ入力またはマイク
- 標準および相互運用性のためのONVIFサポート

認証



製品紹介

コンパクトなVPort P06-1MP-M12カメラは、HD（720P、1280 x 720）ビデオ画像を提供し、3つのH.264/MJPEGビデオストリームに対応しており、モバイルIPビデオ監視アプリケーション向けにさまざまな設置または環境で優れた汎用性と堅牢性を備えています。また、これらのカメラはEN 50155必須検査項目に準拠しています。¹動作温度、入力電圧、サージ、ESD、振動、保護コーティングおよび電源絶縁についてカバーしています。さまざまな産業用アプリケーションに適しています。これらのカメラは、防犯耐衝撃性（EN62262 IK10）、-25~55°Cまたは-40~70°C（Tモデル）の動作温度範囲、堅牢なM12イーサネットポート、1つのオーディオ入力、PoE対応電源入力、IP66防雨防塵保護等級、除湿膜、選択可能レンズを備えています。

仕様

Ethernet Interface

PoE Ports (10/100BaseT(X), M12 D-coded 4-pin female connector)	1
--	---

Ethernet Software Features

Protocols	TCP/IP IPv4 UDP HTTP RTP/RTSP ARP UPnP FTP TFTP NTP Client DNS QoS IGMP v3 ICMP SNMPv1/v2c/v3 DHCP Opt66/67 HTTPS
-----------	---

1. 本製品は、EN 50155規格で定められた鉄道車両アプリケーションに適しています。詳細については、こちらを参照してください：
www.moxa.com/doc/specs/EN_50155_Compliance

Security Functions

Password	User-level password protection
Filter	IP address
Encryption	HTTPS

Power Parameters

No. of Power Inputs	1
Source of Input Power	PoE (IEEE 802.3af)
Input Current	0.12 A @ 48 VDC

Camera Characteristics

Sensor	1/2.7-in HD progressive scan CMOS
Lens	VPort P06-1MP-M12-CAM28 Series: f=2.8 mm, F2.0, Diagonal 126°, Horizontal 113°, Vertical 58° VPort P06-1MP-M12-CAM36 Series: f=3.6 mm, F1.6, Diagonal 99°, Horizontal 94°, Vertical 47° VPort P06-1MP-M12-CAM42 Series: f=4.2 mm, F1.8, Diagonal 87°, Horizontal 80°, Vertical 43° VPort P06-1MP-M12-CAM60 Series: f=6.0 mm, F1.6, Diagonal 60°, Horizontal 55°, Vertical 29° VPort P06-1MP-M12-CAM80 Series: f=8.0 mm, F1.6, Diagonal 45°, Horizontal 40°, Vertical 22°
Camera Angle	Pan: $\pm 30^\circ$, Tilt: 0° to 90° (controlled manually)
Minimum Illumination	Color: 0.2 lux, at F1.2 (Gain High, 50 IRE, 1/30 sec)
Synchronization	Internal
White Balance	ATW/AWB
Electronic Shutter	Auto, Fixed (1/30 to 1/25000 sec)
S/N Ratio	Maximum 50 dB (AGC off; DNR on)
DNR (digital noise reduction)	Built-in 2D/3D DNR
WDR (wide dynamic range)	110 dB
Flickerless Control	Automatic, 50 Hz, 60 Hz modes
Image Rotation	Flip, Mirror, and 180° rotation
Image Setting	Manual tuning with saturation, sharpness, and contrast
AGC (auto gain control)	2X, 4X, 8X, 16X, 32X, 64X
BLC (back light compensation)	High/Medium/Low

Video Interface

Video Compression	H.264 (ISO/IEC 14496-10) or MJPEG
Video Output	via Ethernet
Video Streams	3 independent H.264 or MJPEG video streams

Video Resolution and FPS (frames per second)	NTSC		PAL	
	Size	Max. FPS	Size	Max. FPS
QCIF	176 x 112	30	176 x 144	25
QVGA	320 x 240	30	320 x 240	25
CIF	352 x 240	30	352 x 288	25
VGA	640 x 480	30	640 x 480	25
4CIF	704 x 480	30	704 x 576	25
Full D1	720 x 480	30	720 x 576	25
SVGA	800 x 600	30	800 x 600	25
HD	1280 x 720	30	1280 x 720	25
WXGA	1280 x 800	30	1280 x 800	25

Note: Multiple streams may not support up to 30 FPS.

Video Viewing	<p>DynaStream™ support for changing the video frame rate automatically</p> <p>CBR Pro™ for good image quality in limited bandwidth transmissions</p> <p>3 privacy mask areas provided</p> <p>Adjustable image size and quality</p> <p>Timestamp and text overlay</p> <p>OSD (On Screen Display) position adjustable</p> <p>Maximum of 5 simultaneous unicast connections, 50 multicast clients</p>
---------------	--

Audio Interface

Audio Inputs	<p>VPort P06-1MP-M12-MIC Series: 1 x built-in microphone</p> <p>VPort P06-1MP-M12 Series: 1 x Line-in, with RCA connector</p>
Audio Format	Mono, PCM (G.711)

Camera Software Development

Video Standards	ONVIF Profile S
-----------------	-----------------

Camera Alarm Software Features

Intelligent Video	Camera tampering detection
Video Motion Detection	3 independently configurable areas
Scheduling	Daily repeat timing schedule
Imaging	JPEG snapshots for pre/trigger/post alarm images
Custom Alarms	HTTP event servers for setting customized alarm actions
FTP Messaging	Automatic transfer of stored images via FTP as event-triggered actions

Software Requirements

Memory Size	1 GB
Operating System	Windows 7 or above
Browser	Internet Explorer 9.x or above
Multimedia	DirectX 9.0C or above

Physical Characteristics

Housing	Plastic top cover, metal bottom plate IP66 rain and dust protection IK10 vandal resistant protection Transparent PC cover
Dimensions	110 x 47 mm (4.33 x 1.85 in)
Weight	310 g (0.68 lb)
Installation	Panel mounting
Protection	-CT models: PCB conformal coating

Environmental Limits

Operating Temperature	Standard Models: -25 to 55°C (-13 to 131°F) Wide Temp. Models: -40 to 70°C (-40 to 158°F)
Storage Temperature (package included)	-40 to 85°C (-40 to 185°F)
Ambient Relative Humidity	5 to 95% (non-condensing)
Ingress Protection	IEC 60529, IP66
Vandal Resistance	EN 62262, IK10
Altitude	2000 m

Standards and Certifications

EMI	CISPR 32, FCC Part 15B Class A
EMS	IEC 61000-4-2 ESD: Contact: 6 kV; Air: 8 kV IEC 61000-4-3 RS: 80 MHz to 1 GHz: 20 V/m IEC 61000-4-4 EFT: Signal: 2 kV IEC 61000-4-5 Surge: Signal: 1 kV IEC 61000-4-6 CS: 10 V IEC 61000-4-8 PFMF
Freefall	IEC 60068-2-31
Railway Fire Protection	EN 45545-2
Safety	UL 62368-1
Shock	IEC 60068-2-27, IEC 61373, EN 50155
Vibration	IEC 60068-2-64, IEC 61373, EN 50155
Railway	EN 50155 (complies with a portion of EN 50155 specifications)

MTBF

Time	1,944,687 hrs
Standards	Telcordia SR332

Warranty

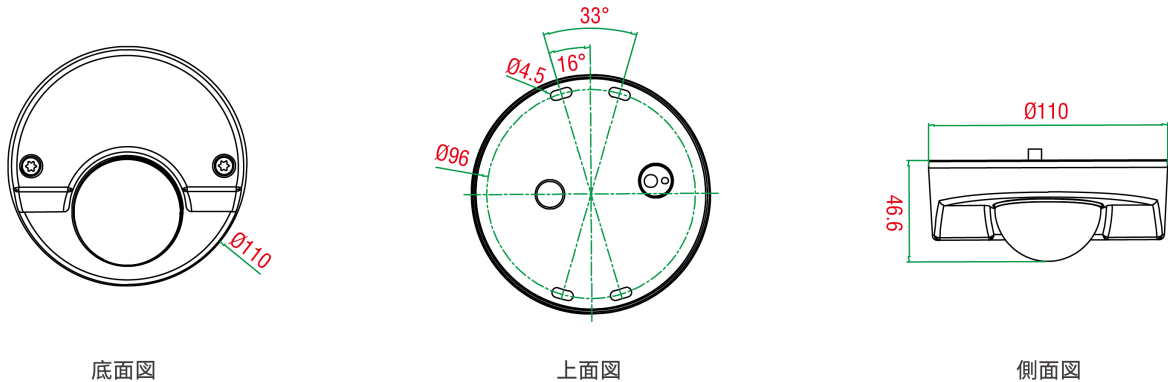
Warranty Period	5 years
Details	See www.moxa.com/jp/warranty

Package Contents

Device	1 x VPort P06-1MP-M12 Series camera
Installation Kit	1 x sticker 1 x L-type Torx screwdriver 1 x grounding screw 4 x indented hexagonal head tapping screws, nuts, gaskets, and spring washers
Documentation	1 x document and software CD 1 x quick installation guide 1 x warranty card

寸法

単位: mm (インチ)



注文情報

Model Name	Lens	Audio Interface	Operating Temp.	Conformal Coating
VPort P06-1MP-M12-CAM28	2.8 mm	Line-in	-25 to 55°C	-
VPort P06-1MP-M12-CAM36	3.6 mm	Line-in	-25 to 55°C	-
VPort P06-1MP-M12-CAM42	4.2 mm	Line-in	-25 to 55°C	-
VPort P06-1MP-M12-CAM60	6.0 mm	Line-in	-25 to 55°C	-
VPort P06-1MP-M12-CAM80	8.0 mm	Line-in	-25 to 55°C	-
VPort P06-1MP-M12-CAM28-T	2.8 mm	Line-in	-40 to 70°C	-
VPort P06-1MP-M12-CAM36-T	3.6 mm	Line-in	-40 to 70°C	-
VPort P06-1MP-M12-CAM42-T	4.2 mm	Line-in	-40 to 70°C	-
VPort P06-1MP-M12-CAM60-T	6.0 mm	Line-in	-40 to 70°C	-
VPort P06-1MP-M12-CAM80-T	8.0 mm	Line-in	-40 to 70°C	-
VPort P06-1MP-M12-MIC-CAM28	2.8 mm	Microphone	-25 to 55°C	-
VPort P06-1MP-M12-MIC-CAM36	3.6 mm	Microphone	-25 to 55°C	-
VPort P06-1MP-M12-MIC-CAM42	4.2 mm	Microphone	-25 to 55°C	-
VPort P06-1MP-M12-MIC-CAM60	6.0 mm	Microphone	-25 to 55°C	-
VPort P06-1MP-M12-MIC-CAM80	8.0 mm	Microphone	-25 to 55°C	-
VPort P06-1MP-M12-MIC-CAM28-T	2.8 mm	Microphone	-40 to 70°C	-
VPort P06-1MP-M12-MIC-CAM36-T	3.6 mm	Microphone	-40 to 70°C	-
VPort P06-1MP-M12-MIC-CAM42-T	4.2 mm	Microphone	-40 to 70°C	-
VPort P06-1MP-M12-MIC-CAM60-T	6.0 mm	Microphone	-40 to 70°C	-

Model Name	Lens	Audio Interface	Operating Temp.	Conformal Coating
VPort P06-1MP-M12-MIC-CAM80-T	8.0 mm	Microphone	-40 to 70°C	-
VPort P06-1MP-M12-CAM28-CT	2.8 mm	Line-in	-25 to 55°C	P
VPort P06-1MP-M12-CAM36-CT	3.6 mm	Line-in	-25 to 55°C	P
VPort P06-1MP-M12-CAM42-CT	4.2 mm	Line-in	-25 to 55°C	P
VPort P06-1MP-M12-CAM60-CT	6.0 mm	Line-in	-25 to 55°C	P
VPort P06-1MP-M12-CAM80-CT	8.0 mm	Line-in	-25 to 55°C	P
VPort P06-1MP-M12-CAM28-CT-T	2.8 mm	Line-in	-40 to 70°C	P
VPort P06-1MP-M12-CAM36-CT-T	3.6 mm	Line-in	-40 to 70°C	P
VPort P06-1MP-M12-CAM42-CT-T	4.2 mm	Line-in	-40 to 70°C	P
VPort P06-1MP-M12-CAM60-CT-T	6.0 mm	Line-in	-40 to 70°C	P
VPort P06-1MP-M12-CAM80-CT-T	8.0 mm	Line-in	-40 to 70°C	P
VPort P06-1MP-M12-MIC-CAM28-CT	2.8 mm	Microphone	-25 to 55°C	P
VPort P06-1MP-M12-MIC-CAM36-CT	3.6 mm	Microphone	-25 to 55°C	P
VPort P06-1MP-M12-MIC-CAM42-CT	4.2 mm	Microphone	-25 to 55°C	P
VPort P06-1MP-M12-MIC-CAM60-CT	6.0 mm	Microphone	-25 to 55°C	P
VPort P06-1MP-M12-MIC-CAM80-CT	8.0 mm	Microphone	-25 to 55°C	P
VPort P06-1MP-M12-MIC-CAM28-CT-T	2.8 mm	Microphone	-40 to 70°C	P
VPort P06-1MP-M12-MIC-CAM36-CT-T	3.6 mm	Microphone	-40 to 70°C	P
VPort P06-1MP-M12-MIC-CAM42-CT-T	4.2 mm	Microphone	-40 to 70°C	P
VPort P06-1MP-M12-MIC-CAM60-CT-T	6.0 mm	Microphone	-40 to 70°C	P
VPort P06-1MP-M12-MIC-CAM80-CT-T	8.0 mm	Microphone	-40 to 70°C	P

アクセサリ（別売）

Camera Mounting Kits

VP-SCO1	Side-cable-out adaptor for mounting the VPort P06-1MP-M12
VP-FP1	Fixed plate for mounting the VPort P06-1MP-M12
VP-06TC1	Top cover for the VPort 06-1MP-M12

© Moxa Inc. All rights reserved. 2023年5月30日更新。

Moxa Inc.の明白な許可を書面で取得しない限り、本書およびその一部の複製や使用はいかなる方法やいかなる場合でも許可されません。製品の仕様は予告なく変更されることがあります。最新の製品情報については当社のWebサイトをご覧ください。