

MPC-2190 系列

19 吋 ECDIS 色彩校準、無風扇面板電腦



特色與優點

- 第三代 Intel® 處理器 (Intel® Core™ i7 3517UE 1.7 GHz 或 Celeron® 1047UE, 1.40 GHz)
- 19 吋面板電腦
- 針對 ECDIS 標準進行色彩校準 (由 CTOS 提供)
- SavvyTouch 顯示控制
- 無風扇系統設計
- 內建 NMEA 0183 和三合一軟體可選擇的 RS-232/422/485 介面
- 多個電源供應器 (交流和直流)

認證



簡介

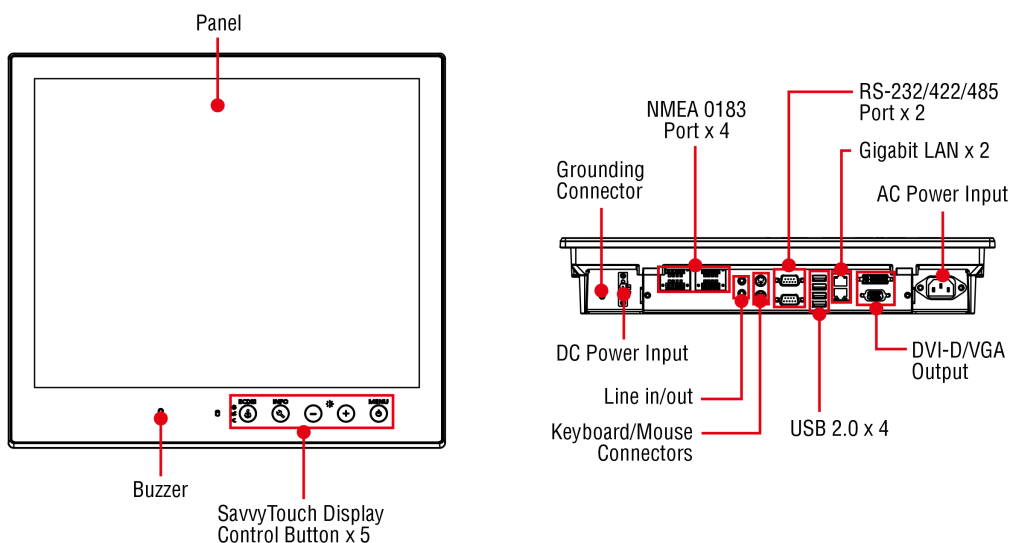
MPC-2190 面板電腦採用 Intel® 第三代處理器並配備 4 GB 系統記憶體，提供可靠、高效能、用途廣泛的平台，適用於工業海運環境。MPC-2190 面板電腦配備兩個 RS-232/422/485 串列埠、四個 NMEA 0183 連接埠和兩個 Gigabit 乙太網路連接埠，支援多種串列和海運專用介面以及高速 IT 通訊，所有這些都提供本機網路備援。

MPC-2190 系列配備一系列適用於工業環境的標準顯示增強功能 (包括全範圍調光、寬視角和選配光學貼合)，以及一些專為海運環境部署的創新：方便使用的 OSD 控制 (稱為 SavvyTouch，配備可在黑暗情況下方便調整的接近感測器)、關於硬體狀態的即時 BIOS 等級報告 (用於確定機器無法啟動的原因)，以及可針對 ECDIS 標準規定的三個預設校準之中的任何一個進行即時亮度調整的快速切換 ECDIS 按鈕 (僅限色彩校準的 ECDIS 型號)。除此之外，MPC-2190 系列也採用模組化設計，使裝置整合到新的或現有工業系統變得更加簡單，從而降低部署成本並縮短整體上市時間。

MPC-2190 面板電腦符合多項工業海事標準，包括 IEC 60945、IEC 61162、IEC 61174、DNV 和 IACS E10，達到海運作業所需的彈性。IP54 (前面板) 和 IP22 (後面板) 防護等級一體式外殼可針對海運環境中的嚴苛條件達到加強保護的效果。

此外，可按照要求提供色彩校準的 ECDIS 型號，為 ECDIS 製圖和導航站提供理想的 HMI 替代方案。

外觀



規格

Computer

CPU	MPC-2190Z-W7E/2190X/2190Z: Intel® Celeron® Processor 1047UE (2M Cache, 1.40 GHz) MPC-2197X/2197Z: Intel® Core™ i7-3517UE Processor (4M Cache, up to 2.80 GHz)
System Chipset	Mobile Intel® HM65 Express Chipset
Graphics Controller	Intel® HD Graphics 520
System Memory Pre-installed	4 GB DDR3/DDR3L
System Memory Slot	SODIMM DDR3/DDR3L slot x 1
Pre-installed OS	Windows Embedded Standard 7 (WS7P) 64-bit
Supported OS	Windows 7 Pro for Embedded Systems Windows Embedded Standard 7 (WS7P) 64-bit Windows 10 Pro 64-bit Windows 10 Embedded IoT Ent 2016 LTSB High End EPKEA Windows 10 Embedded IoT Ent 2016 LTSB Value EPKEA
Storage Slot	2.5-inch HDD/SSD slots x 2

Computer Interface

Ethernet Ports	Auto-sensing 10/100/1000 Mbps ports (RJ45 connector) x 2
Serial Ports	RS-232/422/485 ports x 2, software selectable (DB9 male)
USB 2.0	USB 2.0 hosts x 4, type-A connectors
Audio Input/Output	Line in x 1, Line out x 1, 3.5 mm phone jack
PS/2	Keyboard PS/2 x 1, Mouse PS/2 x 1
Video Output	DVI-D x 1, 29-pin DVI-D connectors (female) VGA x 1, 15-pin D-sub connector (female)
NMEA Port	NMEA 0183 ports x 4 (terminal block)

LED Indicators

System	Power x 1
LAN	2 per port (10/100/1000 Mbps)

Display

Active Display Area	376.32 (H) x 301.06 (V) mm
Aspect Ratio	5:4
Contrast Ratio	2000:1
Light Intensity (Brightness)	300 cd/m ²
Max. No. of Colors	16.7M (8-bit/color)
Panel Size	19-inch viewable image
Panel Type	MVA
Pixel Pitch (RGB)	0.294 (H) x 0.294 (V) mm
Pixels	1280 x 1024

Response Time	20 ms (gray to gray)
Viewing Angles	178°/178°
Touch Function	
Touch Type	MPC-2190Z/2197Z: Capacitive Touch (PCAP) MPC-2190X/2197X: None
Touch Support Points	MPC-2190Z/2197Z: 4 points
Serial Interface	
Baudrate	50 bps to 115.2 kbps
Data Bits	5, 6, 7, 8
Flow Control	RTS/CTS, XON/XOFF, ADDC® (automatic data direction control) for RS-485, RTS Toggle (RS-232 only)
Parity	None, Even, Odd, Space, Mark
Stop Bits	1, 1.5, 2
NMEA Interface	Serial Standards: NMEA 0183: RS-422 NMEA 2000: CAN bus (available on request) Baudrate: 4800 bps Data Bits: 8 Handshake: None Optical Isolation Protection: 3 kV Parity: None Serial Standards: NMEA 0183v2 (NMEA 2000 available on request) Stop Bits: 1, 1.5, 2 Voltage Differential: -6 V to +6 V (maximal differential level)
Serial Signals	
RS-232	TxD, RxD, RTS, CTS, DTR, DSR, DCD, GND
RS-422	Tx+, Tx-, Rx+, Rx-, GND
RS-485-2w	Data+, Data-, GND
RS-485-4w	Tx+, Tx-, Rx+, Rx-, GND
Power Parameters	
Input Voltage	100 to 240 VAC, 18 to 34 VDC
Physical Characteristics	
Housing	Metal
IP Rating	IP54, front IP20, rear
Dimensions	429 x 387 x 74.5 mm (16.89 x 15.24 x 2.93 in)
Weight	8,658 g (19.09 lb)
Environmental Limits	
Operating Temperature	-15 to 55°C (5 to 131°F)
Storage Temperature (package included)	-20 to 60°C (-4 to 140°F)
Ambient Relative Humidity	5 to 95% (non-condensing)

Standards and Certifications

EMC	EN 55032/24
EMI	CISPR 32, FCC Part 15B Class A
EMS	IEC 61000-4-2 ESD: Contact: 4 kV; Air: 8 kV IEC 61000-4-3 RS: 80 MHz to 1 GHz: 10 V/m IEC 61000-4-4 EFT: Power: 1 kV; Signal: 0.5 kV IEC 61000-4-5 Surge: Power: 2 kV; Signal: 1 kV IEC 61000-4-6 CS: 10 V
Environmental Testing	IEC 60068-2-1, DNVGL-CG-0339 IEC 60068-2-2, DNVGL-CG-0339 IEC 60068-2-2, IEC 60945 IEC 60068-2-30, IEC 60945
Maritime	ABS, CCS, DNV-GL
Safety	EN 60950-1, IEC 60950-1, UL 60950-1
Vibration	IEC 60068-2-6, IEC 60945, IEC 60068-2-64, DNVGL-CG-0339

Declaration

Green Product	RoHS, CRoHS, WEEE
---------------	-------------------

Warranty

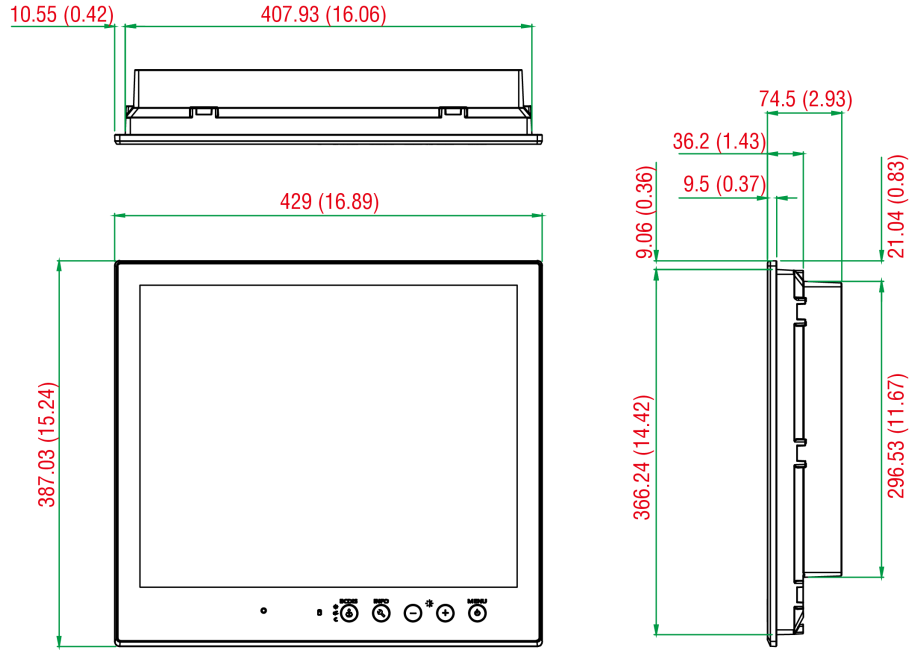
Details	See www.moxa.com/tw/warranty
Warranty Period	LCD: 1 year System: 3 years

Package Contents

Device	1 x MPC-2190 Series computer
Installation Kit	1 x terminal block, 2-pin 1 x panel-mounting kit
Documentation	1 x document and software CD 1 x quick installation guide 1 x warranty card

尺寸

單位：公釐 (英吋)



訂購資訊

Model Name	Panel	CPU	RAM	OS Preinstalled	Touchscreen	LAN	Serial	NME A 0183	Video Outputs	Power Input	IP Rating	Operating Temp.
MPC-2190Z-W7E	19" (4:3) 300 nits	Celeron 1047UE	4 GB	W7E OS 64 GB SSD	Capacitive	2	2	4	1 x VGA 1 x DVI-D	12/24 VDC 100-240 VAC	IP54 (front), IP20 (rear)	-15 to 55°C
MPC-2190Z	19" (4:3) 300 nits	Celeron 1047UE	4 GB	-	Capacitive	2	2	4	1 x VGA 1 x DVI-D	12/24 VDC 100-240 VAC	IP54 (front), IP20 (rear)	-15 to 55°C
MPC-2190X	19" (4:3) 300 nits	Celeron 1047UE	4 GB	-	-	2	2	4	1 x VGA 1 x DVI-D	12/24 VDC 100-240 VAC	IP54 (front), IP20 (rear)	-15 to 55°C
MPC-2197Z	19" (4:3) 300 nits	i7-3517UE	4 GB	-	Capacitive	2	2	4	1 x VGA 1 x DVI-D	12/24 VDC 100-240 VAC	IP54 (front), IP20 (rear)	-15 to 55°C
MPC-2197X	19" (4:3) 300 nits	i7-3517UE	4 GB	-	-	2	2	4	1 x VGA 1 x DVI-D	12/24 VDC 100-240 VAC	IP54 (front), IP20 (rear)	-15 to 55°C

配件 (選購)

Desktop Mounting Kits

MPC-MD-2-19-DMTK w/ hinge	Desktop-mounting kit for 19-inch panels
MPC-MD-2-19-DMTK w/o hinge	Desktop-mounting kit for 19-inch panels, (no hinge)

Panel Mounting Kits

MPC-MD-2-19-RMTK	Rubber gasket for 19-inch panels
------------------	----------------------------------

VESA Mounting Kits

MPC-MD-2-19-VESAMTK

VESA kit for 19-inch panels (can be used with 100 x 100 mm or 280 x 150 mm VESA mounts)

© Moxa Inc. 版權所有.2019 年 3 月 19 日更新。

未經 Moxa Inc. 明確書面許可，不得以任何方式複製或使用本文件及其任何部分。產品規格如有變更，恕不另行通知。請至本公司官網了解最新的產品資訊。