

# OnCell G3150A-LTE 系列

## 堅固型 LTE 串列/乙太網路至行動通訊閘道器



### 特色與優點

- 以雙 SIM 卡提供雙蜂巢式網路系統備援
- GuaranLink 提供可靠的蜂巢式網路連線
- 堅固耐用的硬體設計，適合用於高危險場所（ATEX Zone 2/IECEX 規格）
- 使用 IPsec、GRE 和 OpenVPN 通訊協定的 VPN 安全連線功能
- 工業級設計，支援雙電源輸入，內建支援 relay DI/DO
- 電源隔離設計，防護設備免於電子干擾的危害

### 認證



### 簡介

OnCell G3150A-LTE 是一台可靠、安全的 LTE 閘道器，它提供最新科技之 LTE 總體覆蓋率。此款 LTE 行動通訊閘道為您的串列連線與乙太網路提供更為可靠的行動通訊連接應用。

為了提高工業級網路的可靠度，OnCell G3150A-LTE 具備電源隔離設計，再加以最高級別的 EMS 和寬溫的支援，OnCell G3150A-LTE 可以在任何嚴苛的應用場合提供最高等級的設備穩定性。此外，透過雙 SIM 卡 GuaranLink 和雙電源輸入，OnCell G3150A-LTE 為您的應用確保不中斷的網路備援連接。

OnCell G3150A-LTE 也具備 3 合 1 串列埠，可用於串列至 LTE 行動通訊網路通訊，利用 OnCell G3150A-LTE 與串列設備進行資料收集與交換。

### 具備 VPN 和網路安全功能的高速遠端閘道器

- 多波段支援
- 提供 NAT/OpenVPN/GRE/IPsec 功能的安全可靠 VPN 支援
- 基於 IEC 62443 的網路安全功能

### 工業級隔離與備援設計

- 以雙電源輸入提供電源備援
- 支援雙 SIM 卡之行動通訊連接備援
- 電源隔離設計為電源提供絕緣保護
- 4 層式 GuaranLink 帶來更可靠的行動通訊連接
- 支援 -30 至 70°C 寬溫作業能力

### 規格

#### Cellular Interface

Cellular Standards	GSM, GPRS, EDGE, UMTS, HSPA, LTE CAT-3
Band Options (EU)	LTE Band 1 (2100 MHz) / LTE Band 3 (1800 MHz) / LTE Band 7 (2600 MHz) / LTE Band 8 (900 MHz) / LTE Band 20 (800 MHz) UMTS/HSPA 2100 MHz / 1900 MHz / 850 MHz / 800 MHz / 900 MHz
Band Options (US)	LTE Band 2 (1900 MHz) / LTE Band 4 (AWS MHz) / LTE Band 5 (850 MHz) / LTE Band 13 (700 MHz) / LTE Band 17 (700 MHz) / LTE Band 25 (1900 MHz) UMTS/HSPA 2100 MHz / 1900 MHz / AWS / 850 MHz / 900 MHz Universal quad-band GSM/GPRS/EDGE 850 MHz / 900 MHz / 1800 MHz / 1900 MHz
LTE Data Rate	20 MHz bandwidth: 100 Mbps DL, 50 Mbps UL 10 MHz bandwidth: 50 Mbps DL, 25 Mbps UL

HSPA Data Rates	42 Mbps DL, 5.76 Mbps UL
EDGE Data Rates	237 kbps DL, 237 kbps UL
GPRS Data Rates	85.6 kbps DL, 42.8 kbps UL
No. of SIMs	2
Cellular Antenna Connectors	2 SMA female

#### Ethernet Interface

10/100BaseT(X) Ports (RJ45 connector)	1
---------------------------------------	---

#### GPS Interface

GPS Antenna Connector	1 SMA female, GPS (1575.42 MHz), GLONASS (1602 MHz)
-----------------------	---

#### Input/Output Interface

Alarm Contact Channels	1, Resistive load: 1 A @ 24 VDC
Digital Inputs	+13 to +30 V for state 1 3 to -30 V for state 0
Buttons	Reset button

#### Ethernet Software Features

Management	ARP, DDNS, DHCP server, SMTP, SNMPv1/v2c/v3, Syslog, Telnet, TCP/IP, UDP, Web Console, Serial Console, Telnet Console, Remote SMS Control, Wireless Search Utility, OnCell Central Manager, GuaranLink
Security	HTTPS
Routing	NAT, Port forwarding
Firewall	Filter: MAC, IP protocol, port-based, Access IP list
Time Management	SNTP Client

#### IPsec VPN

Authentication	PSK/X.509/RSA
Encryption	DES, 3DES, AES, MD5, SHA-1, DH2, DH5
Concurrent VPN Tunnels	5

#### OpenVPN

Encryption	Blowfish CBC, DES CBC, DES-EDE3 CBC, AES-128/192/256 CBC
OpenVPN	OpenVPN (client and server), Tunnel mode (routing) and TAP mode (bridge)
Concurrent VPN Tunnels	5

#### Serial Interface

No. of Ports	1
Serial Standards	RS-232/422/485
Data Bits	5, 6, 7, 8
Stop Bits	1, 1.5, 2
Parity	None, Even, Odd, Space, Mark
Baudrate	75 bps to 921.6 kbps

Console Port	RS-232 (RJ45)
Connector	DB9 male
<b>Serial Signals</b>	
RS-232	TxD, RxD, RTS, CTS, DTR, DSR, DCD, GND
RS-422	Tx+, Tx-, Rx+, Rx-, GND
RS-485-2w	Data+, Data-, GND
RS-485-4w	Tx+, Tx-, Rx+, Rx-, GND
<b>Physical Characteristics</b>	
Housing	Metal
IP Rating	IP30
Dimensions	126 x 30 x 107.5 mm (4.96 x 1.18 x 4.23 in)
Weight	492 g (1.08 lb)
Installation	DIN-rail mounting, Wall mounting (with optional kit)
<b>Environmental Limits</b>	
Operating Temperature	Standard Models: 0 to 55°C (32 to 131°F) Wide Temp. Models: -30 to 70°C (-22 to 158°F)
Storage Temperature (package included)	-40 to 85°C (-40 to 185°F)
Ambient Relative Humidity	5 to 95% (non-condensing)
<b>Standards and Certifications</b>	
Safety	UL 60950-1
Hazardous Locations	ATEX, IECEx
EMC	EN 61000-6-2/-6-4
EMI	CISPR 22, FCC Part 15B Class A
EMS	IEC 61000-4-2 ESD: Contact: 8 kV; Air: 15 kV IEC 61000-4-3 RS: 80 MHz to 1 GHz: 10 V/m IEC 61000-4-4 EFT: Power: 2 kV; Signal: 1 kV IEC 61000-4-5 Surge: Power: 2 kV; Signal: 1 kV IEC 61000-4-6 CS: 10 V; 150 kHz to 80 MHz IEC 61000-4-8: 30 A/m
Freefall	IEC 60068-2-32
Vibration	IEC 60068-2-6
Shock	IEC 60068-2-27
Radio Frequency	FCC ID N7NMC7355, EN 301 489-1, EN 301 489-7, EN 301 511
<b>Power Parameters</b>	
Power Connector	Terminal block
Input Voltage	Redundant dual inputs, 12 to 48 VDC
Input Current	0.7 A @ 12 VDC, 0.2 A @ 48 VDC
Reverse Polarity Protection	Supported

## MTBF

Time	528,596 hrs
Standards	Telcordia SR332

## Warranty

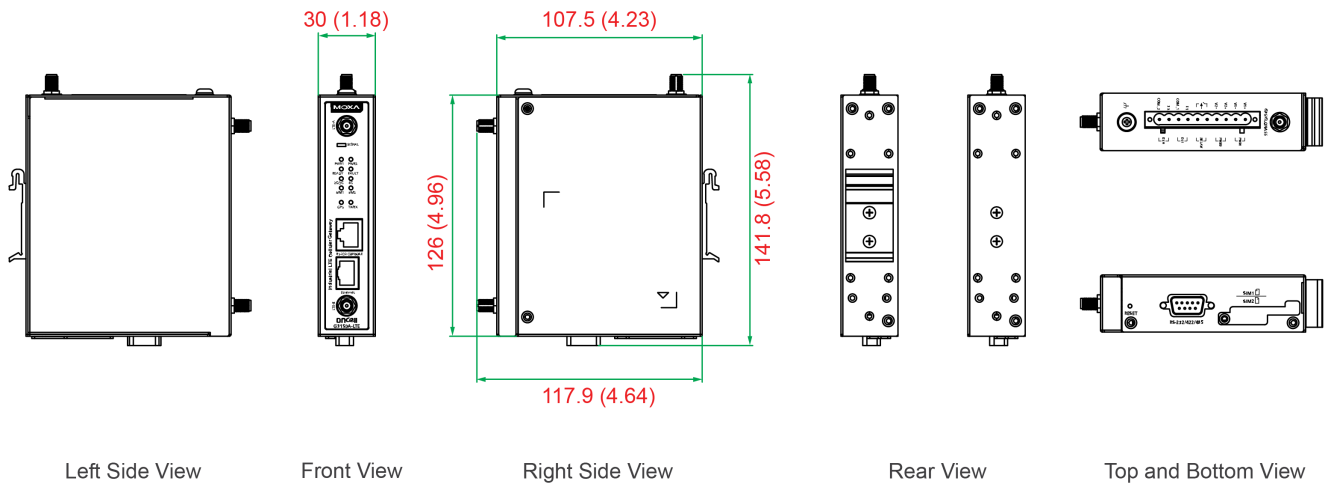
Warranty Period	5 years
Details	See <a href="http://www.moxa.com/tw/warranty">www.moxa.com/tw/warranty</a>

## Package Contents

Device	1 x OnCell G3150A-LTE Series LTE cellular gateway <sup>1</sup>
Installation Kit	1 x DIN-rail kit
Antenna	2 x LTE
Documentation	1 x quick installation guide 1 x warranty card

## 尺寸

Unit: mm (inch)



## 訂購資訊

Model Name	Cellular Standard	LTE Band	Operating Temp.
OnCell G3150A-LTE-US	4G LTE	US Band (B2/B4/B5/B13/B17/B25)	0 to 55°C
OnCell G3150A-LTE-US-T	4G LTE	US Band (B2/B4/B5/B13/B17/B25)	-30 to 70°C
OnCell G3150A-LTE-EU	4G LTE	EU Band (B1/B3/B7/B8/B20)	0 to 55°C
OnCell G3150A-LTE-EU-T	4G LTE	EU Band (B1/B3/B7/B8/B20)	-30 to 70°C

## 配件 (選購)

### Antennas

ANT-LTEUS-ASM-01	GSM/GPRS/EDGE/UMTS/HSPA/LTE, omni-directional rubber duck antenna, 1 dBi
ANT-LTE-ASM-02	GPRS/EDGE/UMTS/HSPA/LTE, omni-directional rubber duck antenna, 2 dBi
ANT-LTE-ASM-04 BK	LTE Stick antenna that covers 704-960/1710-2620 MHz providing omnidirectional radiation with a gain of 4.5 dBi.

1. 已啟動的 SIM 卡 (未隨附) 必須由第三方蜂巢式網路服務供應商提供。

ANT-LTE-ASM-05 BK	LTE stick antenna that covers 704-960/1710-2620 MHz with a gain of 5 dBi.
ANT-LTE-ANF-04	GSM/GPRS/EDGE/UMTS/HSPA/LTE, omni-directional outdoor antenna, 4 dBi, IP66
ANT-LTE-OSM-03-3m BK	Multi-band antenna that covers 700-2700 MHz. Specially designed for 2G, 3G, and 4G applications. Magnetic mounting is available.
ANT-LTE-OSM-06-3m BK MIMO	Multi-band antenna that covers 700-2700/2400-2500/5150-5850 MHz frequencies. Screw-fastened mounting and full IP67 waterproofing are available.
ANT-GPS-CSM-03-3m	Passive GPS antenna, 3 dBi, 1572 MHz
ANT-GPS-CSM-04-0.2m BK	ANT-GPS-CSM-04-0.2m BK
ANT-GPS-OSM-05-3M BK	Active GPS antenna, 26 dBi, 1572 MHz, L1 band antenna for GPS

#### Wireless Antenna Cables

A-CRF-SMSF-R3-100	Cellular magnetic-base SMA connector with 1-meter RF cable
CRF-SMA(M)/N(M)-300	N-type (male) to SMA (male) CFD200 cable, 3 m

#### Wall-Mounting Kits

WK-36-02	Wall-mounting kit, 2 plates, 6 screws, 36 x 67 x 2 mm
----------	---

© Moxa Inc. 版權所有.2019 年 11 月 19 日更新。

未經 Moxa Inc. 明確書面許可，不得以任何方式複製或使用本文件及其任何部分。產品規格如有變更，恕不另行通知。請至本公司官網了解最新的產品資訊。