

BXP-C100 系列

配備有 Tiger Lake 第 11 代 Intel® Core™ 處理器基礎型號和高解析介面型號的嵌入式電腦



特色與優點

- 無風扇設計的嵌入式電腦
- 第 11 代 Intel® Celeron® 或 Intel® Core® 處理器
- 豐富介面選項，最多 10 個串列埠和 10 個 LAN 連接埠
- 精巧型尺寸，適合多數的現場應用
- -30°C 至 60°C 操作溫度範圍

認證



簡介

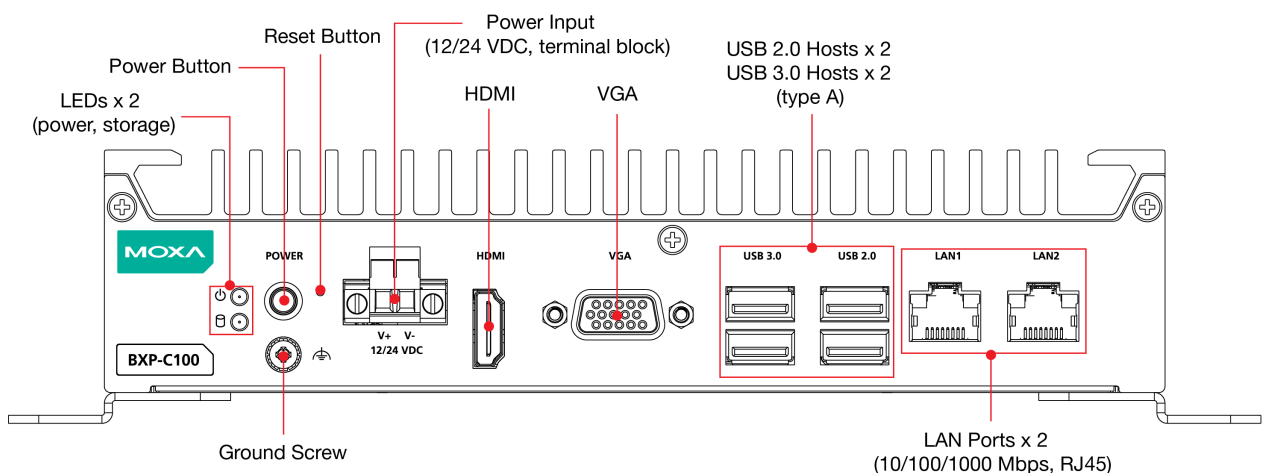
BXP-C100 壁掛式電腦採用第 11 代 Intel® Celeron® 或 Intel® Core™i5 或 i7 處理器。此電腦配備有豐富的介面選項，包括多達 10 種軟體可選的 RS-232/422/485 序列埠、多達 10 個千兆位元以太網路連接埠、4 個數位輸入和 4 個數位輸出。通訊介面位於產品的正面和背面，方便工業應用的存取和擴充。包含 CFast 和 SD 插槽的雙儲存設計可輕鬆實現儲存擴充。電池槽獨特的電池扣蓋設計可牢固電池定位，並確保所有操作環境下的穩定性。

BXP-C100 精巧型壁掛式電腦採用無風扇設計，可承受 -30 至 60°C 的溫度範圍，非常適合惡劣的操作環境。內建 TPM 2.0 模組可確保平台免受未經授權的存取。BXP-C100 系列是一款智慧運算解決方案，可滿足工業環境中的 OT 和 IT 雙需求。

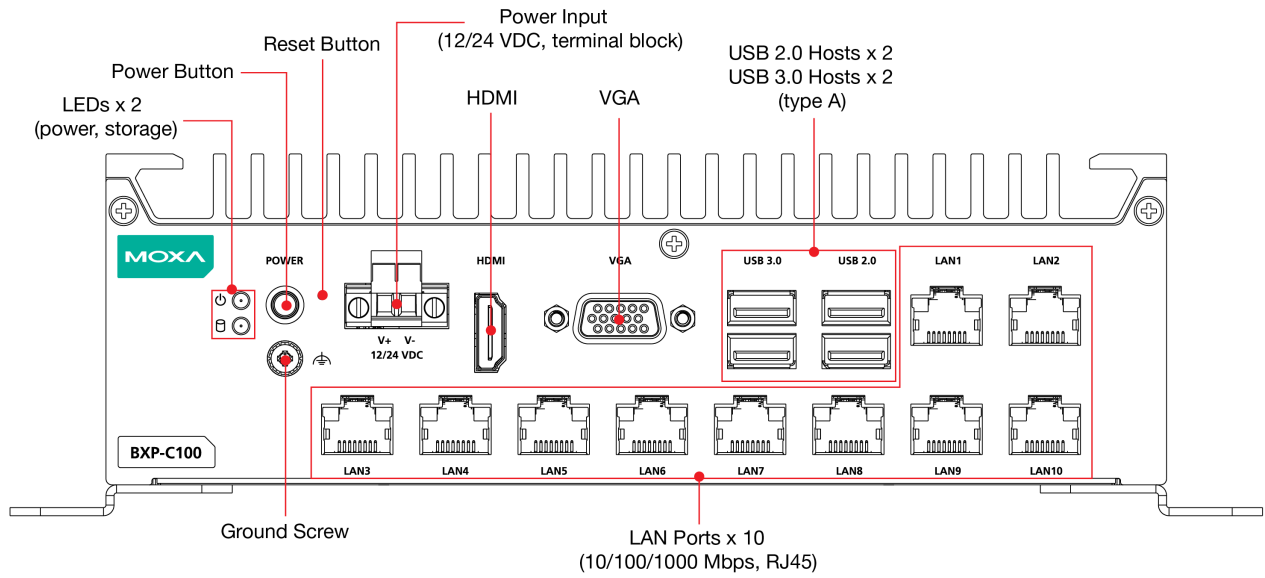
外觀

前視圖

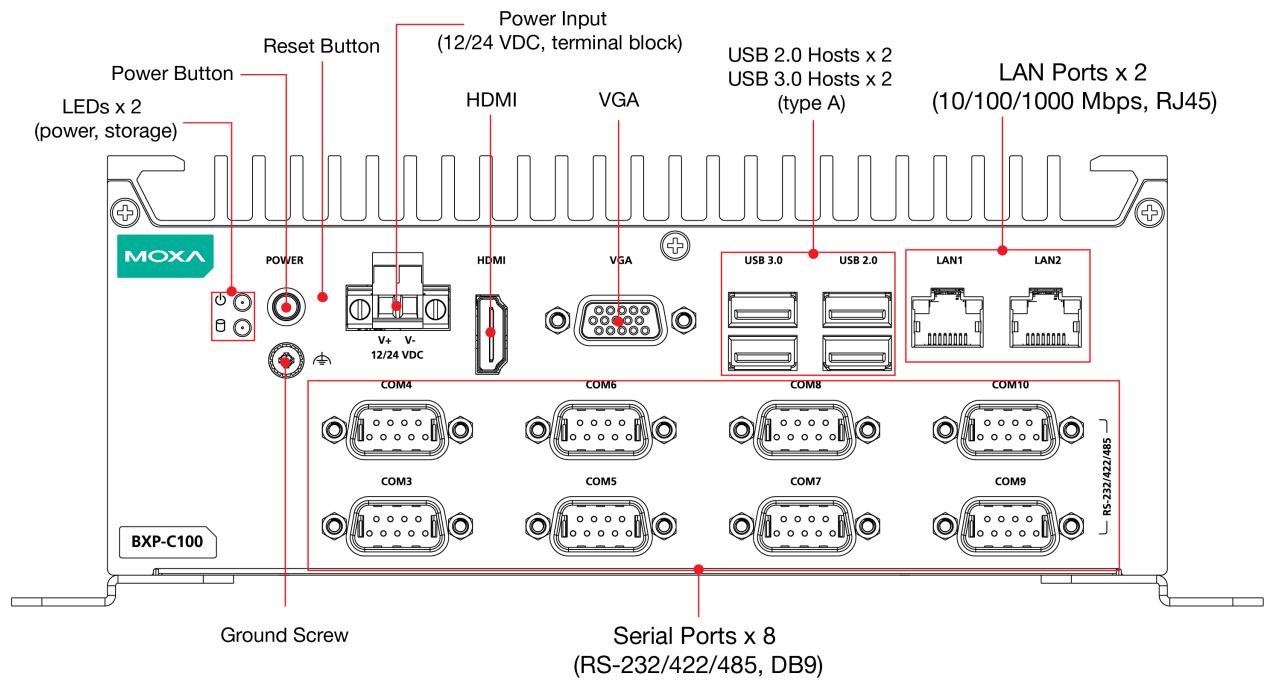
BXP-C100-C1-T/C5-T/C7-T/C1-T-Win10/C5-T-Win10/C7-T-Win10 型號



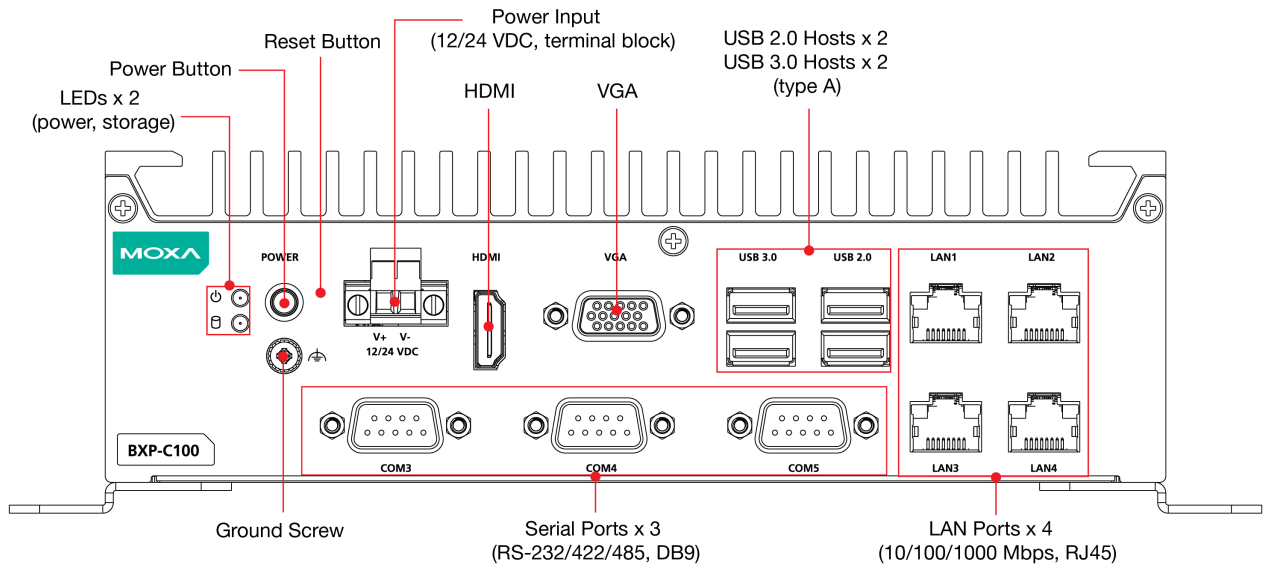
BXP-C100-C1-8L-T/C5-8L-T/C7-8L-T 型號



BXP-C100-C1-8C-T/C5-8C-T/C7-8C-T 型號

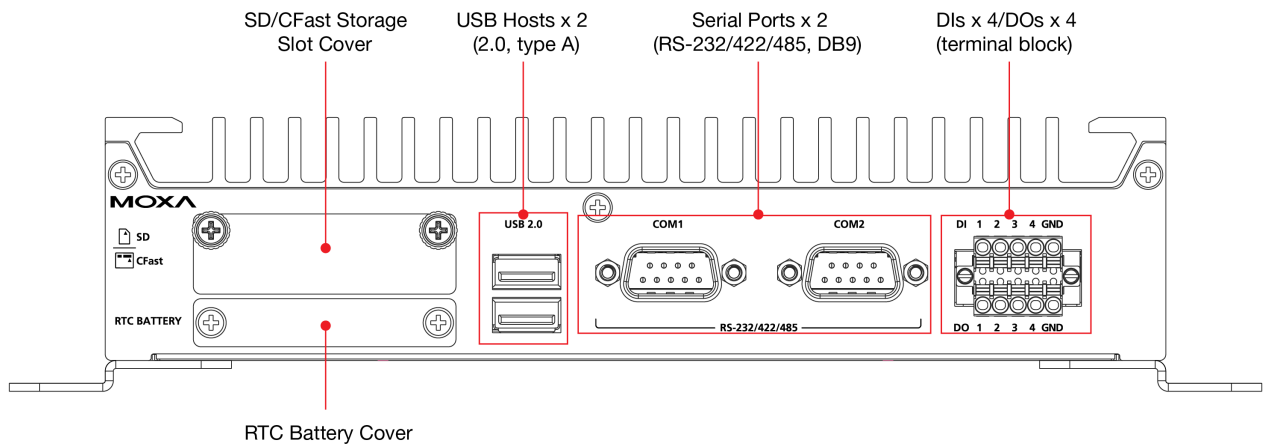


BXP-C100-C1-2L3C-T/C5-2L3C-T/C7-2L3C-T 型號

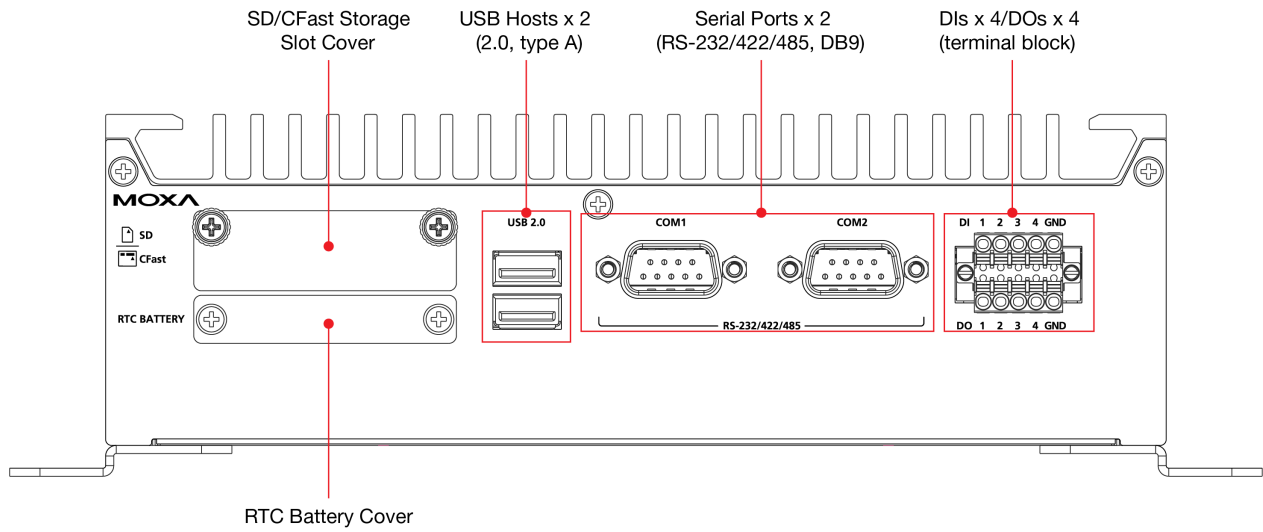


後視圖

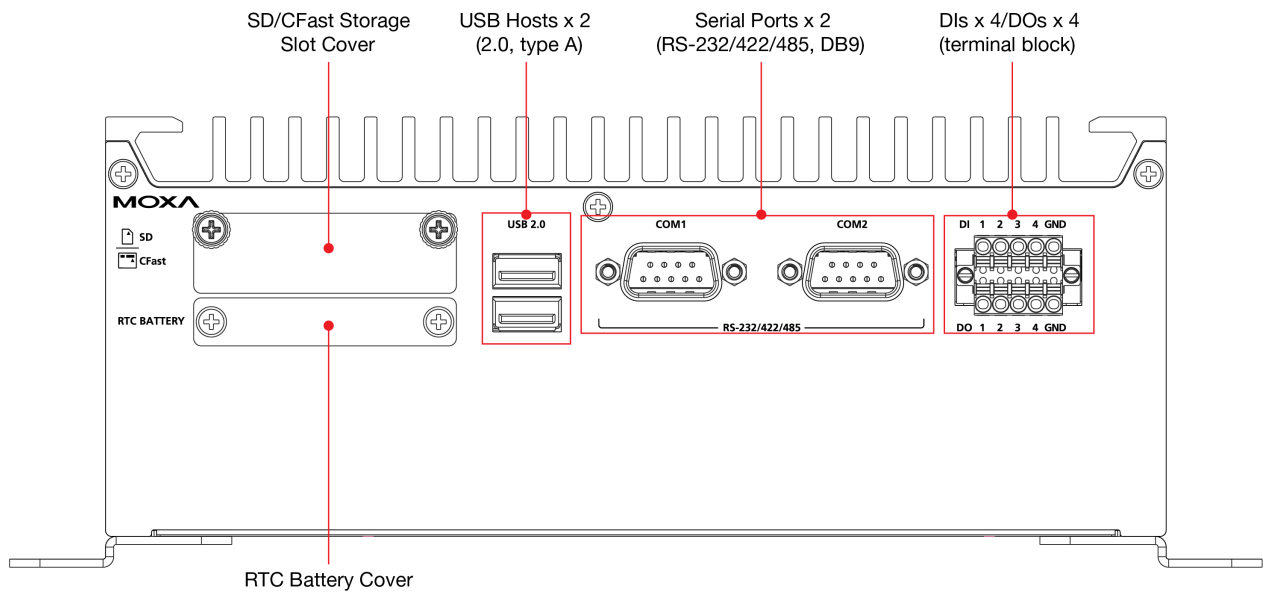
BXP-C100-C1-T/C5-T/C7-T/C1-T-Win10/C5-T-Win10/C7-T-Win10 型號



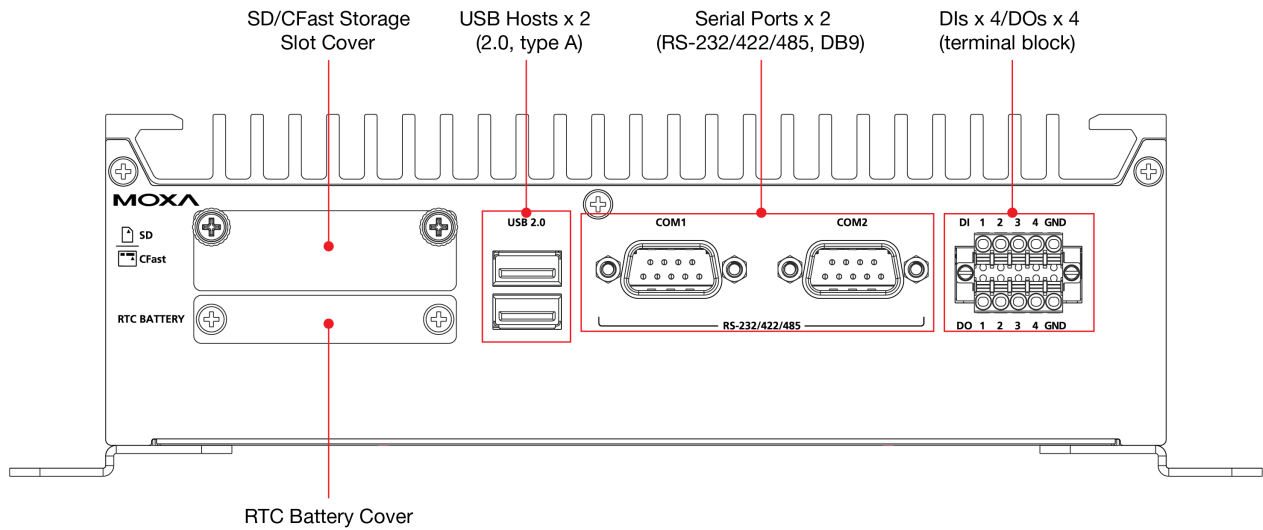
BXP-C100-C1-8L-T/C5-8L-T/C7-8L-T 型號



BXP-C100-C1-8C-T/C5-8C-T/C7-8C-T 型號



BXP-C100-C1-2L3C-T/C5-2L3C-T/C7-2L3C-T 型號



規格

Computer

CPU	<p>BXP-C100-C1 Models: Intel® Celeron® 6305E processor (Dual core, 4M cache, 1.80 GHz)</p> <p>BXP-C100-C5 Models: Intel® Core™ i5-1145G7E processor (Quad core, 8M cache, 2.60 GHz, Base:1.50 GHz)</p> <p>BXP-C100-C7 Models: Intel® Core™ i7-1185G7E processor (Quad core, 12M cache, 2.80 GHz, Base:1.80 GHz)</p>
System Memory Slot	SODIMM DDR4 slots x 1, up to 32 GB max.
System Memory Pre-installed	8 GB DDR4
Storage Slot	CFast slot x 1 (SATAIII interface) SD slots x 1, SD 3.0 interface (SDHC/SDXC)
Storage Pre-installed	BXP-C100-C1-T-Win10/C5-T-Win10/C7-T-Win10: 64 GB CFast card
Supported OS	<p>Windows Images and Drivers Supported:</p> <ul style="list-style-type: none"> - Windows 10 IoT Enterprise LTSC 2021 64-bit - Windows 11 Professional 64-bit <p>Linux Drivers Supported:</p> <ul style="list-style-type: none"> - Debian 11 (kernel 5.10) - Ubuntu 22.04 LTS (kernel 5.15) - RHEL 9 (kernel 5.14)
Graphics Controller	Intel® UHD Graphics

Computer Interface

Ethernet Ports	<p>BXP-C100-C1-8L-T/C5-8L-T/C7-8L-T: Auto-sensing 10/100/1000 Mbps ports (RJ45 connector) x 10</p> <p>BXP-C100-C1-2L3C-T/C5-2L3C-T/C7-2L3C-T: Auto-sensing 10/100/1000 Mbps ports (RJ45 connector) x 4</p> <p>All Other Models: Auto-sensing 10/100/1000 Mbps ports (RJ45 connector) x 2</p>
Serial Ports	<p>BXP-C100-C1-8C-T/C5-8C-T/C7-8C-T: RS-232/422/485 ports x 10, software selectable (DB9 male) x 4</p> <p>BXP-C100-C1-2L3C-T/C5-2L3C-T/C7-2L3C-T: RS-232/422/485 ports x 10, software selectable (DB9 male) x 4</p>

	RS-232/422/485 ports x 5, software selectable (DB9 male) x 5 All Other Models: RS-232/422/485 ports x 2, software selectable (DB9 male) x 2
USB 3.0	USB 3.0 hosts x 2, type-A connectors
USB 2.0	USB 2.0 hosts x 4, type-A connectors
Digital Input	DIs x 4
Digital Output	DOs x 4
TPM	TPM v2.0
Video Output	HDMI 2.0b x 1, (type A connector) VGA x 1, 15-pin D-sub connector (female)
Buttons	Reset button Power button

Ethernet Interface

Magnetic Isolation Protection	1.5 kV (built-in)
-------------------------------	-------------------

Serial Interface

Baudrate	50 bps to 115.2 kbps
Connector	DB9 male
Data Bits	5, 6, 7, 8
Parity	None, Even, Odd, Space, Mark
Stop Bits	1, 1.5, 2
Flow Control	RTS/CTS, XON/XOFF

Serial Signals

RS-232	TxD, RxD, RTS, CTS, DTR, DSR, DCD, GND
RS-422	Tx+, Tx-, Rx+, Rx-, GND
RS-485-2w	Data+, Data-, GND
RS-485-4w	Tx+, Tx-, Rx+, Rx-, GND

Digital Inputs

Connector	Spring-type Euroblock terminal
Sensor Type	Dry contact
Dry Contact	Logic 0: Close to GND Logic 1: Open
Voltage	0 to 24 VDC

Digital Outputs

Connector	Spring-type Euroblock terminal
I/O Type	Sink
Current Rating	200 mA per channel
Voltage	0 to 24 VDC

LED Indicators

System	Power x 1 Storage x 1
LAN	2 per port (10/100/1000 Mbps)

Power Parameters

Input Voltage	12/24 VDC
Power Connector	Screw-fastened Euroblock terminal
Power Consumption	90 W

Physical Characteristics

Housing	Metal
IP Rating	IP20
Dimensions	BXP-C100-C1-T/C5-T/C7-T/C1-T-Win10/C5-T-Win10/C7-T-Win10: 210 x 166 x 48 mm (8.27 x 6.54 x 1.9 in) BXP-C100-C1-8L-T/C5-8L-T/C7-8L-T/C1-2L3C-T/C5-2L3C-T/C7-2L3C-T: 210 x 166 x 65.5 mm (8.27 x 6.54 x 2.58 in) BXP-C100-C1-8C-T/C5-8C-T/C7-8C-T: 210 x 166 x 83 mm (8.27 x 6.54 x 3.27 in)
Weight	BXP-C100-C1-T/C5-T/C7-T/C1-T-Win10/C5-T-Win10/C7-T-Win10: 2,015 g (4.44 lb) BXP-C100-C1-8L-T/C5-8L-T/C7-8L-T: 2,355 g (5.19 lb) BXP-C100-C1-2L3C-T/C5-2L3C-T/C7-2L3C-T: 2,208 g (4.86 lb) BXP-C100-C1-8C-T/C5-8C-T/C7-8C-T: 2,385 g (5.25 lb)
Installation	Wall mounting (with optional kit)

Environmental Limits

Operating Temperature	-30 to 60°C (-22 to 140°F)
Storage Temperature	-40 to 75°C (-40 to 167°F)
Ambient Relative Humidity	5 to 95% (non-condensing)

Standards and Certifications

EMC	EN 55032/35
EMI	CISPR 32, FCC Part 15B Class A BSMI
EMS	IEC 61000-4-2 ESD: Contact: 4 kV; Air: 8 kV IEC 61000-4-3 RS: 80 MHz to 1 GHz: 3 V/m IEC 61000-4-4 EFT: Power: 0.5 kV; Signal: 0.5 kV IEC 61000-4-5 Surge: Power: 0.5 kV, Signal: 1 kV IEC 61000-4-6 CS: 3 V IEC 61000-4-8 PFMF: 1 A/m at 50 to 60 Hz
Safety	UL 62368-1 (CB) BSMI
Shock	IEC 60068-2-27
Vibration	IEC 60068-2-64
Package Drop Test	ISTA 1A
Package Vibration Test	ISTA 1A

Declaration

Green Product	RoHS, CRoHS, WEEE
---------------	-------------------

Reliability

Alert Tools	Built-in RTC (real-time clock) with lithium battery backup
Automatic Reboot Trigger	Built-in WDT

MTBF

Time	490,983 hrs
Standards	Telcordia (Bellcore), GB

Warranty

Warranty Period	3 years
Details	See www.moxa.com/tw/warranty

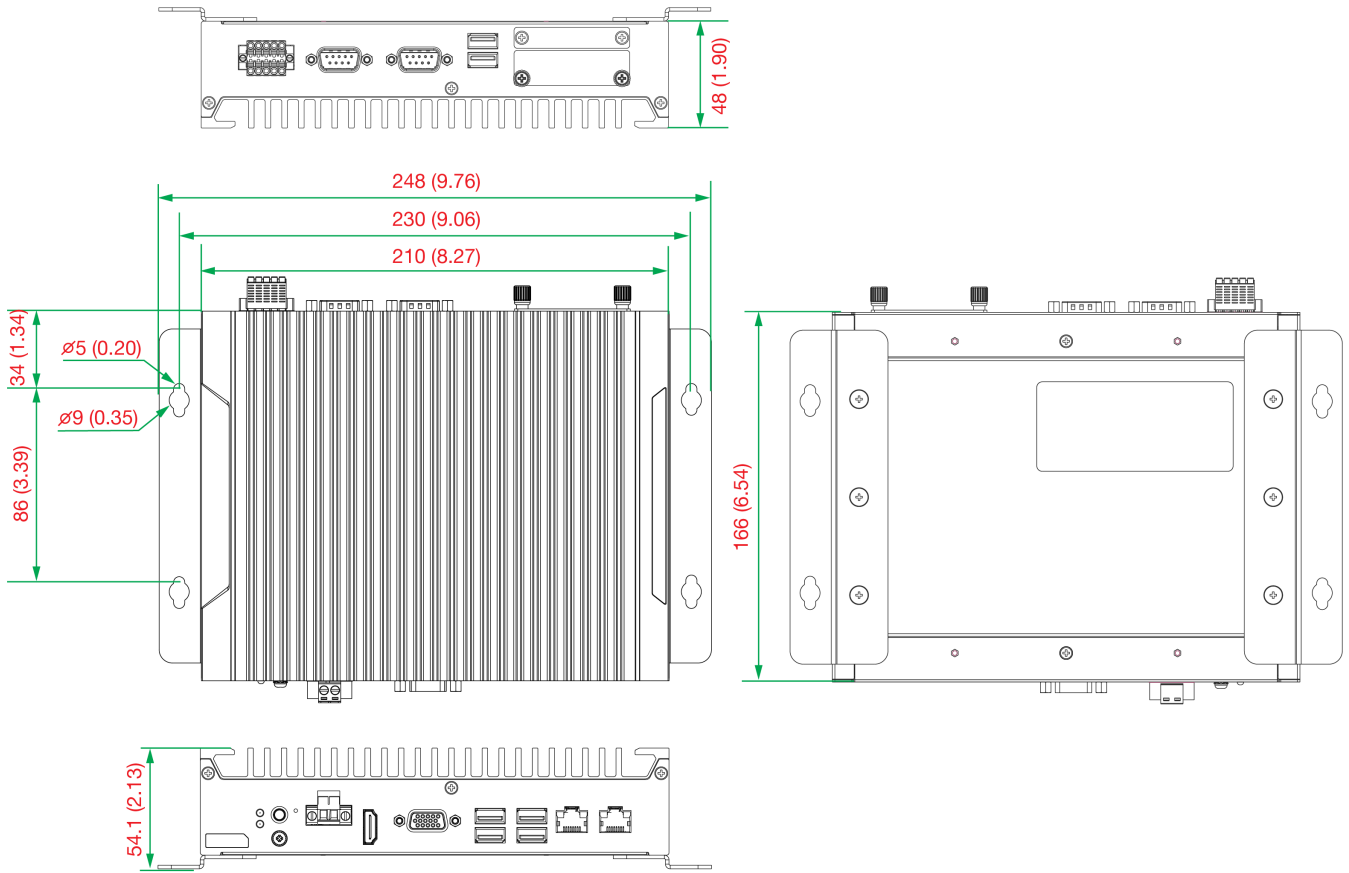
Package Contents

Device	1 x BXP-C100 Series computer
Installation Kit	1 x terminal block, 2-pin, for DC power 1 x terminal block, 10-pin, for DIs/DOs 1 x wall-mounting kit (2 mounting ears, 6 screws)
Documentation	1 x quick installation guide 1 x warranty card

尺寸

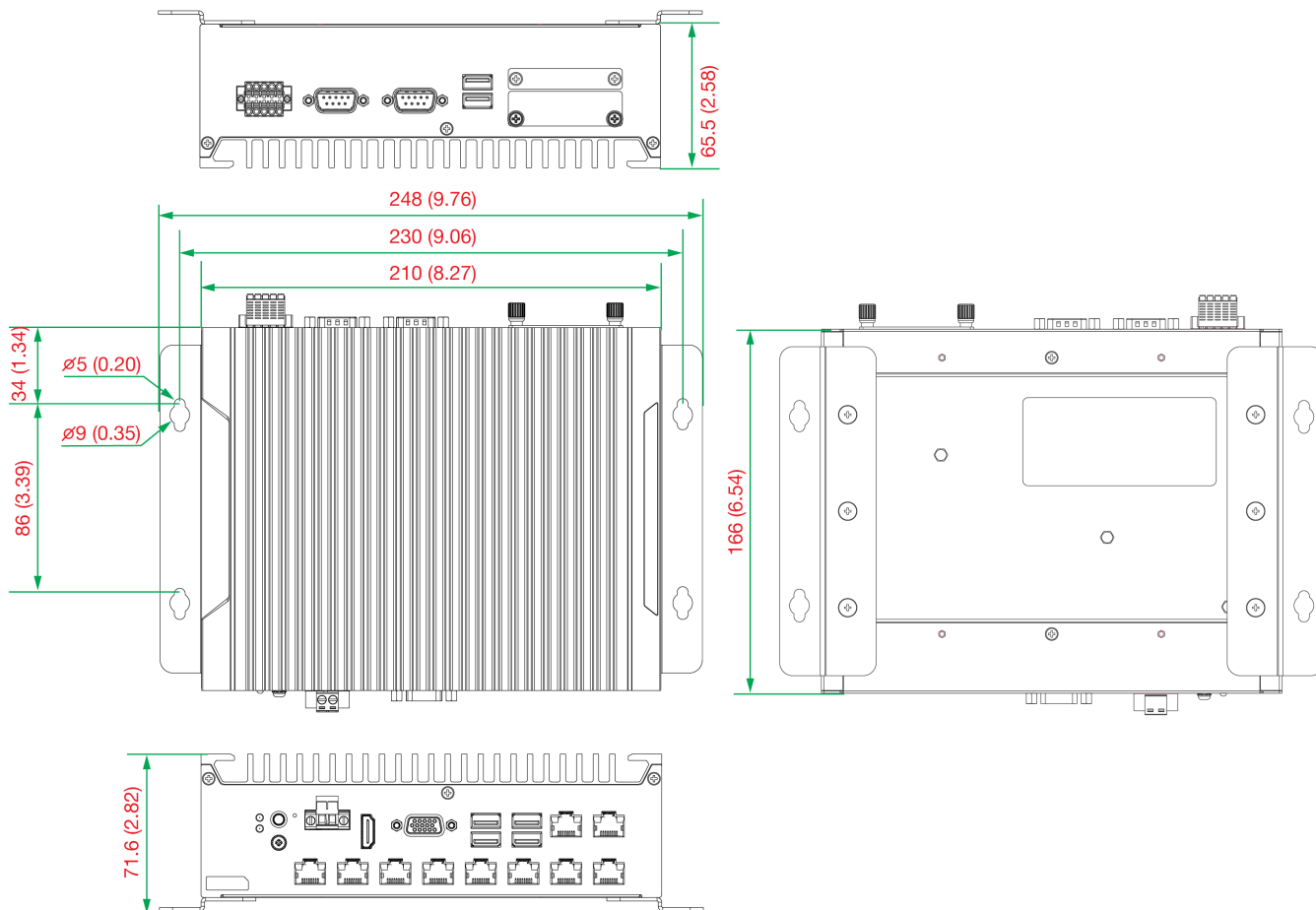
BXP-C100-C1-T/C5-T/C7-T/C1-T-Win10/C5-T-Win10/C7-T-Win10 型號

單位：公釐 (英吋)



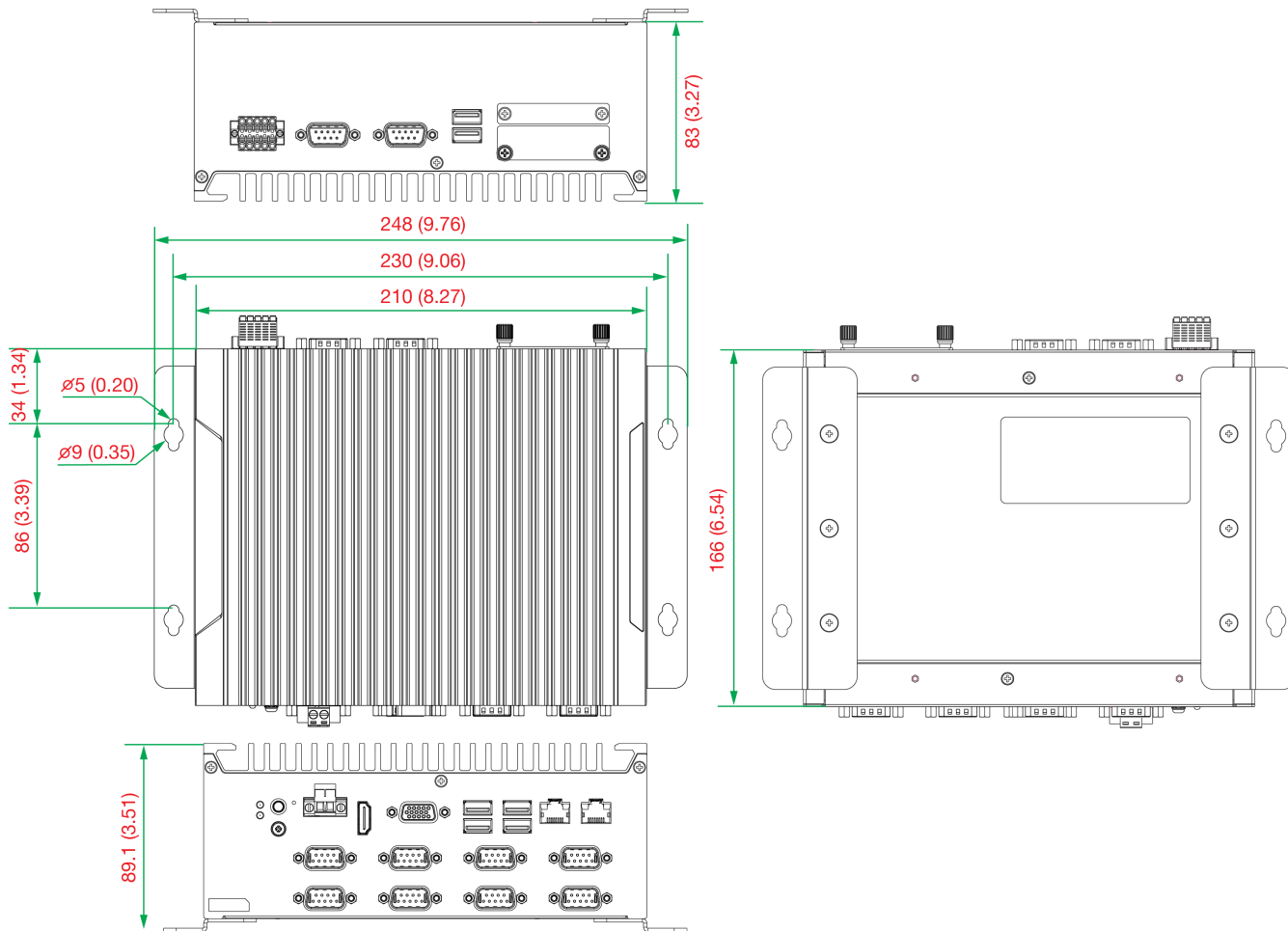
BXP-C100-C1-8L-T/C5-8L-T/C7-8L-T 型號

單位：公釐 (英吋)



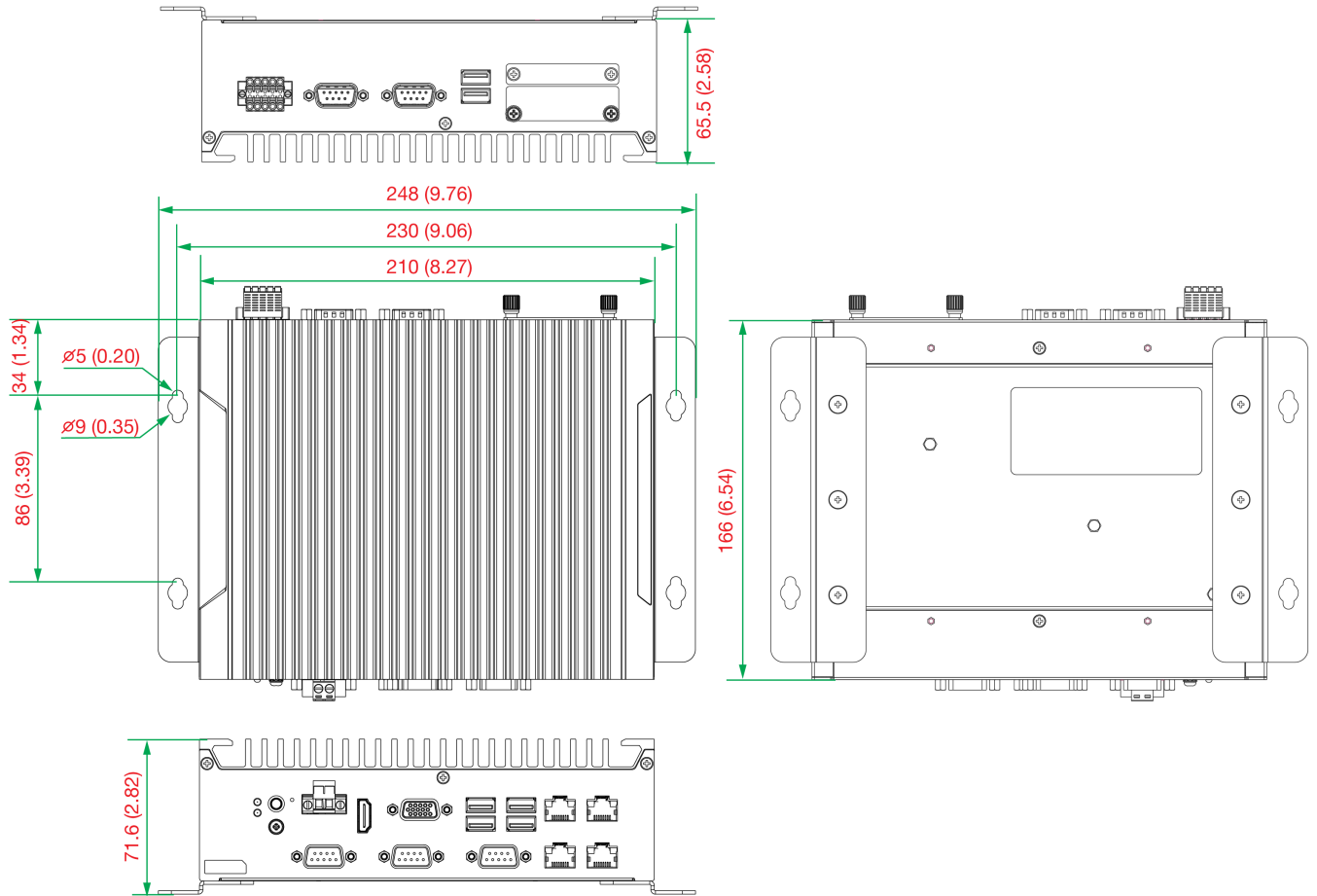
BXP-C100-C1-8C-T/C5-8C-T/C7-8C-T 型號

單位：公釐 (英吋)



BXP-C100-C1-2L3C-T/C5-2L3C-T/C7-2L3C-T 型號

單位：公釐 (英寸)



訂購資訊

Model Name	CPU	RAM	Storage Slots	OS Preinstalled	LAN/Serial Ports	USB 2.0/USB 3.0 Ports	DIs/DOs	Video Outputs	Power Input
BXP-C100-C1-T	Intel® Celeron® 6305E	8 GB	1 x CFast 1 x SD	-	2/2	4/2	4 x DIs 4 x DOs	1 x VGA 1 x HDMI	12/24 VDC
BXP-C100-C1-T-Win10	Intel® Celeron® 6305E	8 GB	1 x CFast 1 x SD	Win 10 LTSC (64 GB CFast)	2/2	4/2	4 x DIs 4 x DOs	1 x VGA 1 x HDMI	12/24 VDC
BXP-C100-C1-8L-T	Intel® Celeron® 6305E	8 GB	1 x CFast 1 x SD	-	10/2	4/2	4 x DIs 4 x DOs	1 x VGA 1 x HDMI	12/24 VDC
BXP-C100-C1-8C-T	Intel® Celeron® 6305E	8 GB	1 x CFast 1 x SD	-	2/10	4/2	4 x DIs 4 x DOs	1 x VGA 1 x HDMI	12/24 VDC
BXP-C100-C1-2L3C-T	Intel® Celeron® 6305E	8 GB	1 x CFast 1 x SD	-	4/5	4/2	4 x DIs 4 x DOs	1 x VGA 1 x HDMI	12/24 VDC
BXP-C100-C5-T	Intel® Core® i5-1145G7E	8 GB	1 x CFast 1 x SD	-	2/2	4/2	4 x DIs 4 x DOs	1 x VGA 1 x HDMI	12/24 VDC
BXP-C100-C5-T-Win10	Intel® Core® i5-1145G7E	8 GB	1 x CFast 1 x SD	Win 10 LTSC (64 GB CFast)	2/2	4/2	4 x DIs 4 x DOs	1 x VGA 1 x HDMI	12/24 VDC

Model Name	CPU	RAM	Storage Slots	OS Preinstalled	LAN/Serial Ports	USB 2.0/USB 3.0 Ports	DIs/DOs	Video Outputs	Power Input
BXP-C100-C5-8L-T	Intel® Core® i5-1145G7E	8 GB	1 x CFast 1 x SD	-	10/2	4/2	4 x DIs 4 x DOs	1 x VGA 1 x HDMI	12/24 VDC
BXP-C100-C5-8C-T	Intel® Core® i5-1145G7E	8 GB	1 x CFast 1 x SD	-	2/10	4/2	4 x DIs 4 x DOs	1 x VGA 1 x HDMI	12/24 VDC
BXP-C100-C5-2L3C-T	Intel® Core® i5-1145G7E	8 GB	1 x CFast 1 x SD	-	4/5	4/2	4 x DIs 4 x DOs	1 x VGA 1 x HDMI	12/24 VDC
BXP-C100-C7-T	Intel® Core® i7-1185G7E	8 GB	1 x CFast 1 x SD	-	2/2	4/2	4 x DIs 4 x DOs	1 x VGA 1 x HDMI	12/24 VDC
BXP-C100-C7-T-Win10	Intel® Core® i7-1185G7E	8 GB	1 x CFast 1 x SD	(64 GB CFast)	2/2	4/2	4 x DIs 4 x DOs	1 x VGA 1 x HDMI	12/24 VDC
BXP-C100-C7-8L-T	Intel® Core® i7-1185G7E	8 GB	1 x CFast 1 x SD	-	10/2	4/2	4 x DIs 4 x DOs	1 x VGA 1 x HDMI	12/24 VDC
BXP-C100-C7-8C-T	Intel® Core® i7-1185G7E	8 GB	1 x CFast 1 x SD	-	2/10	4/2	4 x DIs 4 x DOs	1 x VGA 1 x HDMI	12/24 VDC
BXP-C100-C7-2L3C-T	Intel® Core® i7-1185G7E	8 GB	1 x CFast 1 x SD	-	4/5	4/2	4 x DIs 4 x DOs	1 x VGA 1 x HDMI	12/24 VDC

© Moxa Inc. 版權所有.2023 年 11 月 1 日更新。

未經 Moxa Inc. 明確書面許可，不得以任何方式複製或使用本文件及其任何部分。產品規格如有變更，恕不另行通知。請至本公司官網了解最新的產品資訊。