

UC-2100-W 系列

Arm Cortex-A8 1 GHz 掌上型 IIoT 閘道器，內建 LTE Cat.M1/NB-IoT 模組



特色與優點

- Armv7 Cortex-A8 1000 Mhz 處理器
- 整合式 LTE NB-IoT/Cat.M1 模組，支援全球波段
- LTE 規格電腦，獲得 Verizon/AT&T 認證以及工業級 CE/FCC/UL 認證
- 雙 SIM 插槽
- Moxa 工業 Linux，提供 10 年長期支援
- 雙自動感應乙太網路連接埠 (10/100 Mbps 和 10/100/1000 Mbps)
- 支援工業級 CAN 2.0 A/B 通訊協定的雙 CAN 連接埠
- 具有 microSD 插槽，可擴充儲存空間
- 配備可程式 LED 以及可程式按鈕，讓您輕鬆地完成安裝與維護
- -40°C 至 75°C 操作溫度範圍

認證



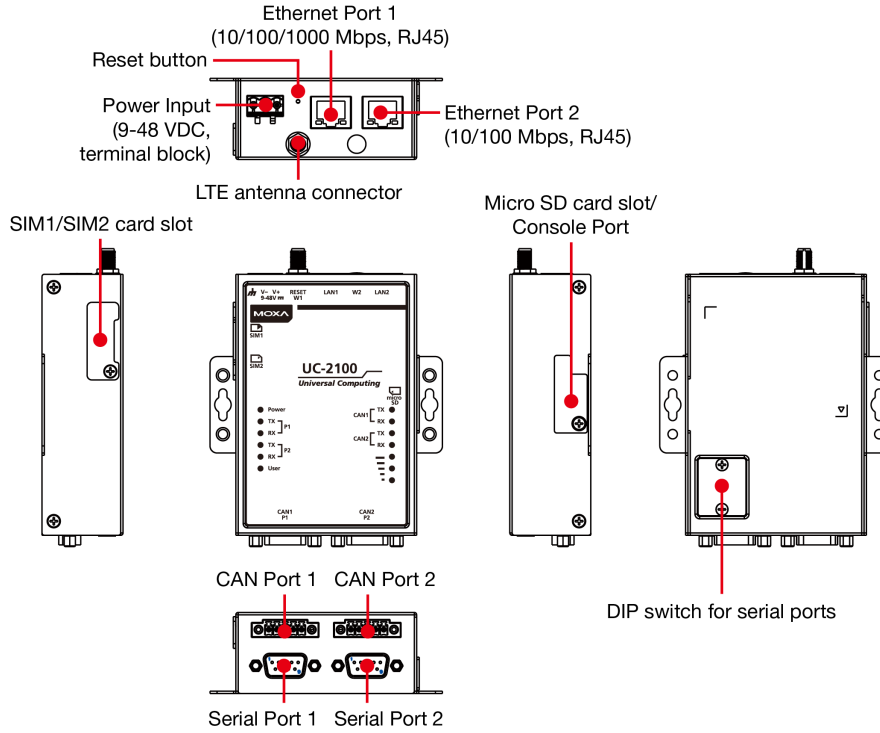
簡介

UC-2100-W 系列運算平台專為嵌入式資料擷取和處理應用而設計。電腦配備多達 2 個可透過軟體選擇的 RS-232/422/485 全訊號串列連接埠和單或雙 LAN 連接埠。這款以 Arm 為基礎的掌上型運算平台系列包括多種型號，可滿足各種介面要求，例如串列和 LAN 連接埠以及無線連線。這些多樣化的通訊功能可供使用者有效地將 UC-2100-W 系列應用在各類複雜的通訊解決方案。

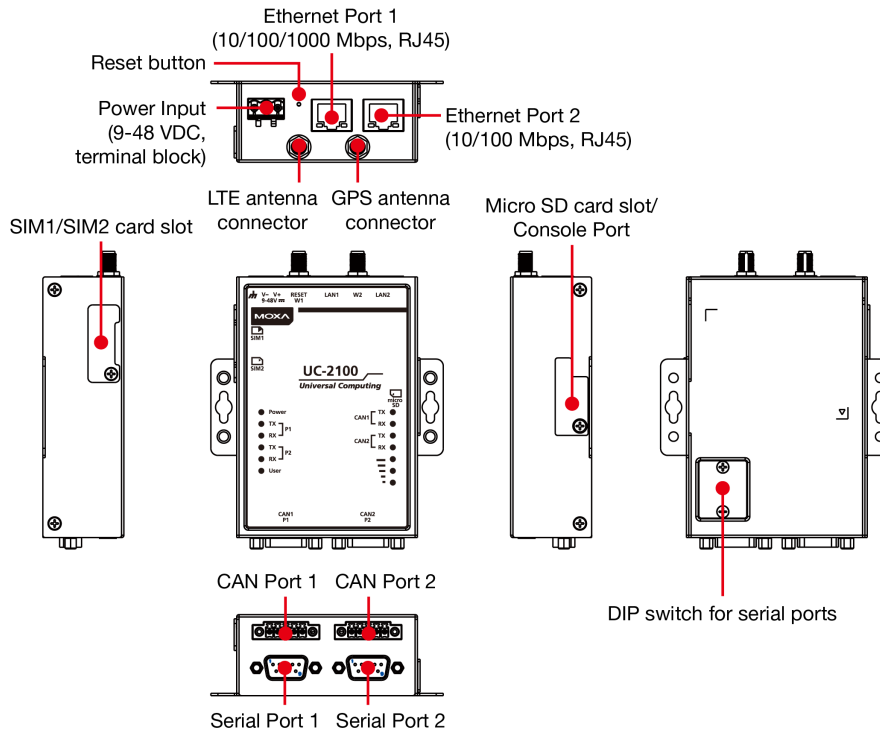
UC-2100-W 系列內建以 Cortex-A8 Arm 為基礎的處理器，針對各種工業解決方案進行了優化。這款小型的嵌入式電腦具備彈性的介面選項，是可靠且安全的閘道器，可協助您在現場進行資料擷取並進行處理，同時也是適用於其他許多大規模部署的實用通訊平台。為寬溫度應用設計的型號，適合極端環境應用，例如石油和天然氣產業的應用。此外，所有型號均使用 Moxa 的工業級 Linux 平台，該平台提供優化的軟體功能和長期支援。

外觀

UC-2114



UC-2116



規格

Computer

CPU	Arm7 Cortex-A8 1 GHz
DRAM	512 MB DDR3

Storage Pre-installed	8 GB eMMC
Pre-installed OS	Moxa Industrial Linux (Debian 9, Kernel 4.4) See www.moxa.com/MIL

Computer Interface

Storage Slot	Micro SD Slot x 1
Ethernet Ports	Auto-sensing 10/100 Mbps ports (RJ45 connector) x 1 Auto-sensing 10/100/1000 Mbps ports (RJ45 connector) x 1
Serial Ports	RS-232/422/485 ports x 2, software selectable (DB9 male)
CAN Ports	CAN 2.0 A/B x 2 (5-pin terminal block)
Cellular Antenna Connector	SMA x 1
GPS Antenna Connector	UC-2116-T-LX: SMA x 1
Number of SIMs	2
SIM Format	Nano
Console Port	RS-232 (TxD, RxD, GND), 4-pin header output (115200, n, 8, 1)
Buttons	Reset button

Ethernet Interface

Magnetic Isolation Protection	1.5 kV (built-in)
-------------------------------	-------------------

Serial Interface

Baudrate	50 bps to 921.6 kbps
Data Bits	5, 6, 7, 8
Stop Bits	1, 1.5, 2
Parity	None, Even, Odd, Space, Mark
Pull High/Low Resistor for RS-485	1 kilo-ohm, 150 kilo-ohms
ESD Protection	4 kV, for all signals
Flow Control	RTS/CTS, XON/XOFF, ADDC® (automatic data direction control) for RS-485, RTS Toggle (RS-232 only)

Serial Signals

RS-232	TxD, RxD, RTS, CTS, DTR, DSR, DCD, GND
RS-422	Tx+, Tx-, Rx+, Rx-, GND
RS-485-2w	Data+, Data-, GND
RS-485-4w	Tx+, Tx-, Rx+, Rx-, GND

CAN Interface

Industrial Protocols	CAN 2.0A, CAN 2.0B
Baudrate	10 to 1000 kbps
Isolation	2 kV (built-in)
Signals	GND, CAN_L, CAN_SHLD, CAN_H, CAN_V+

Cellular Interface

Band Options	LTE Bands: Band 1 (2100 MHz) / Band 2 (1900 MHz) / Band 3 (1800 MHz) / Band 4 (1700 MHz) / Band 5 (850 MHz) / Band 8 (900 MHz) / Band 12 (700 MHz) / Band 13 (700 MHz) / Band 18 (850 MHz) / Band 19 (850 MHz) / Band 20 (800 MHz) / Band 25 (1900 MHz) / Band 26 (850 MHz) / Band 28 (700 MHz) Carrier Approval: Verizon, AT&T
--------------	--

LED Indicators

System	Power x 1 Programmable x 1
LAN	2 per port (10/100 Mbps)
Serial	2 per port (Tx, Rx)
Wireless Signal Strength	3
CAN	2 per port (Tx, Rx)

Power Parameters

Input Voltage	9 to 48 VDC
Power Consumption	5.8 W
Input Current	0.6 A @ 9 VDC, 0.12 A @ 48 VDC

Reliability

Alert Tools	External RTC (real-time clock)
Automatic Reboot Trigger	External WDT (watchdog timer)

Physical Characteristics

Housing	Metal
Dimensions (with ears)	111 x 99 x 34.5 mm (4.37 x 3.90 x 1.36 in)
Weight	396 g (0.87 lb)
Installation	Wall-mounting, DIN-rail mounting (with optional kit)

Environmental Limits

Operating Temperature	-40 to 75°C (-40 to 167°F)
Storage Temperature (package included)	-40 to 85°C (-40 to 185°F)
Ambient Relative Humidity	5 to 95% (non-condensing)

Standards and Certifications

Safety	EN 62368-1, IEC 62368-1, UL 62368-1
EMC	EN 55032/24
EMI	CISPR 32, FCC Part 15B Class A
EMS	IEC 61000-4-2 ESD: Contact: 4 kV; Air: 8 kV IEC 61000-4-3 RS: 80 MHz to 1 GHz: 3 V/m IEC 61000-4-4 EFT: Power: 1 kV; Signal: 0.5 kV IEC 61000-4-5 Surge: Power: 0.5 kV; Signal: 1 kV IEC 61000-4-6 CS: 3 V IEC 61000-4-8 PFMF
Shock	IEC 60068-2-27

Vibration	2 Grms @ IEC 60068-2-64, random wave, 5-500 Hz, 1 hr per axis (without any USB devices attached)
Hazardous Locations	Class I Division 2, ATEX
Carrier Approvals	Verizon AT&T
Green Product	RoHS, CRoHS, WEEE

MTBF

Time	UC-2114-T-LX: 533,149 hrs UC-2116-T-LX: 496,650 hrs
Standards	Telcordia (Bellcore) Standard

Warranty

Warranty Period	5 years
Details	See www.moxa.com/tw/warranty

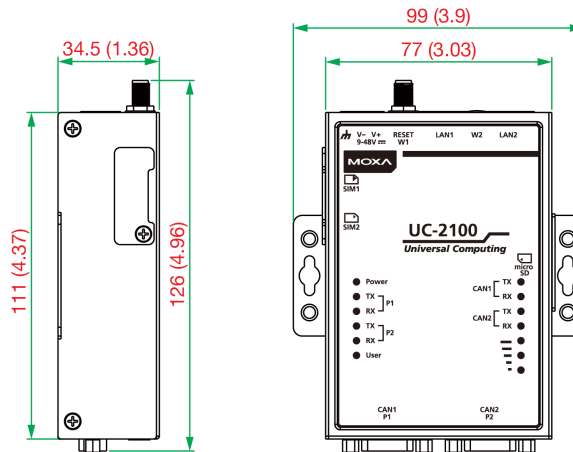
Package Contents

Device	1 x UC-2100-W Series computer
Installation Kit	1 x power jack
Cable	1 x console cable
Documentation	1 x quick installation guide 1 x warranty card

尺寸

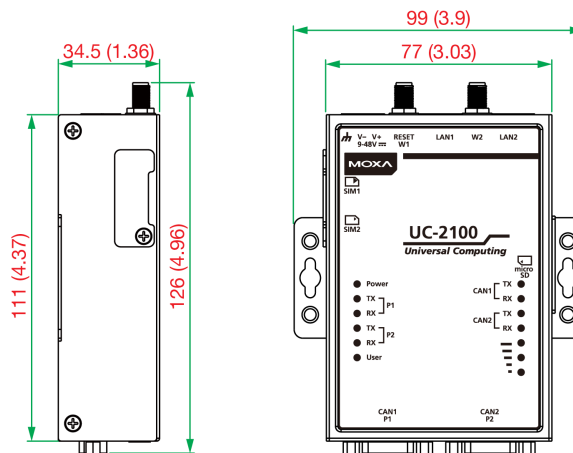
UC-2114

Unit: mm (inch)



UC-2116

Unit: mm (inch)



訂購資訊

Model Name	CPU	RAM	Storage	Serial	Ethernet	CAN	Cellular	GPS	Operating Temp.
UC-2114-T-LX	1000 MHz	512 MB	8 GB	2	2 (1 Giga LAN)	2	NB-IoT/Cat. M1	-	-40 to 75°C
UC-2116-T-LX	1000 MHz	512 MB	8 GB	2	2 (1 Giga LAN)	2	NB-IoT/Cat. M1	Yes	-40 to 75°C

配件 (選購)

Power Adapters

PWR-24270-DT-S1	Power adapter, input voltage 90 to 264 VAC, output voltage 24 V with 2.5 A DC load
-----------------	--

Power Cords

PWC-C7US-2B-183	Power cord with United States (US) plug, 10A/125V, 1.83 m
PWC-C7EU-2B-183	Power cord with Continental Europe (EU) plug, 2.5A/250V, 1.83 m
PWC-C7UK-2B-183	Power cord with United Kingdom (UK) plug, 2.5A/250V, 1.83 m
PWC-C7AU-2B-183	Power cord with Australian (AU) plug, 2.5A/250V, 1.83 m
PWC-C7CN-2B-183	Power cord with three-prong China (CN) plug, 2.5A/250V, 1.83 m

Cables

CBL-F9DPF1x4-BK-100	Console cable with 4-pin connector, 1 m
---------------------	---

Antennas

ANT-LTEUS-ASM-01	GSM/GPRS/EDGE/UMTS/HSPA/LTE, omni-directional rubber duck antenna, 1 dBi
ANT-LTE-OSM-03-3m BK	700-2700 MHz, multi-band antenna, specifically designed for 2G, 3G, and 4G applications, 3 m cable
ANT-LTE-ASM-04 BK	704-960/1710-2620 MHz, LTE omni-directional stick antenna, 4.5 dBi
ANT-LTE-OSM-06-3m BK MIMO	700-2700/2400-2500/5150-5850 MHz, multi-band antenna, 3 m cable
ANT-LTE-ASM-05 BK	704-960/1710-2620 MHz, LTE stick antenna, 5 dBi

DIN-Rail Mounting Kits

DK35A	DIN-rail mounting kit, 35 mm
-------	------------------------------

© Moxa Inc. 版權所有.2020 年 12 月 23 日更新。

未經 Moxa Inc. 明確書面許可，不得以任何方式複製或使用本文件及其任何部分。產品規格如有變更，恕不另行通知。請至本公司官網了解最新的產品資訊。