

MC-1100 系列

Intel® Atom® E3800 DIN 導軌電腦，具有危險環境和 DNV GL 認證



特色與優點

- Intel Atom Quad 核心 E3845 處理器
- 雙儲存裝置 (SD 和 Cfast 插槽)
- 雙重獨立顯示器 (VGA + display port)
- 各種介面：2 個串列埠、4 個 Giga LAN、4 個 DI、4 個 DO、2 個 USB 2.0 連接埠
- 適用於 Wi-Fi、3G、LTE、GPS 的 Mini-PCIe 插槽
- 12 至 36 VDC，寬範圍隔離式電源輸入
- -40 至 70°C 系統操作溫度範圍
- Moxa Smart Recovery 公用程式，可讓系統自開機故障中復原 (僅 W7E)
- 符合海事級以及 ATEX、IECEX Zone 2 規範

認證



簡介

MC-1100 系列 DIN 導軌的可安裝、無風扇、x86 嵌入式電腦使用 Intel Atom® E3800 系列處理器，配備最可靠的 I/O 設計足以發揮最大連接性，並支援無線模組 (Wi-Fi/3G/LTE)，使得它們非常適合廣泛的通訊應用。

MC-1100 的操作溫度範圍較寬 (-40 到 75°C)，並符合 Safety/EMI/EMS 標準，因此成為適合嚴苛環境的智慧型運算和通訊解決方案，包括海事通訊、天然氣田和油田監控以及運輸等應用。

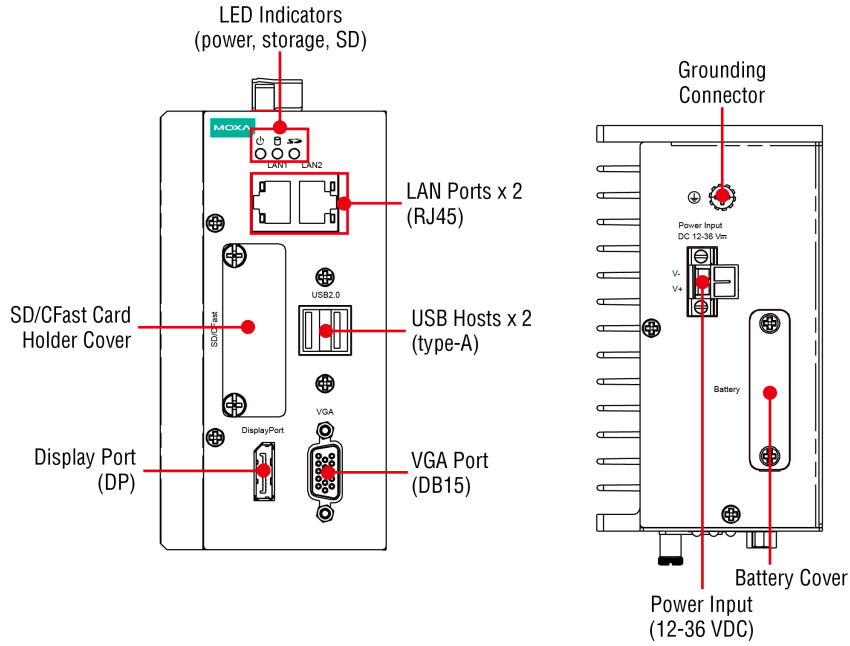
MC-1100 系列支援 Moxa 主動式監控工具，以提供裝置 I/O 狀態監控與警示、系統溫度監控與警示，以及系統電源管理。系統狀態的密切監控使其能夠較輕易地自錯誤復原，並且為您的應用程式提供最可靠的平台。

MC-1100 系列是 Microsoft Azure Certified for IoT。這可運用 Microsoft 參考配置，經測試可搭配 Microsoft Azure IoT 服務用於工業 IoT 應用。

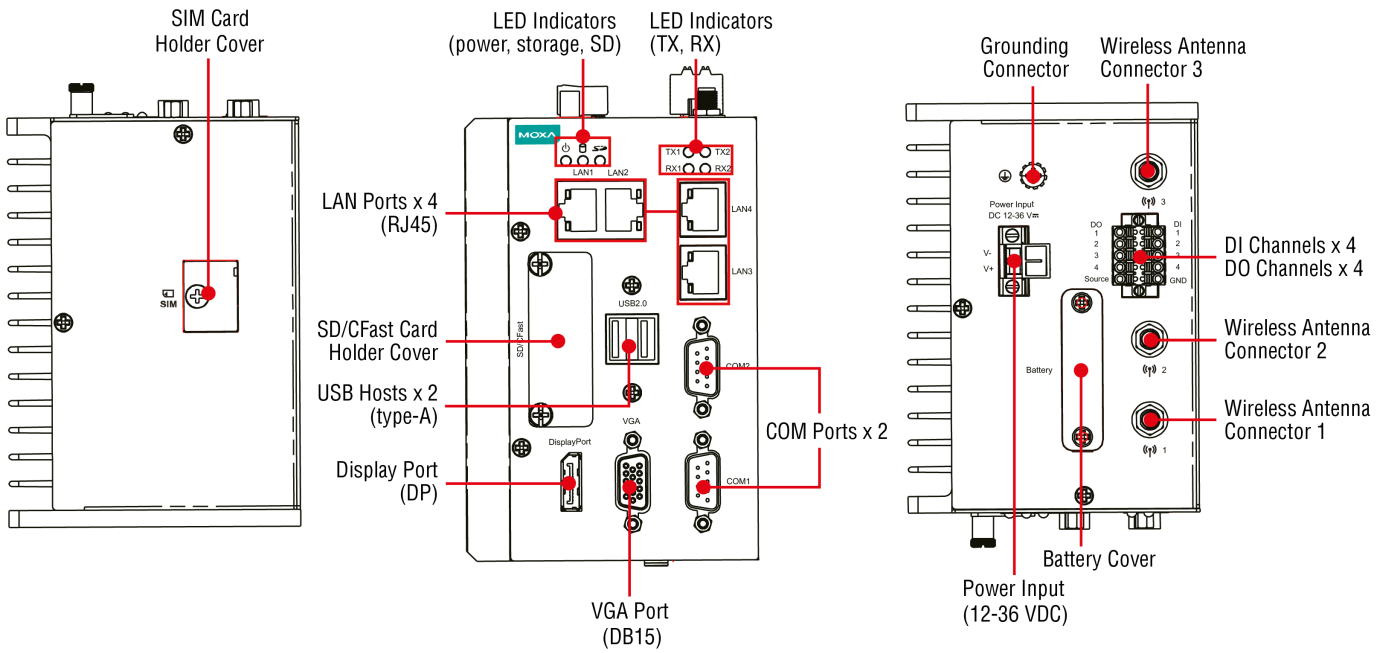
如需 Azure Certified for IoT 計畫的詳細資訊，請造訪：<https://catalog.azureiotsuite.com/>

Moxa 的 Azure Certified for IoT 產品的完整清單可透過以下網址取得：<https://catalog.azureiotsuite.com/?q=moxa>

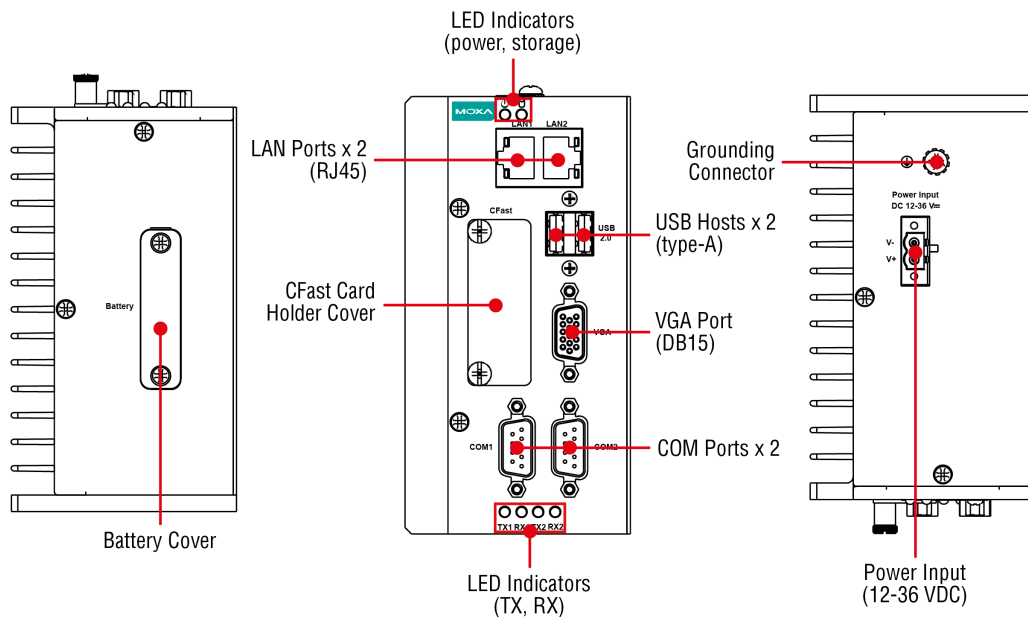
MC-1111



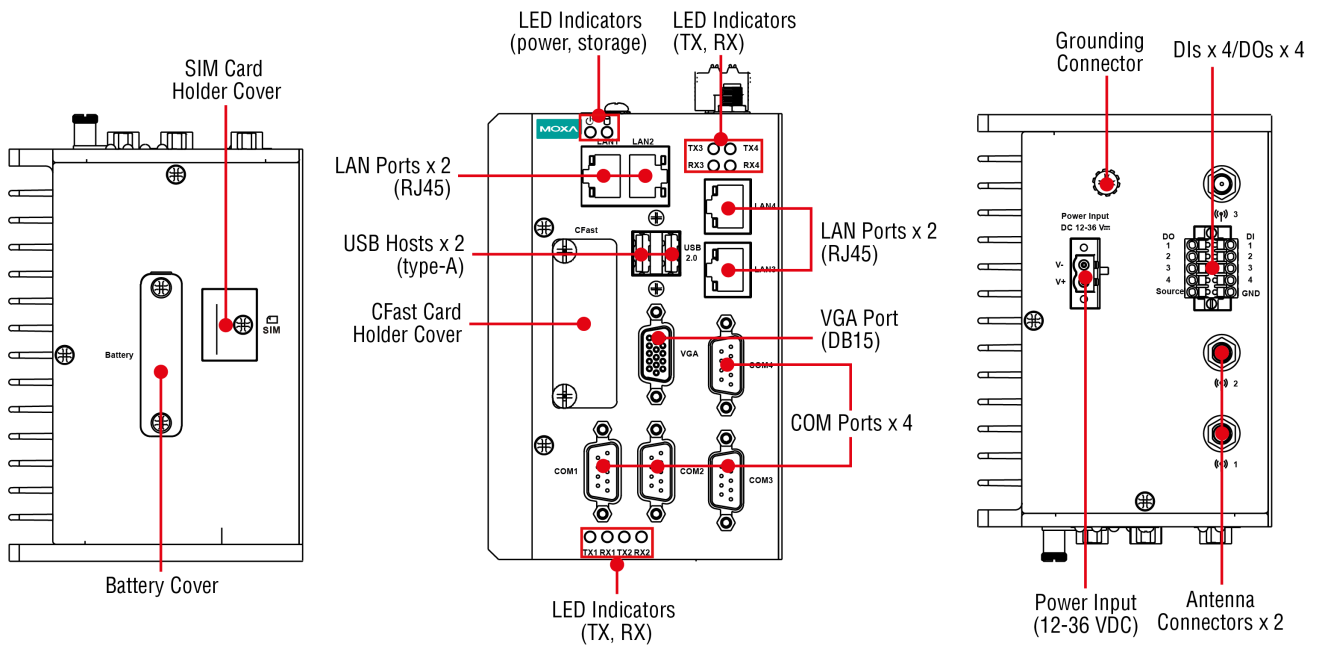
MC-1121



MC-1112



MC-1122



規格

Computer

CPU	MC-1100-E2-T Series: Intel Atom® Processor E3826 (1M Cache, 1.46 GHz) MC-1100-E4-T Series: Intel Atom® Processor E3845 (2M Cache, 1.91 GHz)
Graphics Controller	Intel® HD Graphics
System Memory Pre-installed	4 GB DDR3L
System Memory Slot	SODIMM DDR3/DDR3L slot x 1
Supported OS	Linux Debian 8 (Linux kernel v4.1) Windows Embedded Standard 7 (WS7E) 64-bit Windows 10 Embedded IOT Ent 2016 LTSB
Storage Slot	All models: CFast x 1 MC-1111/1121 Series: SD x 1

Computer Interface

Ethernet Ports	MC-1111/1112 Series: Auto-sensing 10/100/1000 Mbps ports (RJ45 connector) x 2 MC-1121/1122 Series: Auto-sensing 10/100/1000 Mbps ports (RJ45 connector) x 4
Serial Ports	MC-1121/1112 Series: RS-232/422/485 ports x 2, software-selectable (DB9 male) MC-1122 Series: RS-232/422/485 ports x 4, software-selectable (DB9 male)
USB 2.0	USB 2.0 hosts x 2, type-A connectors
Digital Input	MC-1121/1122 Series: DIs x 4
Digital Output	MC-1121/1122: DOs x 4
Expansion Slots	mPCIe slot x 1
TPM	TPM v1.2 (MC-1122-E4-TPM-T only)
Video Output	MC-1111/1121 Series: VGA x 1, DisplayPort x 1 All models: VGA x 1, 15-pin D-sub connector (female)
Number of SIMs	MC-1121/1122 Series: 1
SIM Format	MC-1121/1122 Series: Mini

LED Indicators

System	Power x 1 Storage x 1
LAN	2 per port (10/100/1000 Mbps)
Serial	2 per port (Tx, Rx)

Serial Interface

Baudrate	50 bps to 115.2 kbps
Connector	DB9 male
Data Bits	5, 6, 7, 8
Flow Control	ADDC® (automatic data direction control) for RS-485 RTS/CTS, XON/XOFF
Isolation	N/A
Parity	None, Even, Odd, Space, Mark

Power Parameters

Input Voltage	11.4 to 36 VDC
Power Connector	Terminal block (for DC models)
Power Consumption	30 W (max.)

Reliability

Automatic Reboot Trigger	Built-in WDT
--------------------------	--------------

Physical Characteristics

Housing	Metal
Dimensions	MC-1111/1112 Series: 132 x 122 x 68 mm (5.2 x 4.81 x 2.68 in) MC-1121/1122 Series: 132 x 122 x 87 mm (5.2 x 4.81 x 3.43 in)

Weight	MC-1111/1112 Series: 1,022 g (2.25 lb) MC-1121/1122 Series: 1,340 g (2.95 lb)
Installation	DIN-rail mounting Wall mounting (with optional kit)

Environmental Limits

Operating Temperature	-40 to 70°C (-40 to 158°F)
Storage Temperature (package included)	-45 to 75°C (-49 to 167°F)
Ambient Relative Humidity	5 to 95% (non-condensing)

Standards and Certifications

EMC	EN 55032/24
EMI	CISPR 32, FCC Part 15B Class A
EMS	IEC 61000-4-3 RS: 80 MHz to 1 GHz: 10 V/m IEC 61000-4-2 ESD: Contact: 6 kV; Air: 8 kV IEC 61000-4-8 PFMF IEC 61000-4-6 CS: 10 V IEC 61000-4-5 Surge: Power: 1 kV; Signal: 1 kV IEC 61000-4-4 EFT: Power: 2 kV; Signal: 1 kV
Hazardous Locations	ATEX Zone 2 Class I Division 2 IECEx Zone 2
Maritime	DNV-GL IEC 60945
Radio Frequency	FCC
Safety	UL 60950-1

Warranty

Warranty Period	3 years
Details	See www.moxa.com/tw/warranty

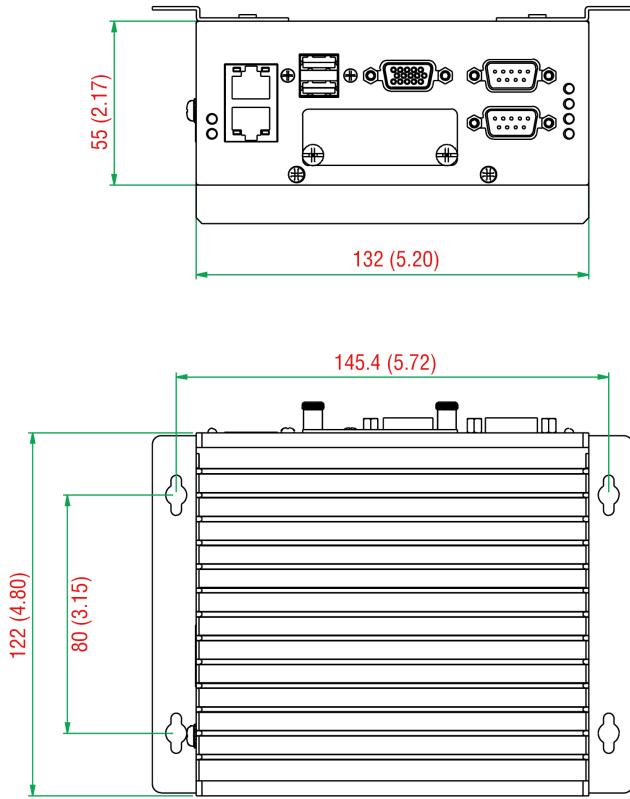
Package Contents

Device	1 x MC-1100 Series computer
Cable	1 x terminal block to power jack converter
Installation Kit	1 x terminal block, 2-pin 1 x DIN-rail kit
Documentation	1 x quick installation guide 1 x warranty card

尺寸

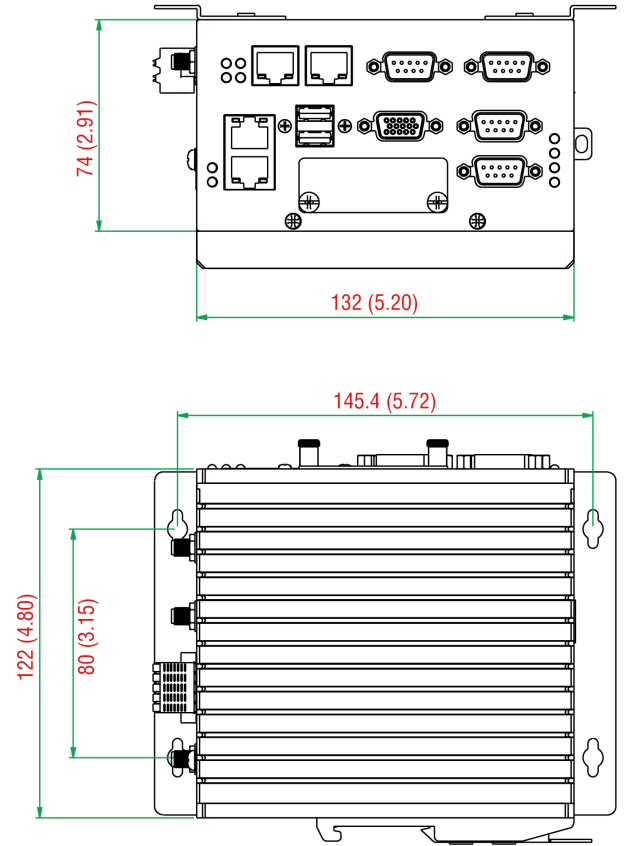
MC-1112

單位：公釐 (英吋)



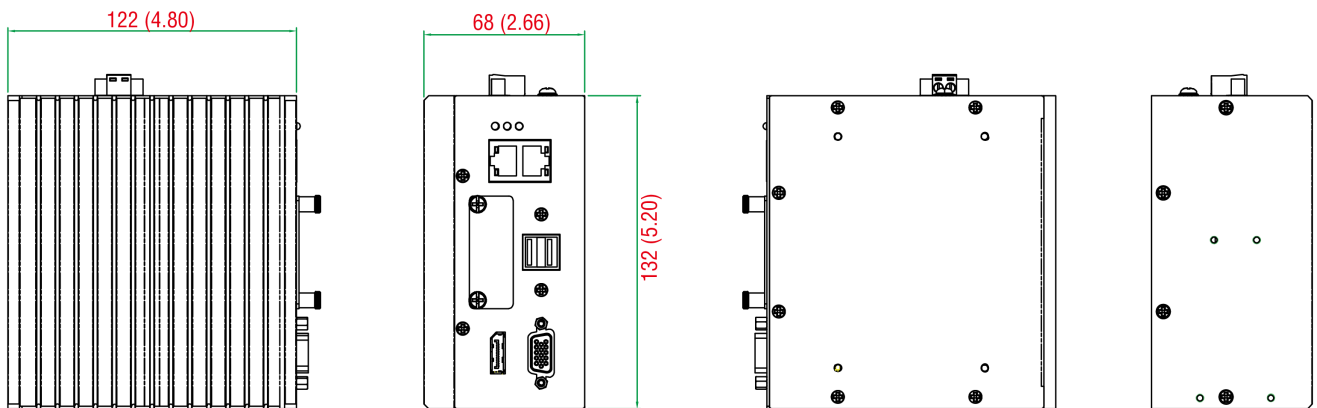
MC-1122

單位：公釐 (英吋)



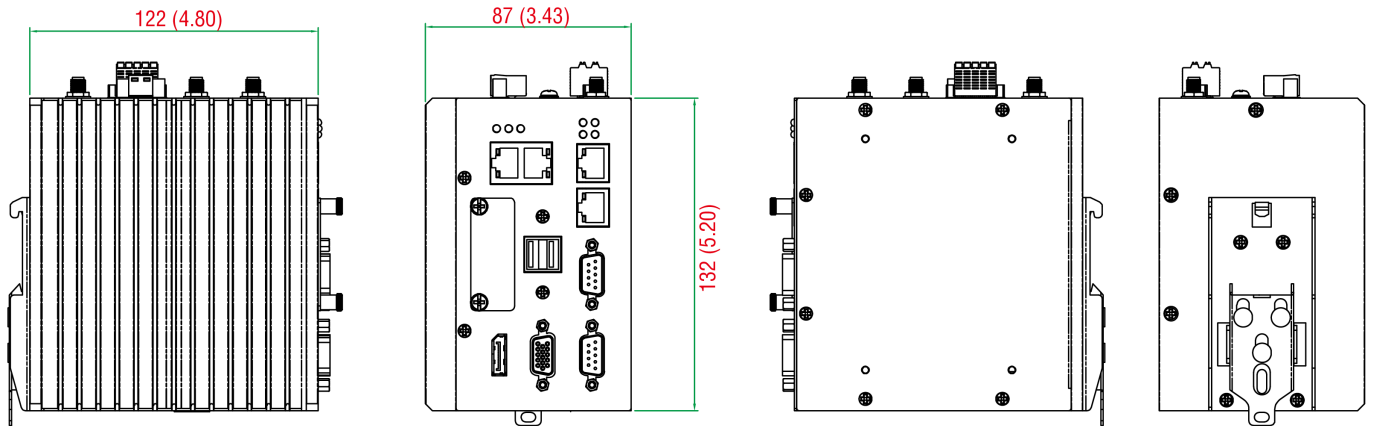
MC-1111

單位：公釐 (英吋)



MC-1121

單位：公釐（英吋）



訂購資訊

Model Name	CPU	RAM	Storage Slots	OS Preinstalled	LAN/Serial	USB 2.0	Video Outputs	Interface Expansion
MC-1111-E2-T	Intel Atom® E3826	4 GB	1 x CFast 1 x SD	-	2/-	2	1 x VGA 1 x DP	-
MC-1111-E4-T	Intel Atom® E3845	4 GB	1 x CFast 1 x SD	-	2/-	2	1 x VGA 1 x DP	-
MC-1121-E2-T	Intel Atom® E3826	4 GB	1 x CFast 1 x SD	-	4/2	2	1 x VGA 1 x DP	1 x mPCIe
MC-1121-E4-T	Intel Atom® E3845	4 GB	1 x CFast 1 x SD	-	4/2	2	1 x VGA 1 x DP	1 x mPCIe
MC-1121-E4-T-W7E	Intel Atom® E3845	4 GB	1 x CFast (32 GB preinstalled) 1 x SD	WS7E	4/2	2	1 x VGA 1 x DP	1 x mPCIe
MC-1112-E2-T	Intel Atom® E3826	4 GB	1 x CFast	-	2/2	2	1 x VGA	-
MC-1112-E4-T	Intel Atom® E3845	4 GB	1 x CFast	-	2/2	2	1 x VGA	-
MC-1122-E2-T	Intel Atom® E3826	4 GB	1 x CFast	-	4/4	2	1 x VGA	1 x mPCIe
MC-1122-E4-T	Intel Atom® E3845	4 GB	1 x CFast	-	4/4	2	1 x VGA	1 x mPCIe
MC-1122-E4-TPM-T	Intel Atom® E3845	4 GB	1 x CFast	-	4/4	2	1 x VGA	1 x mPCIe

配件（選購）

Cellular Wireless Modules

CELLULAR-LTE (L201)	LTE cellular module, with 2 mounting screws, for LTE (FDD) bands B2, B4, B5, B13 and B41 in the North American region
CELLULAR-LTE (L210)	LTE cellular module, with 2 mounting screws, for LTE (FDD) bands B1, B3, B5, B7, B8 and B20 in Europe and APAC regions

Wi-Fi Wireless Modules

Wi-Fi-BGN(252NI)	Wi-Fi module, 2 antennas with cable and connector, 2 black screws, 2 lock washers, 2 nuts, 1 thermal pad
------------------	--

DIN-Rail Mounting Kits

MC-1100 DIN-Rail Kit	DIN-rail mounting kit, 4 screws
----------------------	---------------------------------

Wall-Mounting Kits

MC-1100 Wallmount Kit	Wall-mounting kit, 4 screws
-----------------------	-----------------------------

Power Cords

PWC-C7AU-2B-183	Power cord with Australian (AU) plug, 2.5A/250V, 1.83 m
PWC-C7CN-2B-183	Power cord with two-prong China (CN) plug, 1.83 m
PWC-C7EU-2B-183	Power cord with Continental Europe (EU) plug, 2.5A/250V, 1.83 m
PWC-C7UK-2B-183	Power cord with United Kingdom (UK) plug, 2.5A/250V, 1.83 m
PWC-C7US-2B-183	Power cord with United States (US) plug, 10A/125V, 1.83 m

Power Adapters

PWR-24270-DT-S1	Power adapter, input voltage 90 to 264 VAC, output voltage 24 V with 2.5 A DC load
-----------------	--

© Moxa Inc. 版權所有.2020 年 1 月 31 日更新。

未經 Moxa Inc. 明確書面許可，不得以任何方式複製或使用本文件及其任何部分。產品規格如有變更，恕不另行通知。請至本公司官網了解最新的產品資訊。