

NPort Express DE-211 Hardware Installation Guide

For DE-211

Eighth Edition, May 2011

www.moxa.com/product

MOXA®

© 2011 Moxa Inc. All rights reserved.

NPort Express DE-211

Hardware Installation Guide

The software described in this manual is furnished under a license agreement and may be used only in accordance with the terms of that agreement.

Copyright Notice

© 2011 Moxa Inc. All rights reserved.

Trademarks

The MOXA logo is a registered trademark of Moxa Inc. All other trademarks or registered marks in this manual belong to their respective manufacturers.

Disclaimer

Information in this document is subject to change without notice and does not represent a commitment on the part of Moxa.

Moxa provides this document as is, without warranty of any kind, either expressed or implied, including, but not limited to, its particular purpose. Moxa reserves the right to make improvements and/or changes to this manual, or to the products and/or the programs described in this manual, at any time.

Information provided in this manual is intended to be accurate and reliable. However, Moxa assumes no responsibility for its use, or for any infringements on the rights of third parties that may result from its use.

This product might include unintentional technical or typographical errors. Changes are periodically made to the information herein to correct such errors, and these changes are incorporated into new editions of the publication.

Technical Support Contact Information

www.moxa.com/support

Moxa Americas

Toll-free: 1-888-669-2872
Tel: +1-714-528-6777
Fax: +1-714-528-6778

Moxa Europe

Tel: +49-89-3 70 03 99-0
Fax: +49-89-3 70 03 99-99

Moxa China (Shanghai office)

Toll-free: 800-820-5036
Tel: +86-21-5258-9955
Fax: +86-21-5258-5505

Moxa Asia-Pacific

Tel: +886-2-8919-1230
Fax: +886-2-8919-1231

Table of Contents

1. Introduction	6
Features	7
Product Specifications	8
Package Checklist.....	9
Front/Top/Rear/Bottom Panel Views	10
2. Overview	11
LED Indicators	12
Housing	13
DIN Rail.....	13
Wall Mount.....	14
3. Serial Installation	15
DIP Switch Settings.....	16
Female DB25 Connector Pinout	17
RS-232 Wiring	17
RS-422 Wiring	19
Using a DB25 Connector	19
Using the Optional Terminal Block.....	20
RS-485 Wiring	20
Using a DB25 Connector	20
Using the Optional Terminal Block.....	21
Enabling a Termination Resistor	23
Enabling the Built-In 120 Ω Terminator	23
Enabling a User-Supplied Terminator	24
4. Ethernet Installation	25
Connecting to the Ethernet Port	26
Connecting to a Hub or Switch	26
Connecting to a PC	26
5. Power Connection	27
Using the Power Adapter	28
Using Power Over Serial.....	28
Power Status Check.....	31
A. Return Procedure	32

1

Introduction

Welcome to Moxa NPort Express, a compact palm-sized communications device that allows you to control RS-232/422/485 serial devices over a TCP/IP Ethernet.

The following topics are covered in this chapter:

- ❑ **Features**
- ❑ **Product Specifications**
- ❑ **Package Checklist**
- ❑ **Front/Top/Rear/Bottom Panel Views**

NPort Express DE-211 provides a data communications solution for connecting Windows and Linux hosts to asynchronous serial devices over a TCP/IP Ethernet. You may connect your Windows host to a native RS-232/422/485 serial port, or your PC-based Linux host to a real tty port, through a TCP/IP Ethernet. With one asynchronous serial port connection on one end, and a 10 Mbps Ethernet connection on the other, NPort Express allows virtually any serial device to attach to a network. NPort Express works like an add-on single-port serial board to your PC server, but with one major advantage—the TCP/IP network. Since the host communicates with the COM port on NPort Express over a TCP/IP network, you are able to control your asynchronous serial device from virtually any location.

Although it connects through the virtual link of the Ethernet, the port on NPort Express is recognized as a real COM port by Windows or a real tty port by Linux. NPort Express provides both the basic transmit/receive data functions, as well as RTS, CTS, DTR, DSR, and DCD control signals. NPort Express can be used with your existing applications that support serial communication, and come with a utility program providing a simple step-by-step installation procedure and a maintenance wizard that gives you easy access to your asynchronous device.

Features

- 3-in-1 RS-232/422/485 interface and 10 Mbps Ethernet
- Supports 4- and 2-wire RS-485 with patented ADDC™ and built-in terminator
- Supports industrial 12/24 VDC power input and optional Power over Serial
- Terminal block accessory for easy RS-422/485 serial wiring
- Supports MAC based IP configuration
- Supports configuration store and copy for easy deployment
- Supports Windows Real COM driver and Linux real TTY driver
- Supports Driver Mode, TCP Server/Client, UDP Server/Client, Ethernet Modem, Pair Connection

Product Specifications

Interface
LAN: 10BaseT
Serial: RS-232/422/485 (DIP switch selectable)
Number of Ports: 1
Signals: RS-232: TxD, RxD, RTS, CTS,DTR, DSR, DCD, GND RS-422: TxD+/-, RxD+/-, GND RS-485 2-wire: Data+/-, GND RS-485 4-wire: TxD+/-, RxD+/-, GND
Performance
Speed: 150 bps to 230.4 Kbps
Configuration
Parity: None, Even, Odd, Space, Mark
Data Bits: 5, 6, 7, 8
Stop Bits: 1, 1.5, 2
OS Supported
Real COM drivers for: Windows 95/98/ME/NT/2000/XP/2003/Vista/2008/7/XP x64/2003 x64/Vista x64/2008 x64/7 x64 Real TTY driver for: Linux 2.4.x, 2.6.x kernel Fixed TTY drivers for: SCO Unix, SCO OpenServer 5,OpenServer 6, UnixWare 7, UnixWare 2.1, SVR4.2, QNX 4.25, QNX 6, Solaris 10, FreeBSD 5, FreeBSD 6
Operation Modes
Driver Mode, TCP Server, TCP Client, UDP Server/Client, Ethernet Modem, Pair Connection
Management
Serial console Telnet console NPort Configurator for Windows/Linux Real COM Installer for Windows Monitor Utility for Windows Firmware upgrade function supported
Power and Environment
Power requirements: DC 12V to 30V 150 mA (max.) at 12V 92 mA (max.) at 24
Operating temp.: 0 – 55°C
Operating humidity: 5 – 95% RH
Dimensions (WxDxH): 90 × 100.4 × 22 mm (with ears),

67 × 100.4 × 22 mm (without ears)
Surge protection: 15 KV ESD (RS-232), 12KV ESD (RS-422/485)
Magnetic isolation: 1.5 KV for Ethernet
Regulatory approvals: EMC: CE Class B, FCC Class B Safety: UL 60950-1, EN 60950-1

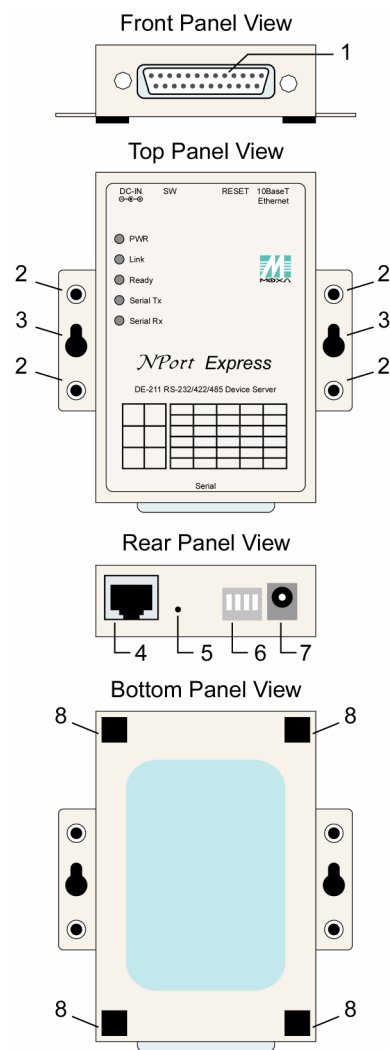
Package Checklist

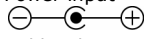
- 1 NPort Express DE-211
- Quick Installation Guide
- NPort Documentation & Software CD
- Product Warranty Booklet

Optional Accessories

NP21101	30 cm DB25 male to DB9 female RS-232 cable
NP21102	30 cm DB25 male to DB9 male RS-232 cable
NP21103	DB25 terminal block kit for RS-422/485
DK-35A	For 35 mm DIN Rail; includes 4 screws

Front/Top/Rear/Bottom Panel Views



1. Female DB25 serial port
2. DIN Rail screw holes
3. Wall mount screw holes
4. RJ45 10BaseT Ethernet port
5. Reset button—press continuously for
 - a. 3 sec to erase password
After 3 sec, the ready LED will flash on/off every half second. Release the reset button at this time to erase password.
 - b. 10 sec to load factory defaults
After 10 sec, the ready LED will flash on/off every fifth of a second. Release the reset button at this time to load factory defaults.
6. DIP Switches
7. Power input 
8. Rubber base pads

2

Overview

The following topics are covered in this chapter:

- **LED Indicators**
- **Housing**
 - DIN Rail
 - Wall Mount

LED Indicators

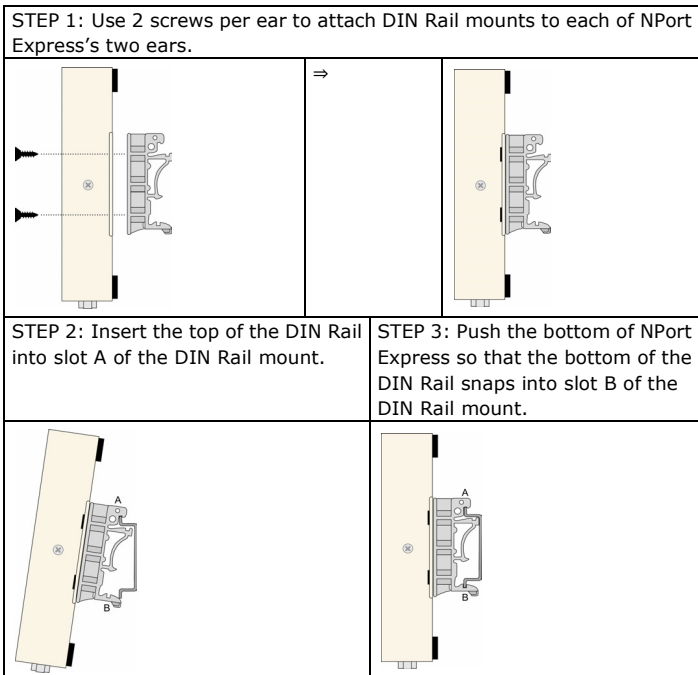
NPort Express's top panel contains five LED indicators, as described in the following table.

LED Name	LED Color	LED Function
PWR	red	Power is on.
	off	Power is off, or power error condition exists.
Link	orange	10 Mbps Ethernet connection.
	off	Ethernet cable is disconnected, or has a short.
Ready	green	NPort Server system is ready.
	blinking	NPort is requesting an IP address from the DHCP or BootP server. After receiving the IP, the LED will stop blinking. Note: The LED will also blink when you press the reset button; see page 1-5 for details.
	off	NPort Server has malfunctioned.
Serial Tx	green	Serial data is being transmitted.
	off	Serial data is not being transmitted.
Serial Rx	orange	Serial data is being received.
	off	Serial data is not being received.

Housing

DIN Rail

For many industrial applications, you will find it convenient to use the DIN Rail attachments, as shown below.



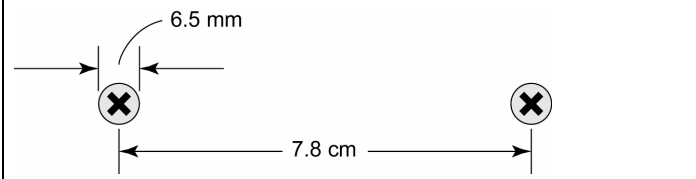
NOTE The Din Rail mounting kit is an optional accessory.

To remove NPort Express from the DIN Rail, simply reverse Steps 2 and 3 above by grasping the bottom of the NPort Express unit with both hands, and then using your fingers to pull down slightly on the DIN Rail mounts at slot B. This releases the bottom of the DIN Rail from the DIN Rail mount.

Wall Mount

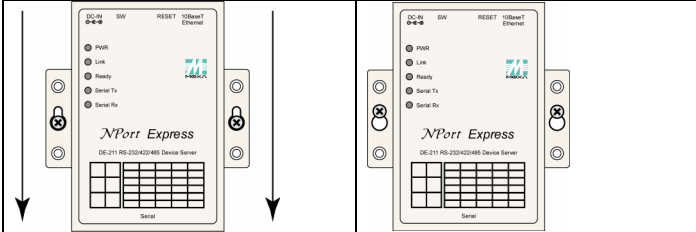
For many industrial applications, you will find it convenient to mount NPort Express on the wall, using two screws, as indicated below.

STEP 1: Screw two screws, separated by 7.8 cm, into the wall. The heads of the screws should be no greater than 6.5 mm in diameter, and the shafts should be no greater than 3 mm in diameter. Do not screw the screws in all the way—leave a space of about 2 mm to allow room for sliding the NPort Express unit's ears between the wall and the screws.



STEP 2: Insert the two screw heads through the large parts of the keyhole shaped apertures, and then slide NPort Express downwards, as indicated.

STEP 3: For added stability, simply tighten the two screws.



To remove NPort Express from the wall mount, simply reverse Steps 2 and 3.

The following topics are covered in this chapter:

- **DIP Switch Settings**
- **Female DB25 Connector Pinout**
- **RS-232 Wiring**
- **RS-422 Wiring**
 - Using a DB25 Connector
 - Using the Optional Terminal Block
- **RS-485 Wiring**
 - Using a DB25 Connector
 - Using the Optional Terminal Block
- **Enabling a Termination Resistor**
 - Enabling the Built-In 120 Ω Terminator
 - Enabling a User-Supplied Terminator

DIP Switch Settings

The top panel of NPort Express contains the following table, which describes how to set up the serial port using the four DIP switches located on NPort

SW1	Serial Connection	SW2	SW3	SW4	Serial Interface Mode
		OFF	OFF	OFF	RS-232
ON	RS-232 Console	OFF	ON	ON	RS-422
		ON	OFF	ON	4-wire RS-485 by RTS
OFF	Data Comm	ON	ON	ON	4-wire RS-485 by ADDC
		ON	OFF	OFF	2-wire RS-485 by RTS
		ON	ON	OFF	2-wire RS-485 by ADDC

Switch SW1 controls the function of the serial port (ON, or up, for RS-232 Console connection, and down for Data Communication, such as when NPort Express is connected to your serial device). Note that after changing the setting of SW1, NPort Express will reboot to initialize the new setting. You must wait a few seconds for the green Ready light to blink off and then on again, indicating that the function of the serial port has been changed.

Switches SW2, SW3, and SW4 control the serial port's data communication Interface Mode. (Note that RTS stands for Ready To Send and ADDC stands for Automatic Data Direction Control.)

Keep the following points in mind when setting the DIP switches.

RS-232 Console

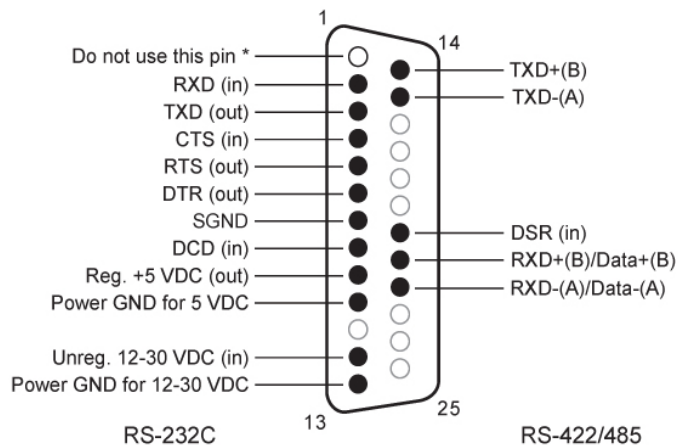
To use the serial port as a console connection, such as when using MOXA PComm Terminal Emulator or HyperTerminal, set SW1 to the ON position.

Telnet Connection

Some setup procedures can be carried out through a Telnet connection, during which data is transmitted through NPort Express's Ethernet port.

However, you must set SW1 to the OFF position to establish a Telnet connection.

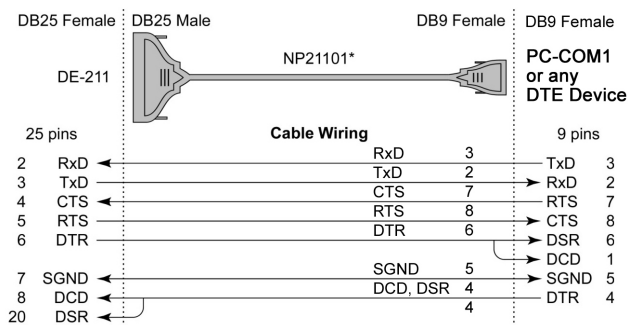
Female DB25 Connector Pinout



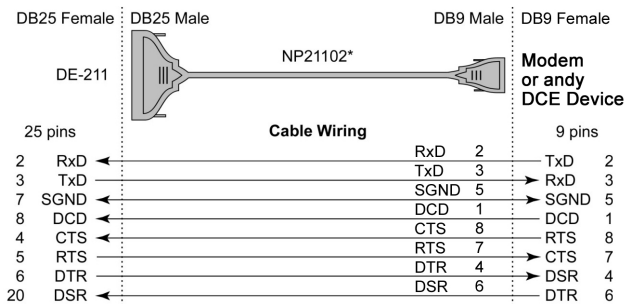
* This pin is reserved debugging. Connections this pin yourself could result in irreparable damage to your device.

RS-232 Wiring

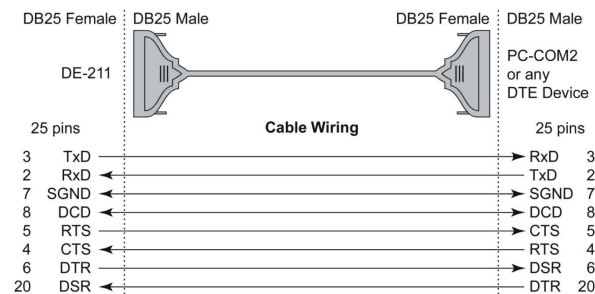
* NP21101 is an optional accessory for DE-211



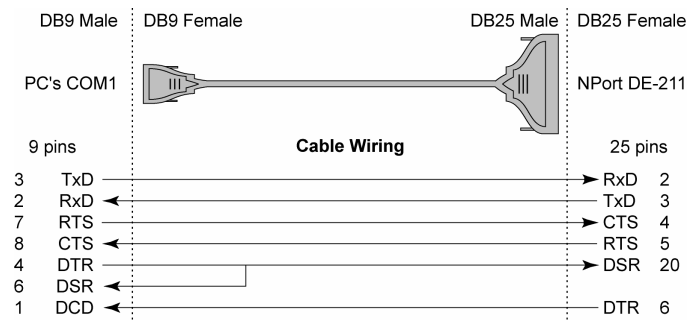
* NP21102 is an optional accessory for DE-211



NOTE The following pinout diagram shows how to use a DB25 (M) to DB25 (F) cable

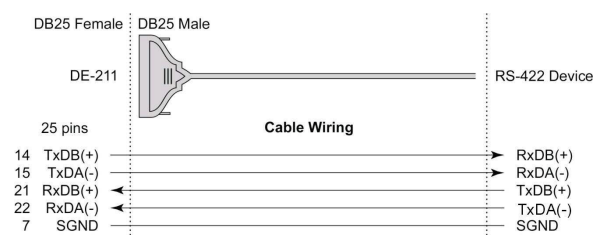


NOTE In Ethernet Modem Mode, you need a special cable—shown in the following pinout diagram—to simulate a DCD signal.

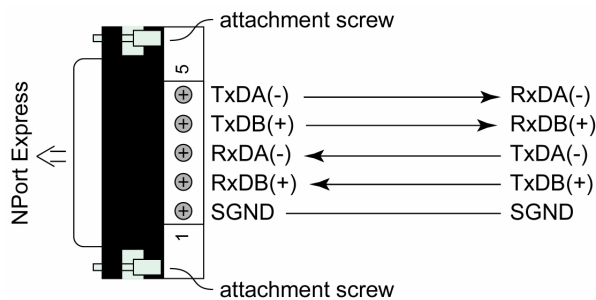


RS-422 Wiring

Using a DB25 Connector



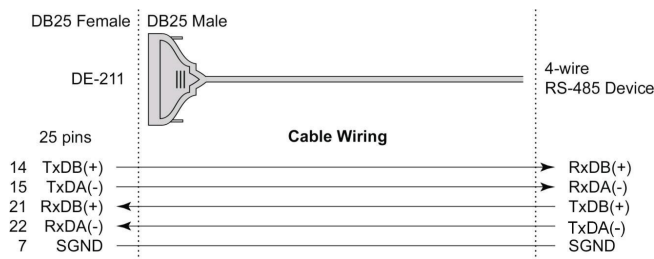
Using the Optional Terminal Block

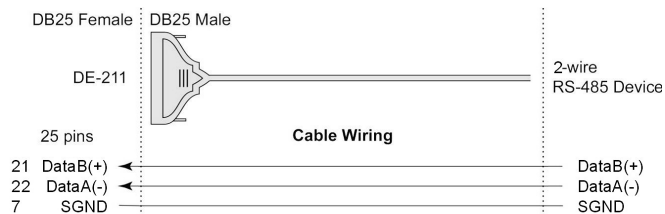


NOTE Use a flathead screwdriver to tighten the two attachment screws that connect the terminal block to NPort Express.

RS-485 Wiring

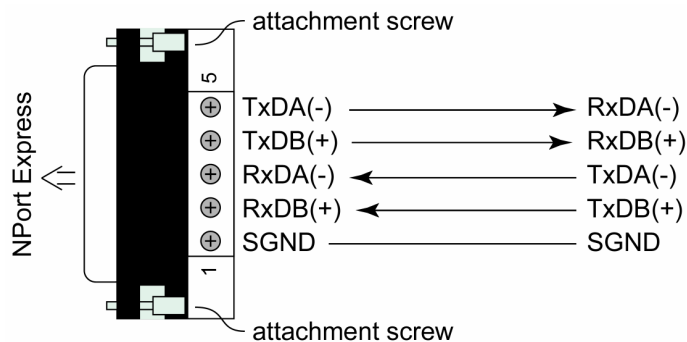
Using a DB25 Connector





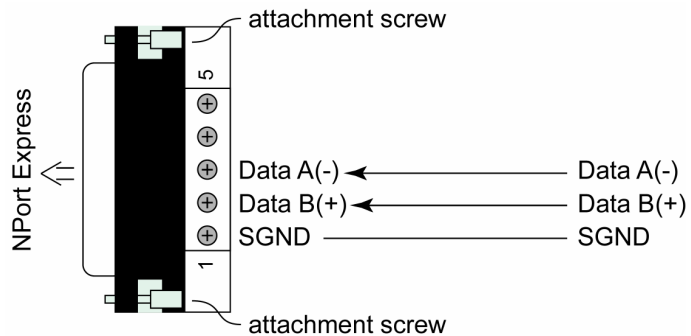
Using the Optional Terminal Block

4-wire RS-485 Terminal Block Wiring

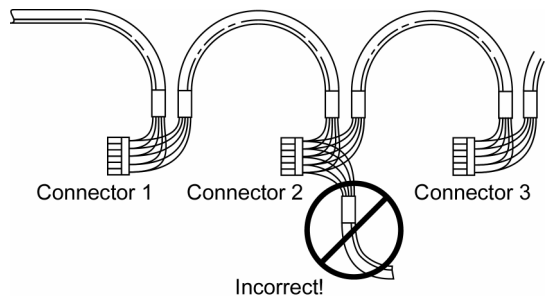


NOTE Use a flathead screwdriver to tighten the two attachment screws that connect the terminal block to NPort Express.

2-wire RS-485 Terminal Block Wiring



NOTE Use a flathead screwdriver to tighten the two attachment screws that connect the terminal block to NPort Express.



NOTE When setting up a multidrop network, a daisy-chained network should be used. Construct your device-to-device wiring as indicated in the above figure.

Enabling a Termination Resistor

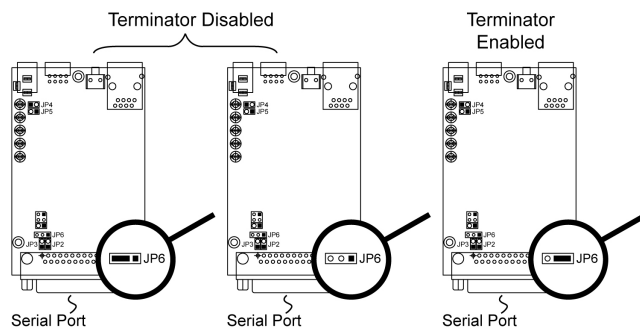
For RS-422/485 serial communications, when an electrical signal travels through two different resistance junctions in a transmission line, the impedance mismatch will sometimes cause signal reflection. Signal reflection causes signal distortion, which in turn will contribute to communication errors. The solution to this problem is to establish the same impedance at the line ends as in the line itself, by terminating them with resistors.

The impedance of the termination resistor should equal the characteristic impedance of the transmission line. The resistors should be added near the receiving side.

Enabling the Built-In 120 Ω Terminator

To enable NPort Express's built-in 120 Ω termination resistor, you must short the bottom two pins of jumper 6 (JP6), on DE-211's circuit board. To do this:

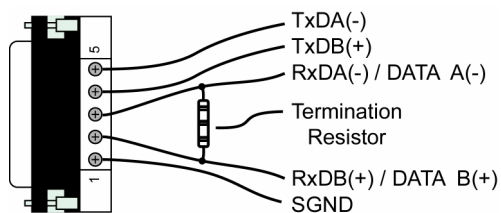
1. Use a screwdriver to remove DE-211's outer protective case, and then locate JP6, as shown in the figures below.
2. By default, the top two pins of JP6 are shorted, which means that the built-in 120 Ω termination resistor is disabled (completely removing the jumper from the pins also disables the resistor).
3. Use the jumper to short the bottom two pins of JP6 to enable the built-in 120 Ω termination resistor.



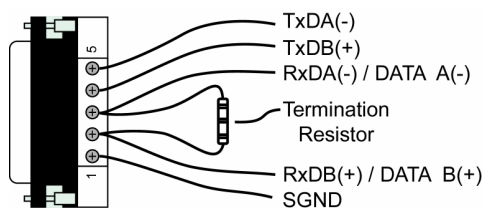
Enabling a User-Supplied Terminator

When using the terminal block, you may install your own external terminator resistor by connecting the ends of the resistor directly to inputs 2 and 3, or by connecting the two ends of the resistor to the wires that emanate from inputs 2 and 3, as shown in the following diagrams.

Enabling a user-supplied Terminator on-the-wire



Enabling a user-supplied Terminator on-the-block



4

Ethernet Installation

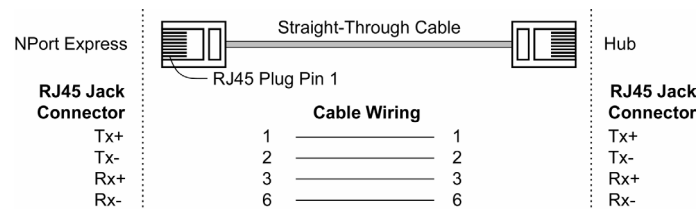
The following topics are covered in this chapter:

- **Connecting to the Ethernet Port**
 - Connecting to a Hub or Switch
 - Connecting to a PC

Connecting to the Ethernet Port

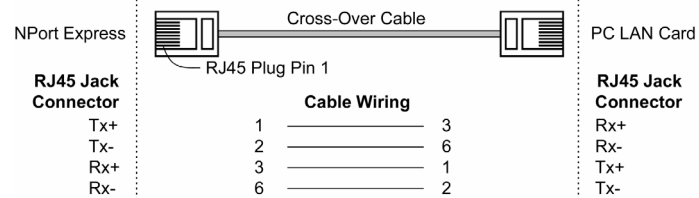
Connecting to a Hub or Switch

For most applications, you will simply plug one end of your Ethernet cable into NPort Express's 10BaseT port, and the other end into a Hub or Switch that is connected to your network. In this case, you should use a standard straight-through Ethernet cable, which is readily available from many commercial vendors. If necessary however, you can make your own cable by referring to the following cable wiring diagram.



Connecting to a PC

In some cases, such as when configuring drivers and software, you will find it convenient to hook NPort Express directly to your computer's Ethernet card. To do this, you will need to use a cross-over Ethernet cable. This type of Ethernet cable is harder to find, although you can make your own cable by referring to the following cable wiring diagram.



5

Power Connection

The following topics are covered in this chapter:

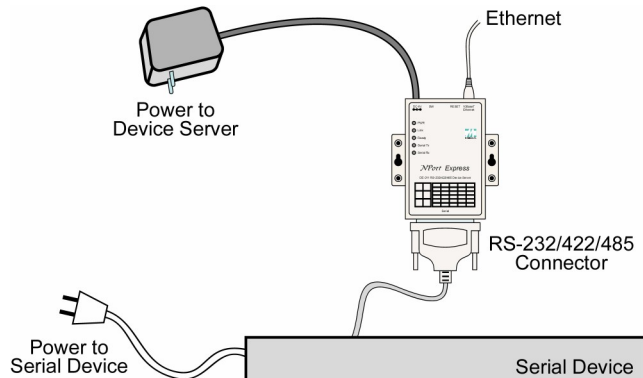
- ❑ **Using the Power Adapter**
- ❑ **Using Power Over Serial**
- ❑ **Power Status Check**

Using the Power Adapter

Take the following steps to connect NPort Express's power adapter.

1. Plug the power adapter's DC plug into NPort Express's DC-IN jack.
2. Plug the power adapter into an electrical outlet.

Note that there is no on/off switch. The server turns on as soon as the connected power adapter is plugged into a live outlet. The red PWR light on NPort Express's top panel will glow to indicate that it is receiving power.



Using Power Over Serial

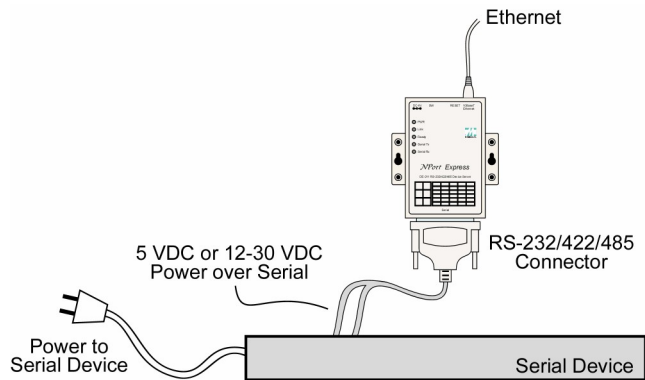
Take the following steps to set up NPort Express's Power over Serial option.

1. 12 to 30 VDC (in) Power over Serial

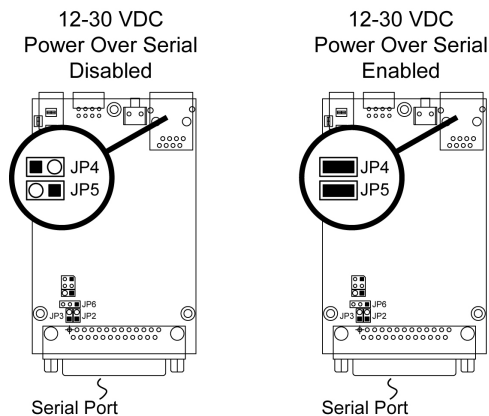



WARNING

You may not use the power adapter and 12-30 VDC Power Over Serial option at the same time. Using both power options at the same time could cause irreparable damage to your NPort Express unit.

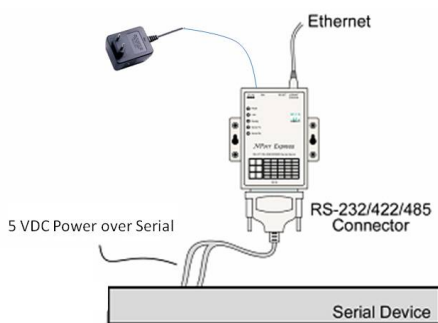


To use the 12 – 30 VDC Power over Serial option, enable jumpers JP4 and JP5, as illustrated in the following diagram. Note that when using the 12 – 30 VDC option, power is supplied via pins 12 and 13:

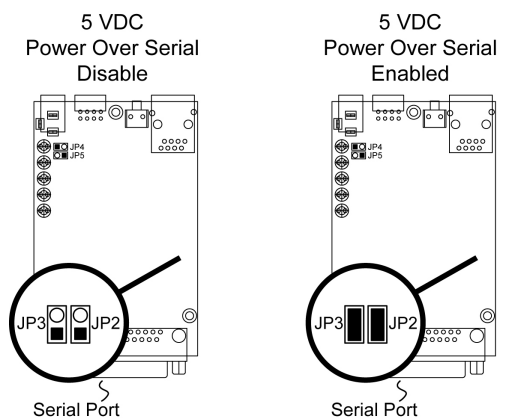


 **WARNING** Do **NOT** force either jumper horizontally, as shown in the diagram. Doing so could cause serious damage to your DE-211, or to the serial device connected to DE-211's serial port.

2. 5 VDC (out) Power over Serial output



To use the 5 VDC Power over Serial option, enable jumpers JP2 and JP3, as illustrated in the following diagram. Note that when using the 5 VDC option, power is supplied via pins 9 and 10:



**WARNING**

Do **NOT** force the jumper to connect the lower pin of JP2 to the upper pin of JP3, as shown in the diagram. Doing so could cause serious damage to your DE-211, or to the serial device connected to DE-211's serial port..

Power Status Check

Use the PWR LED indicator on NPort Express's top panel to see if it is receiving power. A red light indicates that power is being received. The absence of a light indicates that power is not being received. If the unit is plugged in, or is receiving power over cable, then an unlit PWR LED indicator shows that something is wrong with the NPort Express unit's operation.

A

Return Procedure

For product repair, exchange, or refund, the customer must:

- Provide evidence of original purchase.
- Obtain a Product Return Agreement (PRA) from the sales representative or dealer.
- Fill out the Problem Report Form (PRF). Include as much detail as possible for a shorter product repair time.
- Carefully pack the product in an anti-static package, and send it, pre-paid, to the dealer. The PRA should be visible on the outside of the package, and include a description of the problem, along with the return address and telephone number of a technical contact.

Compliance Notice

Federal Communications Commission Statement

FCC - This device complies with part 15 of the FCC Rules. Operation is subject to the following two conditions: (1) This device may not cause harmful interference, and (2) this device must accept any interference received, including interference that may cause undesired operation.

**FCC WARNING**

This equipment has been tested and found to comply with the limits for a Class A digital device, pursuant to part 15 of the FCC Rules. These limits are designed to provide reasonable protection against harmful interference when the equipment is operated in a commercial environment. This equipment generates, uses, and can radiate radio frequency energy and, if not installed and used in accordance with the instruction manual, may cause harmful interference to radio communications. Operation of this equipment in a residential area is likely to cause harmful interference in which case the user will be required to correct the interference at his own expense.