

SFP-2.5G Series

1-port 2.5 Gigabit Ethernet SFP modules



Features and Benefits

- Digital Diagnostic Monitor Function
- Hot pluggable LC duplex connector
- Class 1 Laser International Safety Standard IEC 60825-1 compliant
- RoHS compliant

Certifications



Introduction

The SFP-2.5G Series 1-port 2.5 Gigabit Ethernet SFP modules are available as optional accessories for a wide range of Moxa switches.

Specifications

Ethernet Interface

Connectors	Duplex LC connector											
Optical Fiber	2.5G Ethernet SFP											
	SFP-M					SFP-S	SFP-LS	SFP-SLH				
	Transceiver Type		Multi-mode				Single-mode	Single-mode	Single-mode			
	Fiber Cable Type		OM1	OM2	OM3	OM4	G.652	G.652	G.652			
	Typical Distance		170 m	200 m	550 m	600 m	5 km	20 km	45 km			
	Wave-length	Typical (nm)		850				1310	1310	1550		
		TX Range (nm)		830 to 860				1260 to 1360	1260 to 1360	1520 to 1580		
		RX Range (nm)		830 to 860				1260 to 1360	1260 to 1360	1260 to 1600		
	Optical Power	TX Range (dBm)		-7.5 to -1				-9 to -3	-5 to 0	-4 to +1		
		Rx Range (dBm)		0 to -13.5				-3 to -15	0 to -16	+1 to -19		
Link Budget (dB)		6				6	11	15				
Dispersion Penalty (dB)		2.5				2	1	1.5				
Typical Distance: To reach the typical distance of specified fiber transceiver, please refer to formula: Link budget(dB) > dispersion penalty(dB) + total link loss(dB)												

Power Parameters

Power Consumption	Max. 1 W
-------------------	----------

Environmental Limits

Operating Temperature	-40 to 85°C (-40 to 185°F)
Storage Temperature (package included)	-40 to 85°C (-40 to 185°F)
Ambient Relative Humidity	5 to 95% (non-condensing)

Standards and Certifications

Safety	IEC 60825-1 UL 62368-1 IEC 62368-1
EMC	EN 55032/35
EMI	FCC 15B Test Report ICES-003: 2020 Issue 7
EMS	IEC 61000-4-2 ESD: Contact: 4 kV; Air: 8 kV IEC 61000-4-3 RS: 80 MHz to 1 GHz: 3 V/m IEC 61000-4-4 EFT: Power: 1 kV(AC), 0.5 kV(DC); Signal: 0.5 kV IEC 61000-4-5 Surge: Power: 1 kV/2 kV(AC), 0.5 kV(DC); Signal: 1 kV IEC 61000-4-6 CS: 0.15 MHz to 10 MHz: 3 V, 10 MHz to 30 MHz: 3 to 1 V, 30 MHz to 80 MHz: 1 V IEC 61000-4-8 PFMF: 1 A/m at 50 Hz IEC 61000-4-11: Voltage Dips & Interruption

Warranty

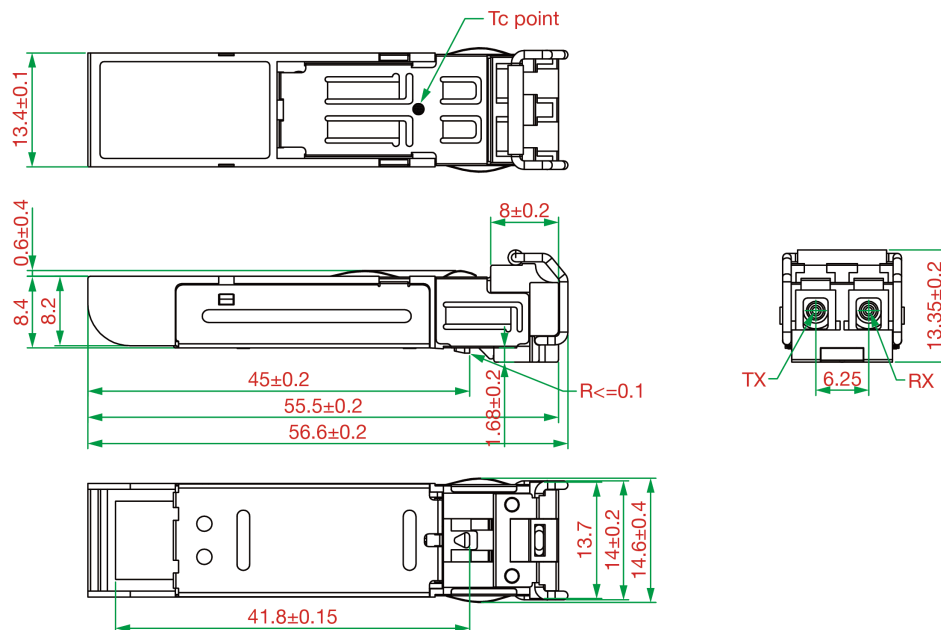
Warranty Period	5 years
Details	See www.moxa.com/warranty

Package Contents

Device	1 x SFP-2.5G Series module
Documentation	1 x warranty card

Dimensions

Unit: mm



Ordering Information

Model Name	Ports	Connector	Transmission Distance	Operating Temp.
SFP-2.5GMLC-T	1 x 2.5GBase-M, multi-mode	LC	170 m/200 m/550 m/600 m	-40 to 85°C
SFP-2.5GSLC-T	1 x 2.5GBase-S, single-mode	LC	5 km	-40 to 85°C
SFP-2.5GLSLC-T	1 x 2.5GBase-LS, single-mode	LC	20 km	-40 to 85°C
SFP-2.5GSLHLC-T	1 x 2.5GBase-SLH, single-mode	LC	45 km	-40 to 85°C

© Moxa Inc. All rights reserved. Updated Oct 03, 2023.

This document and any portion thereof may not be reproduced or used in any manner whatsoever without the express written permission of Moxa Inc. Product specifications subject to change without notice. Visit our website for the most up-to-date product information.