

# UC-8100 系列

Arm Cortex-A8 300 MHz/600 MHz/1 GHz IIoT 閘道，支援 1 個用於無線模組的迷你 PCIe 擴充插槽，操作溫度為 -10 到 60°C



## 特色與優點

- Armv7 Cortex-A8 300/600/1000 Mhz 處理器
- 兩個自動感應 10/100 Mbps 乙太網路連接埠
- 豐富的可程控 LED 以及可程控按鈕，可輕鬆安裝及維護
- Moxa 工業 Linux，提供 10 年超長期間支援
- Debian 9 開放式平台

## 認證



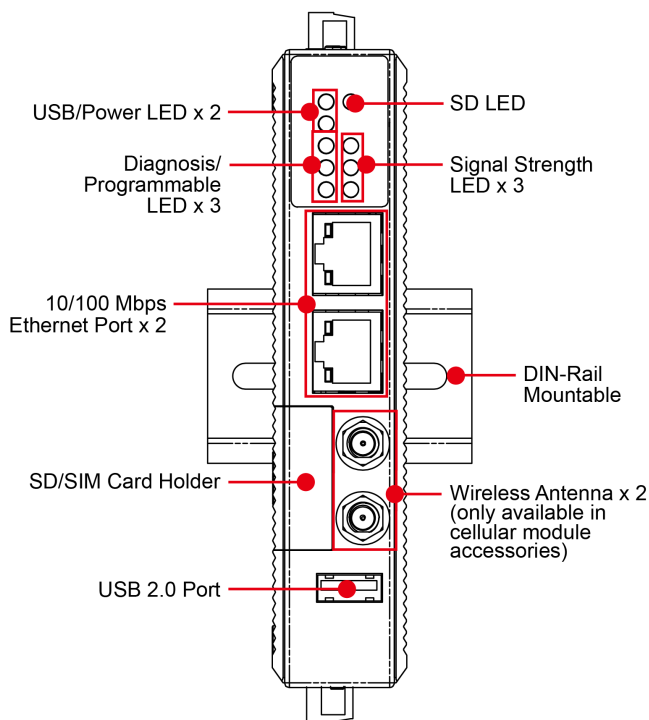
## 簡介

UC-8100 運算平台是專為嵌入式資料擷取應用所設計。電腦配備有一個或兩個 RS-232/422/485 串列埠，和兩個 10/100 Mbps Ethernet LAN 連接埠，以及一個可支援行動通訊網路模組的迷你 PCIe 插槽。這些多用途的通訊功能讓使用者能夠有效地調整 UC-8100 以適應各類複雜的通訊解決方案。

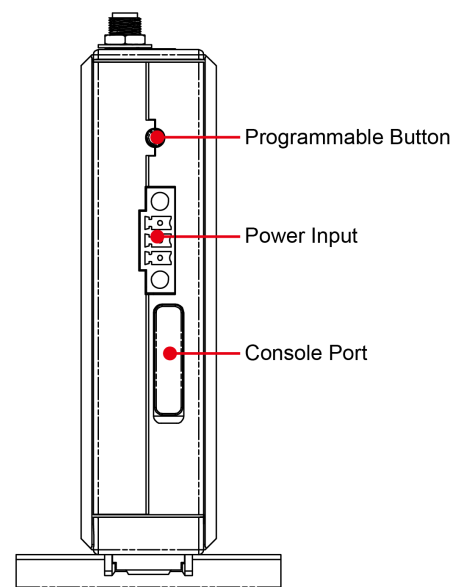
UC-8100 採用的是專為能源監視系統進行最佳化的 Cortex-A8 Arm 型處理器，但是該處理器目前已被廣泛地用於各種工業解決方案。這款輕薄的嵌入式電腦是可靠且安全的閘道，具備彈性的介面選項，可協助您在現場進行資料擷取並進行處理，同時也是適用於許多其他大規模部署的實用通訊平台。

## 外觀

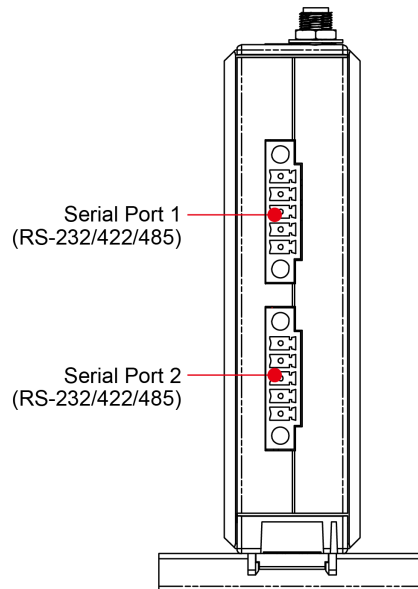
前視圖



俯視圖



## 底視圖



## 規格

### Computer

CPU	UC-8131-LX: Armv7 Cortex-A8 300 MHz UC-8132-LX: Armv7 Cortex-A8 300 MHz UC-8162-LX: Armv7 Cortex-A8 600 MHz UC-8112-LX: Armv7 Cortex-A8 1 GHz
DRAM	UC-8112-LX: 512 MB DDR3 UC-8131-LX: 256 MB DDR3 UC-8132-LX: 256 MB DDR3 UC-8162-LX: 512 MB DDR3
Supported OS	Linux Debian 9 kernel 4.4 (Moxa Industrial Linux) See <a href="http://www.moxa.com/MIL">www.moxa.com/MIL</a>
Storage Pre-installed	8 GB eMMC
Storage Slot	SD slots x 1

### Computer Interface

Ethernet Ports	Auto-sensing 10/100 Mbps ports (RJ45 connector) x 2
Serial Ports	UC-8112-LX: RS-232/422/485 ports x 2, software-selectable (terminal block) UC-8131-LX: RS-232/422/485 ports x 1, software-selectable (terminal block) UC-8132-LX: RS-232/422/485 ports x 2, software-selectable (terminal block) UC-8162-LX: RS-232/422/485 ports x 2, software-selectable (terminal block)
USB 2.0	USB 2.0 hosts x 1, type-A connectors
Expansion Slots	UC-8112-LX: mPCIe slot x 1 UC-8131-LX: mPCIe slot x 1 UC-8132-LX: mPCIe slot x 1 UC-8162-LX: mPCIe slot x 1
Number of SIMs	UC-8112-LX: 1 UC-8131-LX: 1 UC-8132-LX: 1 UC-8162-LX: 1
SIM Format	Mini
Buttons	Reset button
Console Port	RS-232 (Tx, Rx, GND), 4-pin header output (115200, n, 8, 1)

## Ethernet Interface

Magnetic Isolation Protection	1.5 kV (built-in)
-------------------------------	-------------------

## Serial Interface

Data Bits	5, 6, 7, 8
Parity	None, Even, Odd, Space, Mark
Stop Bits	1, 1.5, 2
Baudrate	300 bps to 921.6 kbps

## Serial Signals

RS-232	TxD, RxD, RTS, CTS, GND
RS-422	Tx+, Tx-, Rx+, Rx-, GND
RS-485-2w	Data+, Data-, GND
RS-485-4w	Tx+, Tx-, Rx+, Rx-, GND

## LED Indicators

System	Power x 1 SD slots x 1 Programmable x 3 USB x 1
Wireless Signal Strength	Cellular/Wi-Fi x 3

## Power Parameters

Input Voltage	12 to 24 VDC
Input Current	480 mA @ 12 VDC 225 mA @ 24 VDC
Power Consumption	5.4 W

## Reliability

Alert Tools	RTC (real-time clock)
Automatic Reboot Trigger	Built-in WDT

## Physical Characteristics

Housing	Plastic
Dimensions	101 x 27 x 128 mm (3.98 x 1.06 x 5.04 in)
Weight	224 g (0.5 lb)
Installation	DIN-rail mounting, Wall mounting (with optional kit)

## Environmental Limits

Operating Temperature	-10 to 60°C (14 to 140°F)
Storage Temperature (package included)	-20 to 80°C (-4 to 176°F)
Ambient Relative Humidity	5 to 95% (non-condensing)
Shock	IEC 60068-2-27
Vibration	2 Grms @ IEC 60068-2-64, random wave, 5-500 Hz, 1 hr per axis (without USB devices attached)

## Standards and Certifications

Safety	UL 60950-1
EMC	EN 55032/24, KC (UC-8162)
EMI	CISPR 32, FCC Part 15B Class A
EMS	IEC 61000-4-2 ESD: Contact: 4 kV; Air: 8 kV IEC 61000-4-3 RS: 80 MHz to 1 GHz: 3 V/m IEC 61000-4-4 EFT: Power: 1 kV; Signal: 0.5 kV IEC 61000-4-5 Surge: Power: 0.5 kV IEC 61000-4-6 CS: 3 V IEC 61000-4-8 PFMF
Green Product	RoHS, CRoHS, WEEE

## MTBF

Time	UC-8131-LX: 1,465,546 hrs UC-8132-LX/8162-LX: 1,195,173 hrs UC-8112-LX: 1,149,242 hrs
Standards	Telcordia (Bellcore) Standard

## Warranty

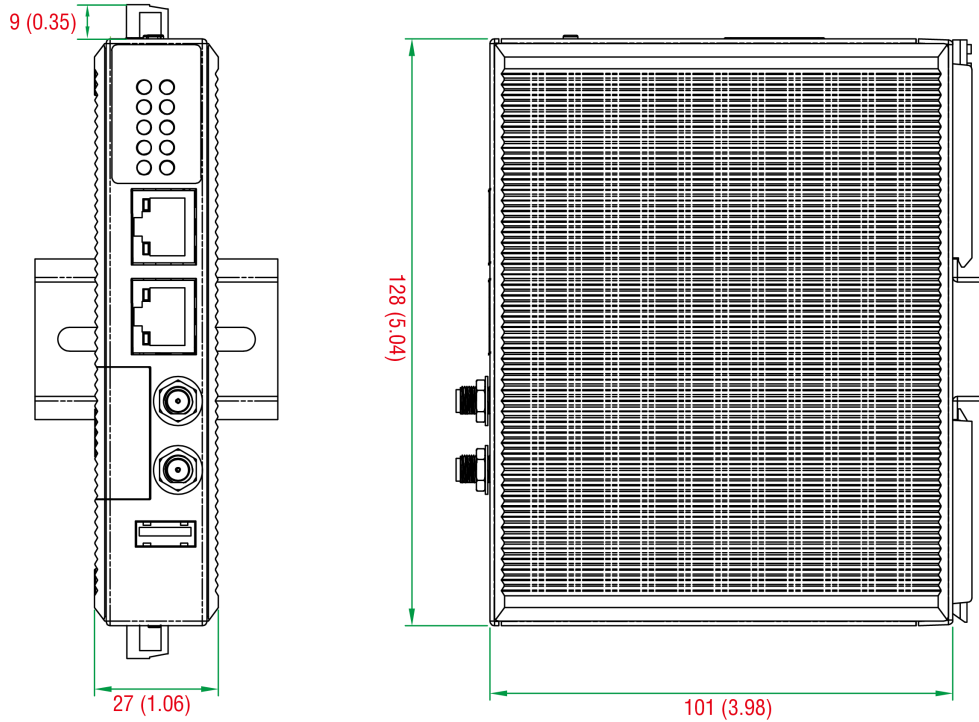
Warranty Period	5 years
Details	See <a href="http://www.moxa.com/tw/warranty">www.moxa.com/tw/warranty</a>

## Package Contents

Device	1 x UC-8100 Series computer
Cable	1 x console cable
Installation Kit	1 x power jack
Documentation	1 x quick installation guide 1 x warranty card

## 尺寸

Unit: mm (inch)



## 訂購資訊

Model Name	CPU	RAM	Storage	Storage Slot	mPCIe Socket for Wireless Module	Serial Ports
UC-8131-LX	Armv7 Cortex-A8 300 MHz	256 MB	8 GB eMMC	SD Card	1	1
UC-8132-LX	Armv7 Cortex-A8 300 MHz	256 MB	8 GB eMMC	SD Card	1	2
UC-8162-LX	Armv7 Cortex-A8 600 MHz	512 MB	8 GB eMMC	SD Card	1	2
UC-8112-LX	Armv7 Cortex-A8 1 GHz	512 MB	8 GB eMMC	SD Card	1	2

## 配件 (選購)

### Power Adapters

PWR-12150-UK-SA-T	Locking barrel plug, 12 VDC, 1.5 A, 100 to 240 VAC, United Kingdom (UK) plug, -40 to 75°C operating temperature
PWR-12150-EU-SA-T	Locking barrel plug, 12 VDC, 1.5 A, 100 to 240 VAC, Continental Europe (EU) plug, -40 to 75°C operating temperature
PWR-12150-CN-SA-T	Locking barrel plug, 12 VDC, 1.5 A, 100 to 240 VAC, China (CN) plug, -40 to 75°C operating temperature
PWR-12150-USJP-SA-T	Locking barrel plug, 12 VDC 1.5 A, 100 to 240 VAC, United States/Japan (US/JP) plug, -40 to 75°C operating temperature
PWR-12150-AU-SA-T	Locking barrel plug, 12 VDC, 1.5 A, 100 to 240 VAC, Australia (AU) plug, -40 to 75°C operating temperature

### Cellular Wireless Modules

UC-8100 LTE-CAT4-AP	Telit LE910C4-AP LTE Cat. 4 mini card with 2 M2 screws for the APAC region
UC-8100 LTE-CAT4-EU	Telit LE910C4-EU LTE Cat. 4 mini card with 2 M2 screws for the EMEA region

## Wi-Fi Wireless Modules

WiFi-BGN	802.11ac/a/b/g/n Wi-Fi module x1, i-PEX MHF male connector to RP-SMA female connector x2, ANT-WDB-ARM-02 x1, M2 screw x2
----------	--

## Antennas

ANT-WDB-ARM-02	2.4/5 GHz, omni-directional rubber duck antenna, 2 dBi, RP-SMA (male)
ANT-LTE-OSM-03-3m BK	700-2700 MHz, multi-band antenna, specifically designed for 2G, 3G, and 4G applications, 3 m cable
ANT-LTE-ASM-05 BK	704-960/1710-2620 MHz, LTE stick antenna, 5 dBi
ANT-LTEUS-ASM-01	GSM/GPRS/EDGE/UMTS/HSPA/LTE, omni-directional rubber duck antenna, 1 dBi
ANT-LTE-OSM-06-3m BK MIMO	Multiband antenna with screw-fastened mounting option for 700-2700/2400-2500/5150-5850 MHz frequencies
ANT-LTE-ASM-04 BK	704-960/1710-2620 MHz, LTE omni-directional stick antenna, 4.5 dBi

## Cables

CBL-F9DPF1x4-BK-100	Console cable with 4-pin connector, 1 m
---------------------	---

## Wall-Mounting Kits

WALLMOUNT-8100-01	Wall-mounting kit for the UC-8100 with screws
-------------------	---

© Moxa Inc. 版權所有.2021 年 7 月 2 日更新。

未經 Moxa Inc. 明確書面許可，不得以任何方式複製或使用本文件及其任何部分。產品規格如有變更，恕不另行通知。請至本公司官網了解最新的產品資訊。