

# V2403 系列

無風扇、強固型 x86 工業物聯網嵌入式電腦



## 特色與優點

- Intel® Core™ i 系列處理器，提供三種效能選項
- -40 至 70°C ( 系統與 LTE ) 工作溫度
- 雙 CFast 插槽可用於儲存 OS 以及 OS 備份
- 三個 mini-PCIe 插槽用於支援 mSATA、Wi-Fi、3G、LTE、GPS 和 Bluetooth 的儲存和無線模組
- 各種介面：4 個串列埠，2 個乙太網路 LAN 連接埠，4 個 DI、4 個 DO、USB、HDMI、無線
- EN 61000-6-2 和 EN 61000-6-4 認證<sup>1</sup> 並且符合重工業的 EMC 標準
- 高達 5 Grms 的防震以及 100 g/11 ms 的抗撞擊保護
- 開機即用的 Debian 8、Windows Embedded Standard 7 以及 Windows 10 Embedded IoT Enterprise 2016 LTSP 平台
- Moxa Proactive Monitoring 支援監控系統硬體狀態
- Moxa Smart Recovery 支援系統啟動故障快速復原 ( 僅 W7E )

## 認證



## 簡介

V2403 系列無風扇 x86 嵌入式電腦是以 Intel® 第 3 代 Core-i™ 系列處理器為架構，採用最可靠的 I/O 設計以發揮最大互聯性，並且可支援雙重無線模組，使其適用於各種通訊應用範圍。本系列電腦的散熱設計可確保系統能夠於 -40 至 70°C 溫度範圍 ( 已安裝專用 Moxa 無線模組 ) 可靠運作。V2403 系列可支援「Moxa Proactive Monitoring」，可監控裝置的 I/O 狀態並發出警報、監控系統溫度並發出警報，以及管理系統電源。密切監控系統狀態將使系統快速從故障中復原，為您的應用提供最可靠的平台。

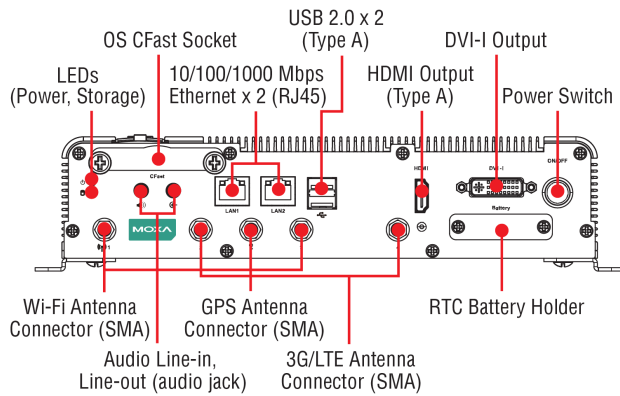
## 應用

- 遠端終端裝置 (RTU)
- 資料擷取
- M2M 通訊 ( 智慧閘道 )
- 數位看板
- 工廠自動化
- 車載監控/數據記錄器 ( 交通運輸 )
- 可編程路由器
- 能源使用最佳化
- 預測性維護
- 資產管理

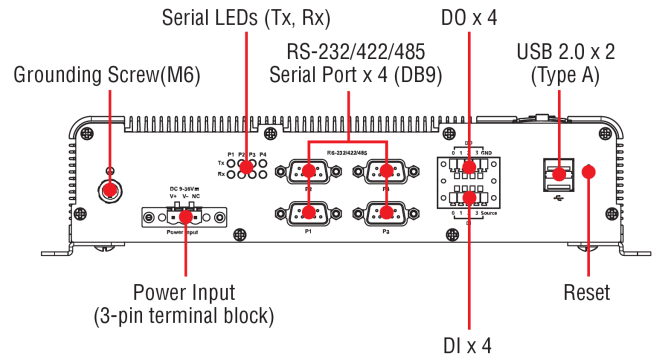
1. 適用交流電/直流電轉換器

## 外觀

前視圖



後視圖



## 規格

### Computer

CPU	V2403-C2 Series: Intel® Celeron® Processor 1047UE (2 M cache, 1.40 GHz) V2403-C7 Series: Intel® Core™ i7-3517UE Processor (4 M cache, up to 2.80 GHz)
System Chipset	Mobile Intel® HM65 Express Chipset
Graphics Controller	Intel® HD Graphics
System Memory Pre-installed	Default 4 GB DDR3
System Memory Slot	SODIMM DDR3/DDR3L slot x 1
Supported OS	Linux Debian 8 (Linux kernel v4.1) Windows Embedded Standard 7 (WS7E) 32-bit Windows Embedded Standard 7 (WS7E) 64-bit
Storage Slot	2.5-inch HDD/SSD slots x 1 CFAST slot x 2 mSATA slots x 1

### Computer Interface

Ethernet Ports	Auto-sensing 10/100/1000 Mbps ports (RJ45 connector) x 2
Serial Ports	RS-232/422/485 ports x 4, software selectable (DB9 male)
USB 2.0	USB 2.0 hosts x 4, type-A connectors
Audio Input/Output	Line in x 1, Line out x 1, 3.5 mm phone jack
Digital Input	DIs x 4
Digital Output	DOs x 4
Expansion Slots	mPCIe slot x 2
Video Output	DVI-I x 1, 29-pin DVI-I connectors (female) HDMI x 1, HDMI connector (type A)
Wi-Fi Antenna Connector	RP-SMA x 2
Cellular Antenna Connector	SMA x 2
Number of SIMs	2
SIM Format	Mini
GPS Antenna Connector	SMA x 1

## Digital Inputs

Isolation	3k VDC
Connector	Screw-fastened Euroblock terminal
Dry Contact	On: short to GND Off: open
I/O Mode	DI
Sensor Type	Dry contact Wet contact (NPN or PNP)
Wet Contact (DI to COM)	On: 10 to 30 VDC Off: 0 to 3 VDC

## Digital Outputs

Connector	Screw-fastened Euroblock terminal
Current Rating	200 mA per channel
I/O Type	Sink
Voltage	24 to 40 VDC

## LED Indicators

System	Power x 1 Storage x 1
LAN	2 per port (10/100/1000 Mbps)
Serial	2 per port (Tx, Rx)

## Serial Interface

Baudrate	50 bps to 921.6 kbps
Flow Control	RTS/CTS, XON/XOFF, ADDC® (automatic data direction control) for RS-485, RTS Toggle (RS-232 only)
Parity	None, Even, Odd, Space, Mark
Data Bits	5, 6, 7, 8
Stop Bits	1, 1.5, 2

## Serial Signals

RS-232	TxD, RxD, RTS, CTS, DTR, DSR, DCD, GND
RS-422	Tx+, Tx-, Rx+, Rx-, GND
RS-485-2w	Data+, Data-, GND
RS-485-4w	Tx+, Tx-, Rx+, Rx-, GND

## Power Parameters

Input Voltage	9 to 36 VDC
Power Connector	Terminal block (for DC models)
Power Consumption (Max.)	3.51 A @ 9 VDC 1.39 A @ 24 VDC 0.93 A @ 36 VDC
Power Consumption	34 W (max.)

## Physical Characteristics

Housing	Aluminum
IP Rating	IP30
Dimensions (with ears)	275 x 63 x 154 mm (10.83 x 2.47 x 6.06 in)
Dimensions (without ears)	250 x 57 x 154 mm (9.84 x 2.23 x 6.06 in)
Weight	2,168 g (4.82 lb)
Installation	DIN-rail mounting (optional), Wall mounting (standard)

## Environmental Limits

Operating Temperature	-40 to 70°C (-40 to 158°F)
Storage Temperature (package included)	-40 to 85°C (-40 to 185°F)
Ambient Relative Humidity	5 to 95% (non-condensing)

## Standards and Certifications

EMC	EN 55032/24, EN 61000-6-2/-6-4
EMI	CISPR 32, FCC Part 15B Class A
EMS	IEC 61000-4-2 ESD: Contact: 4 kV; Air: 8 kV IEC 61000-4-3 RS: 80 MHz to 1 GHz: 10 V/m IEC 61000-4-4 EFT: Power: 2 kV; Signal: 1 kV IEC 61000-4-5 Surge: Power: 2 kV; Signal: 1 kV IEC 61000-4-6 CS: 1 V IEC 61000-4-8 PFMF
Safety	EN 60950-1, UL 508, UL 60950-1
Shock	IEC 60068-2-27
Vibration	IEC 60068-2-64

## Declaration

Green Product	RoHS, CRoHS, WEEE
---------------	-------------------

## MTBF

Time	329,398 hrs
Standards	Telcordia (Bellcore), GB

## Warranty

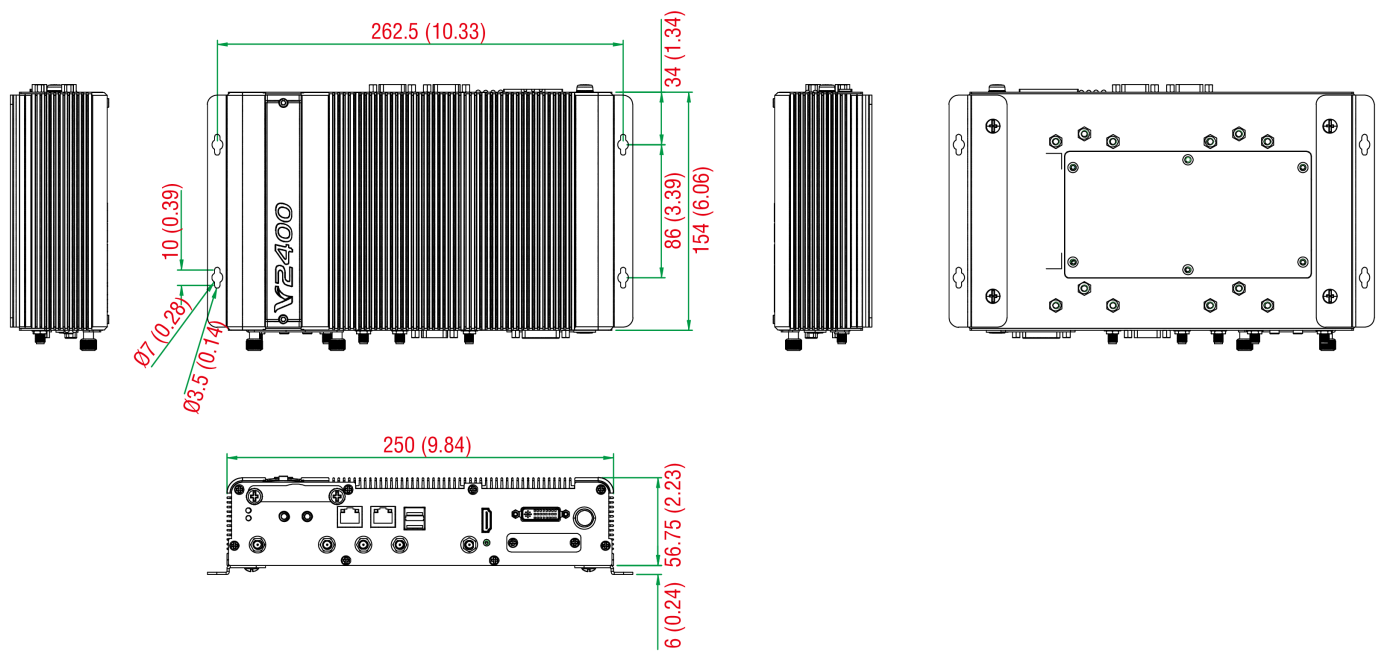
Warranty Period	3 years
Details	See <a href="http://www.moxa.com/tw/warranty">www.moxa.com/tw/warranty</a>

## Package Contents

Device	1 x V2403 Series computer
Cable	1 x terminal block to power jack converter
Installation Kit	1 x wall-mounting kit
Documentation	1 x document and software CD 1 x quick installation guide 1 x warranty card

# 尺寸

單位：公釐（英吋）



# 訂購資訊

Model Name	CPU	Memory (Default)	OS CFast (CTO)	Backup CFast (CTO)	SSD/HDD Tray (CTO)	USIM Slot	Antenna Connectors	Operating Temp.
V2403-C2-T	Celeron 1047UE	4 GB	1 (Optional)	1 (Optional)	1 (Optional)	-	-	-40 to 70°C
V2403-C2-W-T	Celeron 1047UE	4 GB	1 (Optional)	1 (Optional)	1 (Optional)	-	-	-40 to 70°C
V2403-C3-T	i3-3217UE	4 GB	1 (Optional)	1 (Optional)	1 (Optional)	-	-	-40 to 70°C
V2403-C3-W-T	i3-3217UE	4 GB	1 (Optional)	1 (Optional)	1 (Optional)	2	5	-40 to 70°C
V2403-C7-T	i7-3517UE	4 GB	1 (Optional)	1 (Optional)	1 (Optional)	2	5	-40 to 70°C
V2403-C7-W-T	i7-3517UE	4 GB	1 (Optional)	1 (Optional)	1 (Optional)	2	5	-40 to 70°C
V2403-C2-T-LX	Celeron 1047UE	4 GB	8 GB	1 (Optional)	1 (Optional)	-	-	-40 to 70°C
V2403-C2-T-W7E	Celeron 1047UE	4 GB	8 GB	1 (Optional)	1 (Optional)	-	-	-40 to 70°C
V2403-C2-T-W7E1	Celeron 1047UE	8 GB	32 GB	1 (Optional)	64 GB MLC	-	-	-40 to 70°C

# 配件（選購）

## Battery Kits

RTC Battery Kit	Lithium battery with built-in connector
-----------------	-----------------------------------------

## Power Adapters

PWR-24270-DT-S1	Power adapter, input voltage 90 to 264 VAC, output voltage 24 V with 2.5 A DC load
-----------------	------------------------------------------------------------------------------------

## Power Cords

PWC-C7AU-2B-183	Power cord with Australian (AU) plug, 2.5A/250V, 1.83 m
PWC-C7CN-2B-183	Power cord with two-prong China (CN) plug, 1.83 m
PWC-C7EU-2B-183	Power cord with Continental Europe (EU) plug, 2.5A/250V, 1.83 m
PWC-C7UK-2B-183	Power cord with United Kingdom (UK) plug, 2.5A/250V, 1.83 m
PWC-C7US-2B-183	Power cord with United States (US) plug, 10A/125V, 1.83 m

## DIN-Rail Mounting Kits

DK-DC50131-01	DIN-rail mounting kit, 6 screws
---------------	---------------------------------

## Wall-Mounting Kits

V2400 Isolated Wall Mount Kit	Wall-mounting kit with isolation protection, 2 wall-mounting brackets, 4 screws
-------------------------------	---------------------------------------------------------------------------------

## Storage Kits

FK-75125-02	Storage bracket, 4 large silver screws, 4 soft washers, 4 small silver bronze screws, 1 SATA power cable, 4 golden spacers (only for the V2406 and V2426)
-------------	-----------------------------------------------------------------------------------------------------------------------------------------------------------

## Antennas

ANT-GPS-OSM-05-3M BK	Active GPS antenna, 26 dBi, 1572 MHz, L1 band antenna for GPS
ANT-LTEUS-ASM-01	GSM/GPRS/EDGE/UMTS/HSPA/LTE, omni-directional rubber duck antenna, 1 dBi
ANT-WDB-ARM-02	2.4/5 GHz, omni-directional rubber duck antenna, 2 dBi, RP-SMA (male)
ANT-WCDMA-ASM-1.5	GSM/GPRS/EDGE/UMTS/HSPA, omni-directional rubber duck antenna, 1.5 dBi
ANT-LTE-ASM-02	GPRS/EDGE/UMTS/HSPA/LTE, omni-directional rubber duck antenna, 2 dBi

## Wi-Fi Wireless Modules

V2403 Wi-Fi mini Card	SparkLAN WPEA-252NI Wi-Fi mini card , 4 black screws
-----------------------	------------------------------------------------------

© Moxa Inc. 版權所有.2020 年 1 月 22 日更新。

未經 Moxa Inc. 明確書面許可，不得以任何方式複製或使用本文件及其任何部分。產品規格如有變更，恕不另行通知。請至本公司官網了解最新的產品資訊。