

EDS-2018-ML 系列

16+2G 埠 Gigabit 非網管型乙太網路交換器



特色與優點

- 2 Gigabit 上行鏈路，具有彈性介面設計，適用於高頻寬資料聚合
- 支援 QoS 在高負荷流量中處理重要資料
- 電源斷電和通訊埠斷線時，可透過繼電器輸出告警
- IP30 等級金屬外殼
- 雙備援 12/24/48 VDC 電源輸入
- -40 至 75°C 寬操作溫度範圍 (-T 型號)

認證



簡介

EDS-2018-ML 系列工業級乙太網路交換器具有十六個 10/100M 銅線連接埠及兩個 10/100/1000BaseT(X) 或 100/1000BaseSFP 連接埠組合，非常適合需要高頻寬資料聚合的應用。此外，為了針對不同產業的應用提供更多的彈性，EDS-2018-ML 系列允許使用者透過外部面板 DIP 開關啟用或停用服務品質功能 (QoS)，廣播風暴防護及連接埠中斷警報功能。

EDS-2018-ML 系列具有 12/24/48 VDC 冗餘電源輸入、DIN 軌道安裝，以及高階 EMI/EMC 功能。除了小巧的尺寸之外，EDS-2018-ML 系列也通過 100% 的高溫測試，確保現場的穩定運作。EDS-2018-ML 系列具有 -10 至 60°C 的標準操作溫度範圍，同時具有寬溫度型號可選 (-40 至 75°C)。

規格

Ethernet Interface

| | |
|---|---|
| 10/100BaseT(X) Ports (RJ45 connector) | 16 Auto MDI/MDI-X connection Full/Half duplex mode Auto negotiation speed |
| Combo Ports (10/100/1000BaseT(X) or 100/1000BaseSFP+) | 2 Auto negotiation speed Auto MDI/MDI-X connection Full/Half duplex mode |
| Standards | IEEE 802.3 for 10BaseT IEEE 802.3u for 100BaseT(X) IEEE 802.3ab for 1000BaseT(X) IEEE 802.3z for 1000BaseX IEEE 802.3x for flow control IEEE 802.1p for Class of Service |

DIP Switch Configuration

| | |
|--------------------|--|
| Ethernet Interface | Quality of Service (QoS) Broadcast storm protection Port break alarm |
|--------------------|--|

Input/Output Interface

| | |
|------------------------|---|
| Alarm Contact Channels | Relay output with current carrying capacity of 1 A @ 24 VDC |
|------------------------|---|

Switch Properties

| | |
|--------------------|-------------------|
| MAC Table Size | 8 K |
| Packet Buffer Size | 4 Mbits |
| Processing Type | Store and Forward |

Power Parameters

| | |
|-----------------------------|---|
| Connection | 1 removable 6-contact terminal block(s) |
| Input Current | 0.277 A @ 24 VDC |
| Input Voltage | 12/24/48 VDC Redundant dual inputs |
| Operating Voltage | 9.6 to 60 VDC |
| Overload Current Protection | Supported |
| Reverse Polarity Protection | Supported |

Physical Characteristics

| | |
|--------------|--|
| Housing | Metal |
| IP Rating | IP30 |
| Dimensions | 58 x 135 x 95 mm (2.28 x 5.31 x 3.74 in) |
| Weight | 683 g (1.51 lb) |
| Installation | DIN-rail mounting Wall mounting (with optional kit) |

Environmental Limits

| | |
|--|---|
| Operating Temperature | EDS-2018-ML-2GTXSFP: -10 to 60°C (14 to 140°F) EDS-2018-ML-2GTXSFP-T: -40 to 75°C (-40 to 167°F) |
| Storage Temperature (package included) | -40 to 85°C (-40 to 185°F) |
| Ambient Relative Humidity | 5 to 95% (non-condensing) |

Standards and Certifications

| | |
|---------------------|--|
| Safety | UL 61010-2-201 EN 62368-1(LVD) |
| EMC | EN 55032/35 EN 61000-6-2/-6-4 |
| EMI | CISPR 32, FCC Part 15B Class A |
| EMS | IEC 61000-4-2 ESD: Contact: 6 kV; Air: 8 kV IEC 61000-4-3 RS: 80 MHz to 1 MHz: 20 V/m IEC 61000-4-4 EFT: Power: 2 kV; Signal: 2 kV IEC 61000-4-5 Surge: Power: 2 kV; Signal: 2 kV IEC 61000-4-6 CS: 10 V IEC 61000-4-8 PFMF |
| Hazardous Locations | Class I Division 2 IECEx ATEX |
| Maritime | DNV LR ABS NK |

| | |
|-----------------|----------------|
| Railway | EN 50121-4 |
| Traffic Control | NEMA TS2 |
| Vibration | IEC 60068-2-6 |
| Shock | IEC 60068-2-27 |
| Freefall | IEC 60068-2-32 |

MTBF

| | |
|-----------|--------------------------|
| Time | 1,776,132 hrs |
| Standards | Telcordia (Bellcore), GB |

Warranty

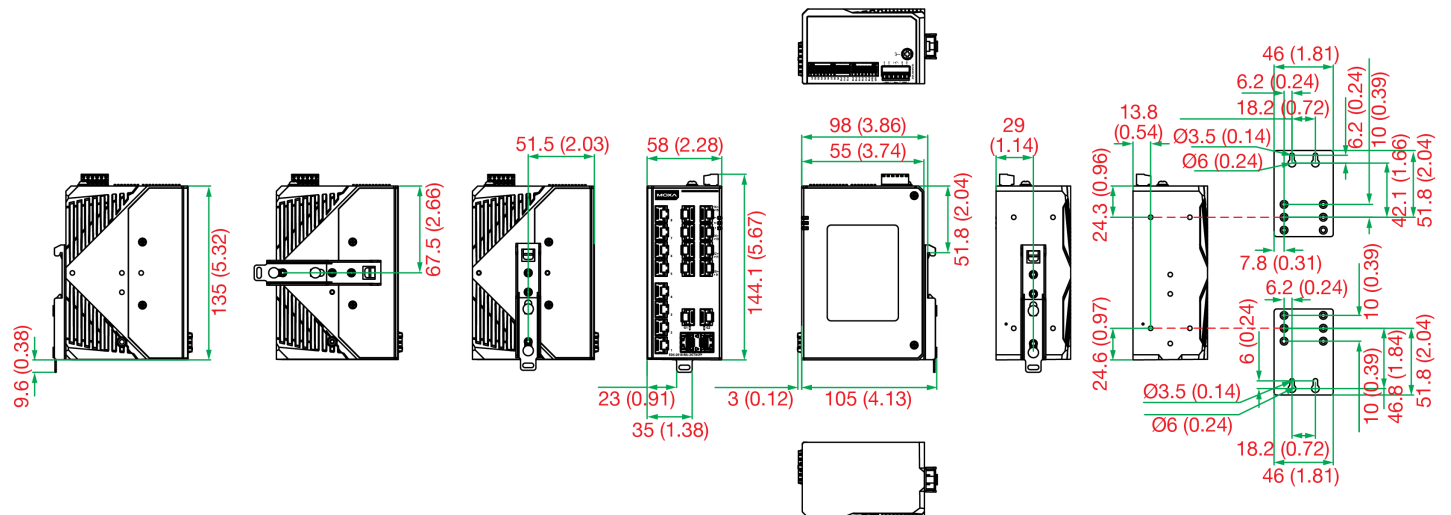
| | |
|-----------------|--|
| Warranty Period | 5 years |
| Details | See www.moxa.com/tw/warranty |

Package Contents

| | |
|------------------|---|
| Device | 1 x EDS-2018-ML Series switch |
| Installation Kit | 2 x cap, plastic, for SFP port 4 x cap, plastic, for RJ45 port |
| Documentation | 1 x quick installation guide 1 x warranty card |

尺寸

單位：公釐 (英吋)



訂購資訊

| Model Name | 10/100BaseT(X) Ports (RJ45 connector) | Combo Ports (10/100/1000BaseT(X) or 100/1000BaseSFP+) | Operating Temp. |
|-----------------------|---------------------------------------|---|-----------------|
| EDS-2018-ML-2GTXSFP | 16 | 2 | -10 to 60°C |
| EDS-2018-ML-2GTXSFP-T | 16 | 2 | -40 to 75°C |

配件 (選購)

SFP Modules

| | |
|----------------|--|
| SFP-1FEMLC-T | SFP module with 1 100Base multi-mode, LC connector for 2/4 km transmission, -40 to 85°C operating temperature |
| SFP-1FESLC-T | SFP module with 1 100Base single-mode with LC connector for 40 km transmission, -40 to 85°C operating temperature |
| SFP-1FELLC-T | SFP module with 1 100Base single-mode with LC connector for 80 km transmission, -40 to 85°C operating temperature |
| SFP-1GTXRJ45-T | SFP module with 1 1000BaseT port with RJ45 connector for 100 m transmission, -40 to 75°C operating temperature |
| SFP-1GSXLC | SFP module with 1 1000BaseSX port with LC connector for 300m/550m transmission, 0 to 60°C operating temperature |
| SFP-1GSXLC-T | SFP module with 1 1000BaseSX port with LC connector for 300m/550m transmission, -40 to 85°C operating temperature |
| SFP-1GLSXLC | SFP module with 1 1000BaseLSX port with LC connector for 1km/2km transmission, 0 to 60°C operating temperature |
| SFP-1GLSXLC-T | SFP module with 1 1000BaseLSX port with LC connector for 1km/2km transmission, -40 to 85°C operating temperature |
| SFP-1GLXLC | SFP module with 1 1000BaseLX port with LC connector for 10 km transmission, 0 to 60°C operating temperature |
| SFP-1GLXLC-T | SFP module with 1 1000BaseLX port with LC connector for 10 km transmission, -40 to 85°C operating temperature |
| SFP-1GLHLC | SFP module with 1 1000BaseLH port with LC connector for 30 km transmission, 0 to 60°C operating temperature |
| SFP-1GLHLC-T | SFP module with 1 1000BaseLH port with LC connector for 30 km transmission, -40 to 85°C operating temperature |
| SFP-1GLHXC | SFP module with 1 1000BaseLHX port with LC connector for 40 km transmission, 0 to 60°C operating temperature |
| SFP-1GLHXC-T | SFP module with 1 1000BaseLHX port with LC connector for 40 km transmission, -40 to 85°C operating temperature |
| SFP-1GZXLC | SFP module with 1 1000BaseZX port with LC connector for 80 km transmission, 0 to 60°C operating temperature |
| SFP-1GZXLC-T | SFP module with 1 1000BaseZX port with LC connector for 80 km transmission, -40 to 85°C operating temperature |
| SFP-1GEZXC | SFP module with 1 1000BaseEZ port with LC connector for 110 km transmission, 0 to 60°C operating temperature |
| SFP-1GEZXC-120 | SFP module with 1 1000BaseEZ port with LC connector for 120 km transmission, 0 to 60°C operating temperature |
| SFP-1G10ALC | WDM-type (BiDi) SFP module with 1 1000BaseSFP port with LC connector for 10 km transmission; TX 1310 nm, RX 1550 nm, 0 to 60°C operating temperature |
| SFP-1G10ALC-T | WDM-type (BiDi) SFP module with 1 1000BaseSFP port with LC connector for 10 km transmission; TX 1310 nm, RX 1550 nm, -40 to 85°C operating temperature |
| SFP-1G10BLC | WDM-type (BiDi) SFP module with 1 1000BaseSFP port with LC connector for 10 km transmission; TX 1550 nm, RX 1310 nm, 0 to 60°C operating temperature |
| SFP-1G10BLC-T | WDM-type (BiDi) SFP module with 1 1000BaseSFP port with LC connector for 10 km transmission; TX 1550 nm, RX 1310 nm, -40 to 85°C operating temperature |
| SFP-1G20BLC | WDM-type (BiDi) SFP module with 1 1000BaseSFP port with LC connector for 20 km transmission; TX 1550 nm, RX 1310 nm, 0 to 60°C operating temperature |
| SFP-1G20ALC-T | WDM-type (BiDi) SFP module with 1 1000BaseSFP port with LC connector for 20 km transmission; TX 1310 nm, RX 1550 nm, -40 to 85°C operating temperature |
| SFP-1G20ALC | WDM-type (BiDi) SFP module with 1 1000BaseSFP port with LC connector for 20 km transmission; TX 1310 nm, RX 1550 nm, 0 to 60°C operating temperature |
| SFP-1G20BLC-T | WDM-type (BiDi) SFP module with 1 1000BaseSFP port with LC connector for 20 km transmission; TX 1550 nm, RX 1310 nm, -40 to 85°C operating temperature |

| | |
|---------------|--|
| SFP-1G40BLC | WDM-type (BiDi) SFP module with 1 1000BaseSFP port with LC connector for 40 km transmission; TX 1550 nm, RX 1310 nm, 0 to 60°C operating temperature |
| SFP-1G40BLC-T | WDM-type (BiDi) SFP module with 1 1000BaseSFP port with LC connector for 40 km transmission; TX 1550 nm, RX 1310 nm, -40 to 85°C operating temperature |
| SFP-1G40ALC | WDM-type (BiDi) SFP module with 1 1000BaseSFP port with LC connector for 40 km transmission; TX 1310 nm, RX 1550 nm, 0 to 60°C operating temperature |
| SFP-1G40ALC-T | WDM-type (BiDi) SFP module with 1 1000BaseSFP port with LC connector for 40 km transmission; TX 1310 nm, RX 1550 nm, -40 to 85°C operating temperature |

Power Supplies

| | |
|-----------|---|
| DR-4524 | 45W/2A DIN-rail 24 VDC power supply with universal 85 to 264 VAC or 120 to 370 VDC input, -10 to 50°C operating temperature |
| DR-75-24 | 75W/3.2A DIN-rail 24 VDC power supply with universal 85 to 264 VAC or 120 to 370 VDC input, -10 to 60°C operating temperature |
| DR-120-24 | 120W/2.5A DIN-rail 24 VDC power supply with universal 88 to 132 VAC or 176 to 264 VAC input by switch, or 248 to 370 VDC input, -10 to 60°C operating temperature |
| MDR-40-24 | DIN-rail 24 VDC power supply with 40W/1.7A, 85 to 264 VAC, or 120 to 370 VDC input, -20 to 70°C operating temperature |
| MDR-60-24 | DIN-rail 24 VDC power supply with 60W/2.5A, 85 to 264 VAC, or 120 to 370 VDC input, -20 to 70°C operating temperature |

Wall-Mounting Kits

| | |
|----------|---|
| WK-46-01 | Wall-mounting kit, 2 plates, 8 screws, 46 x 66.8 x 2 mm |
|----------|---|

Rack-Mounting Kits

| | |
|-------|---------------------------|
| RK-4U | 19-inch rack-mounting kit |
|-------|---------------------------|

© Moxa Inc. 版權所有.2023 年 7 月 10 日更新。

未經 Moxa Inc. 明確書面許可，不得以任何方式複製或使用本文件及其任何部分。產品規格如有變更，恕不另行通知。請至本公司官網了解最新的產品資訊。