

UC-8600A Series

Arm Cortex-A72 dual-core 1.5 GHz 64-bit box computers with rich set of interfaces, -40 to 75°C operating temperature



Features and Benefits

- Arm Cortex-A72 dual-core 1.5 GHz processor
- 4 auto-sensing 10/100/1000 Mbps Ethernet ports
- 8 RS-232/422/485 serial ports
- 2 CAN ports (CAN 2.0A/CAN 2.0B) with 3 kV isolation protection
- M.2 M key SSD slot and Micro SD socket for storage expansion
- Supports cellular and Wi-Fi 6E via an expansion slot
- Moxa Industrial Linux with 10-year superior long-term support
- EN 18031-1 compliant wireless cybersecurity
- Compliance with IEC 62443-4-2 Security Level 2 requirements
- -40 to 75°C operating temperature range (-40 to 70°C with cellular module enabled)

Certifications



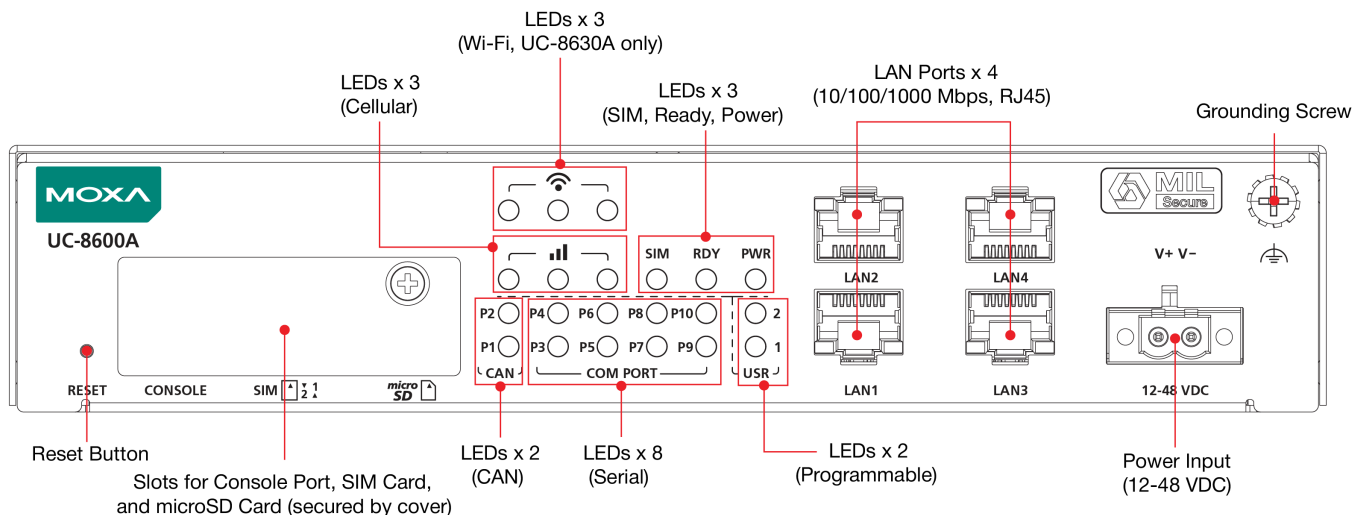
Introduction

The UC-8600A Series Arm-based box-type computing platform is designed for embedded data-acquisition and edge-computing applications.

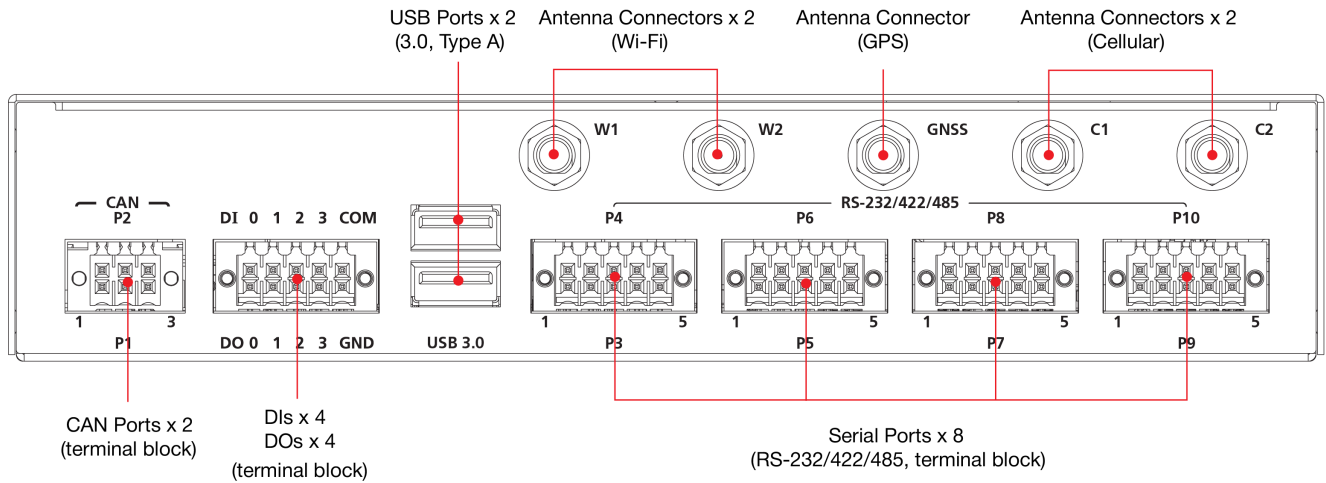
The UC-8600A comes with four 10/100/1000 Ethernet ports, eight RS-232/422/485 serial ports, four DI/DO channels, two CAN ports, enabling robust connectivity for a wide variety of field devices. The UC-8600A also supports storage expansion via an M.2 M key slot for SSD and a Micro SD card slot. In addition, a wireless expansion slot that supports Wi-Fi 6E and cellular modules enables reliable wireless communication for remote applications. The versatile communication and expansion capabilities of the UC-8600A Series facilitates efficient deployment in diverse industrial environments.

Appearance

Front View



Rear View



Specifications

Computer

CPU	Arm Cortex-A72 dual-core 1.5 GHz
DRAM	4 GB LPDDR4 SDRAM
Storage Pre-installed	32 GB eMMC
Storage Slot	microSD sockets x 1 M.2 M-key 2242 sockets x 1, PCIe
Supported OS	Moxa Industrial Linux 4 (Debian 13, kernel 6.12), 2033 EOL See www.moxa.com/MIL

Computer Interface

Ethernet Ports	Auto-sensing 10/100/1000 Mbps ports (RJ45 connector) x 4
Serial Channels	RS-232/422/485 ports x 8 (software-selectable, terminal-block connector)
Digital Input	DIs x 4
Digital Output	DOs x 4
CAN Ports	CAN 2.0 A/B x 2 (3-pin terminal block)
USB 3.0	USB 3.0 hosts x 2, type-A connectors
Expansion Slots	UC-8620A/UC-8630A: mPCIe slots x 1 (for LTE) UC-8630A: M.2 E-key sockets x 1 (for Wi-Fi)
Cellular Antenna Connector	SMA x 2
Number of SIMs	2
SIM Format	Nano
Wi-Fi Antenna Connector	UC-8630A: RP-SMA x 2
GPS Antenna Connector	SMA x 1
Console Port	RS-232 (TxD, RxD, GND), 3-pin header output (115200, n, 8, 1)
Buttons	Programmable button
TPM	TPM v2.0

Ethernet Interface

Magnetic Isolation Protection	1.5 kV (built-in)
-------------------------------	-------------------

Serial Interface

No. of Ports	8
Baudrate	50 bps to 921.6 kbps
Data Bits	5, 6, 7, 8
Stop Bits	1, 1.5, 2
Parity	None, Even, Odd, Space, Mark
Flow Control	RTS/CTS XON/XOFF for RS-232 ADDCC (automatic data direction control) for RS-485

Serial Signals

RS-232	TxD, RxD, RTS, CTS, GND
RS-422	Tx+, Tx-, Rx+, Rx-, GND
RS-485-2w	Data+, Data-, GND
RS-485-4w	Tx+, Tx-, Rx+, Rx-, GND

CAN Interface

No. of Ports	2
Connector	3-pin spring-type terminal block
Baudrate	10 Kbps to 1 Mbps
Industrial Protocols	CAN 2.0A CAN 2.0B
Isolation	3 kV (built-in)
Signals	CAN_H, CAN_L, CAN_GND

Digital Inputs

No. of Channels	4
Connector	Spring-type Euroblock terminal
Sensor Type	Dry contact Wet contact (NPN)
Dry Contact	Logic 0: Close to GND Logic 1: Open
Wet Contact (DI to COM)	Logic 0: 10 to 30 VDC (COM to DI) Logic 1: 0 to 3 VDC
Isolation	1.5 kV

Digital Outputs

No. of Channels	4
Connector	Spring-type Euroblock terminal
Current Rating	200 mA per channel

I/O Type	Sink
Voltage	0 to 30 VDC
Isolation	1.5 kV

Security Functions

Hardware-based Security	TPM 2.0 Hardware Root of Trust Secure Boot
Intrusion Detection	Host-based Intrusion Detection
Security Tools	Security Diagnostic Tool Security Event Auditing Secure Update
Disk Protection	LUKS Disk Encryption
Recovery	One-step recovery to the last known secure state Dual-system design with automatic failback
Reliability	Network Keep Alive Network Failover and Failback

LED Indicators

System	Power x 1 System ready x 1 SIM card indicator x 1 Programmable x 2
LAN	4 ports, 2 per port (10/100/1000 Mbps)
CAN	2 ports, 1 per port (Tx, Rx)
Wireless Signal Strength	Wi-Fi x 3 Cellular x 3

Power Parameters

Input Current	UC-8620A-T: 1.34 A @ 12 V UC-8630A-T: 1.58 A @ 12 V
Input Voltage	12 to 48 VDC
Power Connector	Screw-fastened Euroblock terminal
Power Consumption	UC-8620A-T: 15 W UC-8630A-T: 17 W

Reliability

Automatic Reboot Trigger	External WDT (watchdog timer)
Alert Tools	External RTC (real-time clock)

Physical Characteristics

Housing	Metal
IP Rating	IP30
Weight	1,000 g (2.21 lb)
Dimensions	200 x 120 x 40.5 mm (7.87 x 4.72 x 1.59 in)
Installation	Wall mounting (standard) DIN-rail mounting (with optional kit)

Environmental Limits

Operating Temperature	Without accessories: UC-8620A-T: -40 to 75°C UC-8630A-T: -40 to 70°C With LTE and Wi-Fi -30 to 65°C With Wi-Fi only: -30 to 70°C With LTE only: -40 to 70°C
Storage Temperature	-40 to 85°C (-40 to 185°F)
Ambient Relative Humidity	5 to 95% (non-condensing)

Standards and Certifications

EMC	EN 55032/35 EN 61000-6-2/-6-4 UKCA RCM KC
EMI	FCC Part 15B Class A ICES-003 Class A EN 55032 Class A EN 61000-6-4 Class A
EMS	IEC 61000-4-2 ESD: Contact: 4 kV; Air: 8 kV IEC 61000-4-3 RS: 80 MHz to 1 GHz: 3 V/m IEC 61000-4-4 EFT: Power: 2 kV; Signal: 1 kV IEC 61000-4-5 Surge: Power: 0.5 kV; Signal: 1 kV IEC 61000-4-6 CS: 3 V IEC 61000-4-8 PFMF
Cybersecurity	EN 18031-1
Safety	IEC 62368-1, EN 62368-1, UL 62368-1
Shock	IEC 60068-2-27
Vibration	IEC 60068-2-6 IEC 60068-2-64
International Approval	CE FCC ISED UKCA RCM KC

Declaration

Green Product	RoHS, CRoHS, WEEE
---------------	-------------------

MTBF

Time	UC-8630A-T: 1,023,992 hrs UC-8620A-T: 1,152,015 hrs
Standards	Telcordia (Bellcore), GB

Warranty

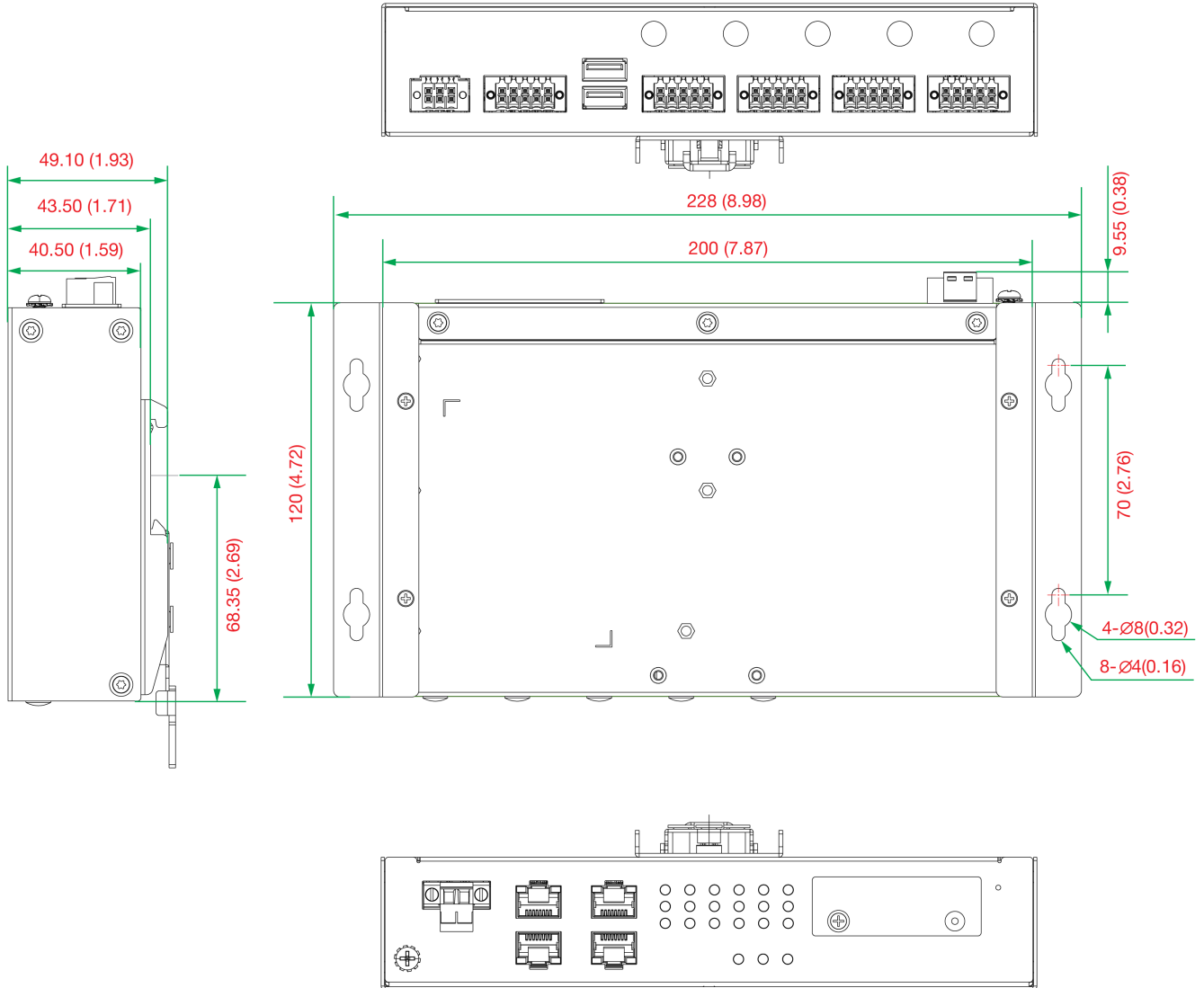
Warranty Period	5 years
Details	See www.moxa.com/warranty

Package Contents

Device	1 x UC-8600A Series computer
Installation Kit	1 x wall-mounting kit
Documentation	1 x quick installation guide 1 x warranty card

Dimensions

Unit: mm (inch)



Ordering Information

Model Name	CPU	Operating System	mPCIe Slot	M.2 E Key Slot	Operating Temp.
UC-8620A-T	Arm Cortex-A72 dual-core 1.5 GHz	MIL4 Standard (default) CTO: Order MIL4 Secure via UC-8600A (CTO)	Reserved for LTE	-	-40 to 75°C
UC-8630A-T	Arm Cortex-A72 dual-core 1.5 GHz	MIL4 Standard (default) CTO: Order MIL4 Secure via UC-8600A (CTO)	Reserved for LTE	Reserved for Wi-Fi 6	-40 to 70°C

Accessories (sold separately)

Antennas

ANT-WDB6-ARM-05	2 dBi at 2.4 GHz or 2 dBi at 5 GHz or 3 dBi at 6 GHz, tri-band dipole antenna with RP-SMA (female) connector
ANT-5G-OSM-04	4 dBi LTE/5G NR dipole antenna with SMA (male) connector
ANT-GPS-CSM-04-3m BK	20 dBi at 1575 to 1605 MHz, SMA (male), right-hand circular polarization (RHCP), active GPS antenna, 3-meter cable

Cables

CBL-F9DPF1x4-BK-100	Console cable with 4-pin connector, 1 m
---------------------	---

Cellular Wireless Modules

UC-8620A-LTE	Telit LE910C4-WWXD LTE Cat. 4 mPCIe card package for the UC-8620A models
UC-8630A-LTE	Telit LE910C4-WWXD LTE Cat. 4 mPCIe card package for the UC-8630A models

Wi-Fi Wireless Modules

UC-8600A-WLAN	EMWICOM WMX7205-1 Wi-Fi 6E M.2 card package for the UC-8600A Series
---------------	---

DIN-Rail Mounting Kits

UC-8600A Din-rail Kit	DIN-rail mounting kit with 1 plate (90 x 45 mm), 1 extension bracket (25 x 16 mm), 5 M3 x 4 mm screws for the UC 8600A Series
-----------------------	---

Thermal Kits

UC-8620A-M.2 SSD	M.2 SSD thermal package with 3 thermal pads, 1 heat sink, 5 screws for the UC-8620A models
UC-8630A-M.2 SSD	M.2 SSD thermal package with 1 thermal pad, 1 screw for the UC-8630A models

© Moxa Inc. All rights reserved. Updated Apr 23, 2026.

This document and any portion thereof may not be reproduced or used in any manner whatsoever without the express written permission of Moxa Inc. Product specifications subject to change without notice. Visit our website for the most up-to-date product information.