

V2201 系列

Intel® Atom® E3800 DIN 軌道電腦，具有 2 個用於無線模組的 mini-PCIe 擴充插槽



特色與優點

- Intel Atom® E3800 系列處理器，提供三種效能選項
- 用於無線模組的雙 mini-PCIe 插槽，支援 Wi-Fi、3G、LTE 和 GPS¹
- -40 至 85°C 系統操作溫度 (安裝 LTE 模組時為 -40 至 70°C)¹
- 各種介面：2 個串列埠，2 個乙太網路 LAN 連接埠，4 個 DI、4 個 DO、SD、USB、HDMI、無線
- EN 61000-6-2 和 EN 61000-6-4 認證²；符合重工業的 EMC 標準
- 高達 5 Grms 的防震保護以及 100 g/11 ms 的抗撞擊保護
- 開機即用的 Debian 9、Windows Embedded Standard 7 以及 Windows 10 Embedded IoT Enterprise 2016 LTSP 平台
- Moxa Proactive Monitoring 支援監控系統硬體狀態
- Moxa Smart Recovery 支援系統啟動故障快速復原 (僅 W7E)

認證



簡介

V2201 系列超輕巧 x86 嵌入式電腦是以 Intel® Atom™ E3800 系列處理器為架構，採用最可靠的 I/O 設計以發揮最大互聯性，並且可支援雙重無線模組，使其適用於各種通訊應用範圍。¹本系列電腦的散熱設計可確保系統能夠於 -40 至 85°C 溫度範圍 (若安裝專用 Moxa 無線模組，則支援 -40 至 70°C) 可靠運作。V2201 系列可支援「Moxa 硬體監控」，可監控裝置的 I/O 狀態並發出警報、監控系統溫度並發出警報，以及管理系統電源。密切監控系統狀態將使系統快速從故障中復原，為您的應用提供最可靠的平台。

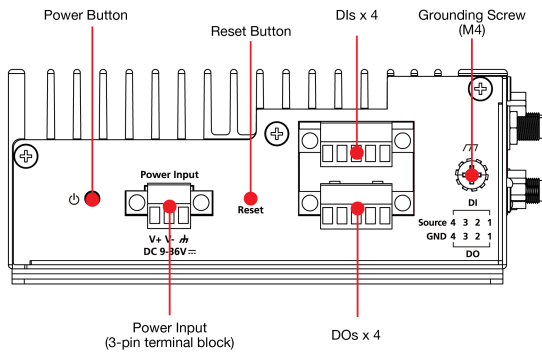
應用

- 遠端終端裝置 (RTU)
- 資料擷取
- M2M 通訊 (智慧閘道)
- 數位看板
- 工廠自動化
- 車載監控/數據記錄器 (交通運輸)
- 可編程路由器
- 能源使用最佳化
- 預測性維護
- 資產管理

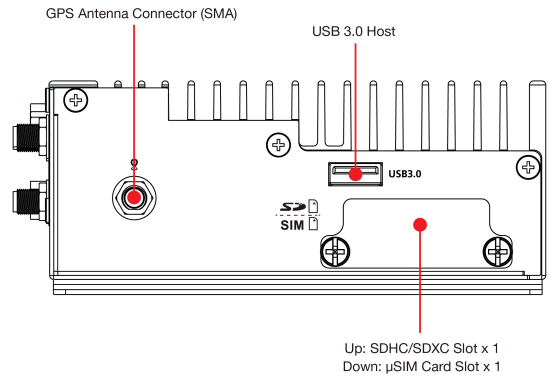
1. 無線模組需另購。
2. 適用交流電/直流電轉接器

外觀

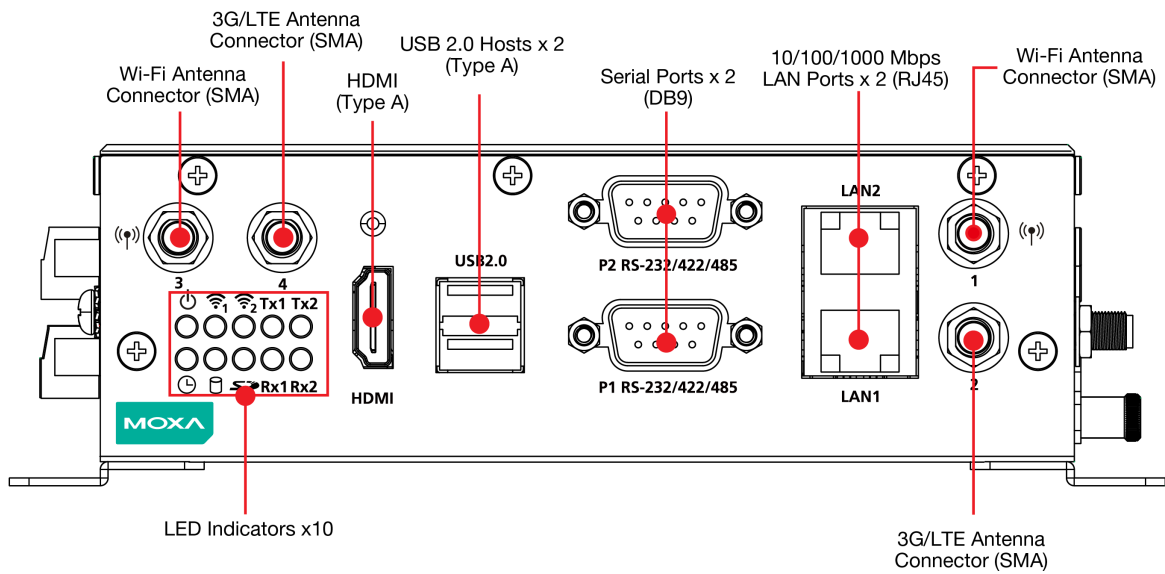
左側視圖



右側視圖



前視圖



規格

Computer

CPU	V2201-E1 Series: Intel Atom® Processor E3815 (Single core, 512 K cache, 1.46 GHz) V2201-E2 Series: Intel Atom® Processor E3826 (Dual core, 1 M cache, 1.46 GHz) V2201-E4 Series: Intel Atom® Processor E3845 (Quad core, 2 M cache, 1.91 GHz)
System Memory Pre-installed	4 GB DDR3L
System Memory Slot	SODIMM DDR3/DDR3L slot x 1

Supported OS	Linux Debian 9 (kernel v4.9) Windows Embedded Standard 7 (WS7E) 32-bit Windows Embedded Standard 7 (WS7E) 64-bit Windows 10 Embedded IoT Ent 2016 LTSC Entry 64-bit
Storage Slot	mSATA slots x 1 SD 3.0 (SDHC/SDXC) socket x 1

Computer Interface

Ethernet Ports	Auto-sensing 10/100/1000 Mbps ports (RJ45 connector) x 2
Serial Ports	RS-232/422/485 ports x 2, software selectable (DB9 male)
USB 2.0	USB 2.0 hosts x 2, type-A connectors
USB 3.0	USB 3.0 hosts x 1, type-A connectors
Digital Input	DIs x 4
Digital Output	DOs x 4
Expansion Slots	mPCIe slot x 2
Video Output	HDMI x 1, HDMI connector (type A)
Wi-Fi Antenna Connector	RP-SMA x 2
Cellular Antenna Connector	SMA x 2
Number of SIMs	1
SIM Format	Mini
GPS Antenna Connector	SMA x 1

Digital Inputs

Isolation	3K VDC
Connector	Screw-fastened Euroblock terminal
Dry Contact	On: short to GND Off: open
I/O Mode	DI
Sensor Type	Dry contact Wet contact (NPN or PNP)
Wet Contact (DI to COM)	On: 10 to 30 VDC Off: 0 to 3 VDC

Digital Outputs

Connector	Screw-fastened Euroblock terminal
Current Rating	200 mA per channel
I/O Type	Sink
Voltage	24 to 30 VDC

LED Indicators

System	SD slots x 1 Power x 1 Storage x 1 Programmable x 1
Wireless Signal Strength	Cellular/Wi-Fi x 2
LAN	1 per port (10/100/1000 Mbps)
Serial	2 per port (Tx, Rx)

Serial Interface

Baudrate	50 bps to 115.2 kbps
Flow Control	RTS/CTS, XON/XOFF, ADDC® (automatic data direction control) for RS-485, RTS Toggle (RS-232 only)
Isolation	N/A
Parity	None, Even, Odd, Space, Mark
Stop Bits	1, 1.5, 2

Serial Signals

RS-232	TxD, RxD, RTS, CTS, DTR, DSR, DCD, GND
RS-422	Tx+, Tx-, Rx+, Rx-, GND
RS-485-2w	Data+, Data-, GND
RS-485-4w	Tx+, Tx-, Rx+, Rx-, GND

Power Parameters

Input Voltage	9 to 36 VDC
Power Connector	Terminal block (for DC models)
Power Consumption (Max.)	2000 mA @ 9 VDC
Power Consumption	18 W (max.)

Physical Characteristics

Housing	Aluminum
IP Rating	IP30
Dimensions (with ears)	178 x 52.5 x 120.2 mm (7.01 x 2.07 x 4.73 in)
Dimensions (without ears)	150 x 48.8 x 120.2 mm (5.91 x 1.92 x 4.73 in)
Weight	940 g (2.09 lb)
Installation	DIN-rail mounting, Wall mounting (with optional kit)

Environmental Limits

Operating Temperature	E1/E2 Models: -40 to 85°C (-40 to 185°F) E4 Models: -40 to 70°C (-40 to 158°F)
Storage Temperature (package included)	-40 to 85°C (-40 to 185°F)
Ambient Relative Humidity	5 to 95% (non-condensing)

Standards and Certifications

EMC	EN 55032/24, EN 61000-6-2/-6-4
EMI	CISPR 32, FCC Part 15B Class A
EMS	IEC 61000-4-2 ESD: Contact: 6 kV; Air: 8 kV IEC 61000-4-3 RS: 80 MHz to 1 GHz: 20 V/m IEC 61000-4-4 EFT: Power: 2 kV; Signal: 2 kV IEC 61000-4-5 Surge: Power: 2 kV; Signal: 1 kV IEC 61000-4-6 CS: 10 V IEC 61000-4-8 PFMF
Safety	EN 60950-1, UL 508, UL 60950-1
Shock	IEC 60068-2-27
Vibration	IEC 60068-2-64

Declaration

Green Product	RoHS, CRoHS, WEEE
---------------	-------------------

MTBF

Time	408,275 hrs
Standards	Telcordia (Bellcore), GB

Warranty

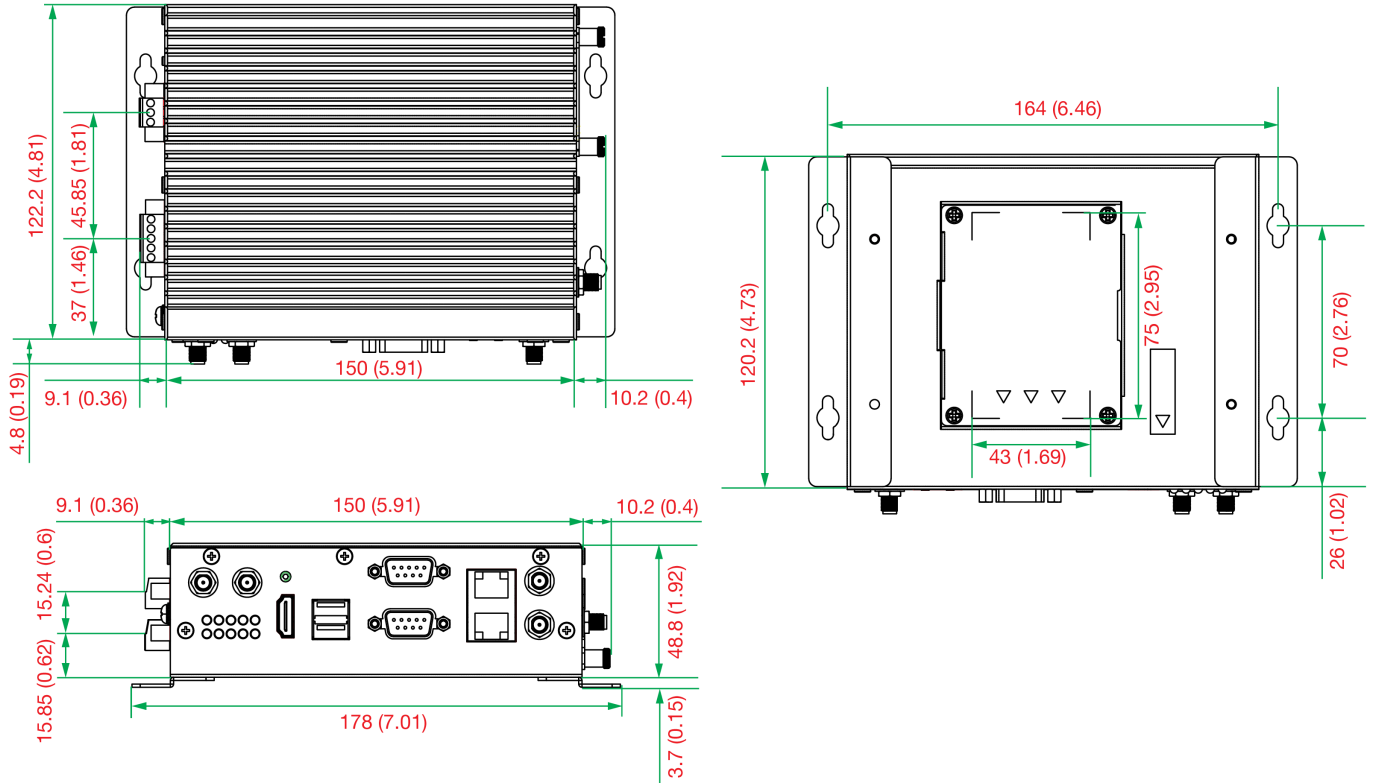
Warranty Period	3 years
Details	See www.moxa.com/tw/warranty

Package Contents

Device	1 x V2201 Series computer
Installation Kit	Wall-mounting kit (all models except V2201-E4-W-T-LX) DIN-rail mounting kit (V2201-E4-W-T-LX)
Cable	1 x terminal block to power jack converter
Documentation	1 x quick installation guide 1 x warranty card

尺寸

單位：公釐（英吋）



訂購資訊

Model Name	CPU	Memory (Default)	mSATA (Default)	SD Card Slots	USIM Slot	Antenna Connectors	Operating Temp.
V2201-E1-T	Intel Atom® E3815	4 GB	8 GB	1 (Optional)	1	-	-40 to 85°C
V2201-E2-T	Intel Atom® E3826	4 GB	8 GB	1 (Optional)	1	-	-40 to 85°C
V2201-E4-T	Intel Atom® E3845	4 GB	8 GB	1 (Optional)	1	-	-40 to 70°C
V2201-E1-W-T	Intel Atom® E3815	4 GB	8 GB	1 (Optional)	1	5	-40 to 85°C
V2201-E2-W-T	Intel Atom® E3826	4 GB	8 GB	1 (Optional)	1	5	-40 to 85°C
V2201-E4-W-T	Intel Atom® E3845	4 GB	8 GB	1 (Optional)	1	5	-40 to 70°C
V2201-E1-T-LX	Intel Atom® E3815	2 GB	8 GB	1 (Optional)	1	-	-40 to 85°C
V2201-E1-T-W7E	Intel Atom® E3815	4 GB	8 GB	1 (Optional)	1	-	-40 to 85°C
V2201-E4-W-T-LX	Intel Atom® E3845	4 GB	32 GB	16 GB	1	5	-40 to 70°C

配件 (選購)

Power Adapters

PWR-24270-DT-S1	Power adapter, input voltage 90 to 264 VAC, output voltage 24 V with 2.5 A DC load
-----------------	--

Power Cords

PWC-C7AU-2B-183	Power cord with Australian (AU) plug, 2.5A/250V, 1.83 m
PWC-C7CN-2B-183	Power cord with three-prong China (CN) plug, 2.5A/250V, 1.83 m
PWC-C7EU-2B-183	Power cord with Continental Europe (EU) plug, 2.5A/250V, 1.83 m
PWC-C7UK-2B-183	Power cord with United Kingdom (UK) plug, 2.5A/250V, 1.83 m
PWC-C7US-2B-183	Power cord with United States (US) plug, 10A/125V, 1.83 m

Antennas

ANT-WDB-ARM-02	2.4/5 GHz, omni-directional rubber duck antenna, 2 dBi, RP-SMA (male)
----------------	---

Wi-Fi Wireless Modules

V2201 Wi-Fi mini card	SparkLAN WPEA-252NI Wi-Fi mini cards x1, black screws x 4
-----------------------	---

DIN-Rail Mounting Kits

DK-DC50131	DIN-rail mounting kit
------------	-----------------------

© Moxa Inc. 版權所有.2021 年 1 月 11 日更新。

未經 Moxa Inc. 明確書面許可，不得以任何方式複製或使用本文件及其任何部分。產品規格如有變更，恕不另行通知。請至本公司官網了解最新的產品資訊。