

AIG-301シリーズ

Arm® Cortex™-A7デュアルコア1 GHzプロセッサ、Azure IoT Edgeソフトウェア搭載2ポートのModbus to Azureの高度なIIoTゲートウェイ



機能と特長

- 汎用MQTTクライアントをサポート
- 内蔵デバイスSDKでAzure/AWSクラウドに対するMQTT接続をサポート
- Modbus RTU/ASCII/TCPマスタ/クライアントをサポート
- Azure IoT Edgeをサポート
- ThingsPro Proxyユーティリティで容易なデバイスプロビジョニングをサポート
- 堅牢なOTA機能を提供し、これによりソフトウェアのアップグレード中のシステム障害を防止
- セキュアブート機能を搭載し、これにより悪意のあるソフトウェアインジェクション攻撃を防止
- 動作温度範囲-40~70°C
- LTE Cat.4 US、EU、およびAPACモデルを提供

認証

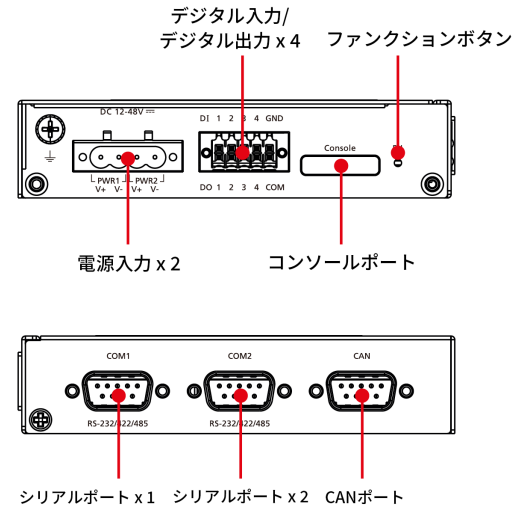
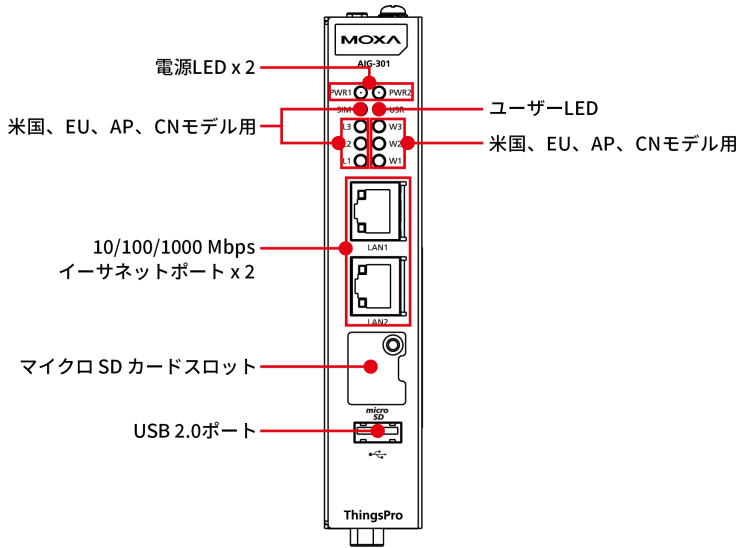


製品紹介

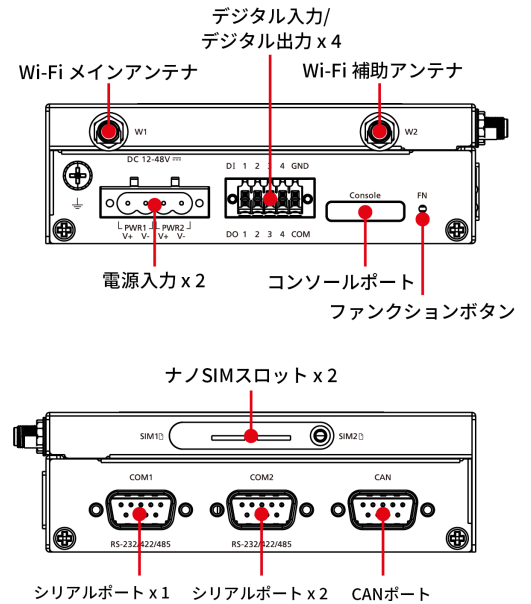
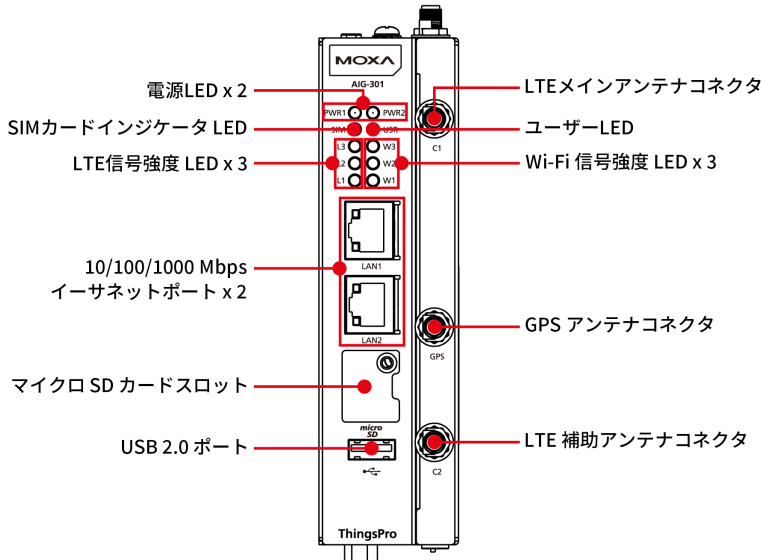
AIG-301シリーズの高度なIIoTゲートウェイは、過酷な動作環境にある分散した現場や無人の現場をはじめとする産業用IoTアプリケーション向けに設計されています。このゲートウェイはModbus RTU/TCPマスタ/クライアントプロトコルを実装し、Modbusデバイスからデータを容易に収集できます。さらに、Azure IoT Edgeソフトウェアが事前にロードされ、AIG-301とシームレスに統合されているため、Azure Cloudソリューションを使用したデータ収集とデバイス管理に向けて、信頼性が高く安全かつ容易なセンサーからクラウドへの接続を実現可能です。ThingsPro Proxyユーティリティを使用することにより、デバイスのプロビジョニングプロセスはかつてないほど容易になります。堅牢なOTA機能により、ソフトウェアアップグレード中のシステム障害の発生の心配する必要がありません。セキュアブート機能を有効にすることにより、特にブートアッププロセス時の悪意のあるソフトウェアインジェクション攻撃を防止できます。

外観

AIG-301-T-AZU-LX



AIG-301 US、EU、AP、およびCNのモデル



仕様

Computer

CPU	Armv7 Cortex-A7 dual-core 1 GHz
DRAM	2 GB DDR3L
Storage Pre-installed	16 GB eMMC
Pre-installed OS	Moxa Industrial Linux (Debian 9, Kernel 4.4)
No. of Tags Supported	2048

Computer Interface

TPM	TPM v2.0
USB 2.0	USB 2.0 hosts x 1, type-A connectors
Wi-Fi Antenna Connector	RP-SMA x 2

	(excluding AIG-301-AZU-LX/T-AZU-LX models)
Cellular Antenna Connector	SMA x 2 (excluding AIG-301-AZU-LX/T-AZU-LX models)
GPS Antenna Connector	SMA x 1 (excluding AIG-301-AZU-LX/T-AZU-LX models)
Expansion Slots	AIG-301-CN-AZU-LX/T-CN-AZU-LX: mPCIe slot x 2 All Other Models: mPCIe slot x 1
Buttons	Reset button Reset to factory default
Digital Input	DIs x 4
Digital Output	DOs x 4
Number of SIMs	2
SIM Format	Nano (excluding AIG-301-AZU-LX/T-AZU-LX models)

Ethernet Interface

Magnetic Isolation Protection	1.5 kV (built-in)
10/100/1000BaseT(X) Ports (RJ45 connector)	2

Ethernet Software Features

Industrial Protocols	Modbus TCP Client (Master) Generic MQTT Azure IoT Device AWS IoT Core Azure IoT Edge OPC UA Server Sparkplug B Client
Configuration Options	Web Console (HTTP/HTTPS) ThingsPro Proxy Utility
Time Management	NTP Server/Client GPS

Serial Interface

Console Port	1 x 4-pin header
No. of Ports	2
Connector	DB9 male
Baudrate	300 bps to 921.6 kbps
Data Bits	7, 8
Flow Control	ADDC (automatic data direction control) for RS-485, RTS/CTS, XON/XOFF
Parity	None, Even, Odd, Space, Mark
Stop Bits	1, 2

Serial Signals

RS-232	TxD, RxD, RTS, CTS, DTR, DSR, DCD, GND
RS-422	Tx+, Tx-, Rx+, Rx-, GND

RS-485-2w	Data+, Data-, GND
RS-485-4w	Tx+, Tx-, Rx+, Rx-, GND

Serial Software Features

Industrial Protocols	Modbus RTU/ASCII Master
----------------------	-------------------------

CAN Interface

No. of Ports	1
Connector	DB9 male
Baudrate	10 to 1000 kbps
Industrial Protocols	CAN 2.0A CAN 2.0B
Signals	CAN_H, CAN_L, CAN_GND, CAN_SHLD, CAN_V+, GND
Isolation	2 kV (built-in)

Digital Inputs

Connector	Spring-type Euroblock terminal
Sensor Type	Wet contact (NPN) Dry contact
Dry Contact	Off: open On: short to GND
Wet Contact (DI to COM)	On: 10 to 30 VDC Off: 0 to 3 VDC
Isolation	3K VDC

Digital Outputs

Connector	Spring-type Euroblock terminal
Current Rating	200 mA per channel
I/O Type	Sink
Voltage	24 VDC nominal, open collector to 30 VDC

Cellular Interface

Cellular Standards	LTE Cat. 4
Band Options (US)	LTE Band 2 (1900 MHz) / LTE Band 4 (1700 MHz) / LTE Band 5 (850 MHz) / LTE Band 13 (700 MHz) / LTE Band 17 (700 MHz) UMTS/HSPA 850 MHz / 1900 MHz Carrier Approval: Verizon, AT&T
Band Options (EU)	LTE Band 1 (2100 MHz) / LTE Band 3 (1800 MHz) / LTE Band 5 (850 MHz) / LTE Band 7 (2600 MHz) / LTE Band 8 (900 MHz) / LTE Band 20 (800 MHz) UMTS/HSPA 850 MHz / 900 MHz / 1900 MHz / 2100 MHz
Band Option (APAC)	LTE Band 1 (2100 MHz) / LTE Band 3 (1800 MHz) / LTE Band 5 (850 MHz) / LTE Band 7 (2600 MHz) / LTE Band 8 (900 MHz) / LTE Band 28 (700 MHz) UMTS/HSPA 850 MHz / 900 MHz / 1900 MHz / 2100 MHz

GPS Interface

Receiver Types	GPS/GLONASS/Galileo State-of-the-art GNSS solution
Accuracy	Position: 2.0 m @CEP50
Acquisition	Aided starts: 1.1 sec Cold starts: 29.94 sec
Sensitivity	Cold starts: -145 dBm Tracking: -160 dBm
Time Pulse	0.25 Hz to 10 MHz

LED Indicators

System	Power x 2 User x 1 SIM card indicator x 1
LAN	2 per port (10/100/1000 Mbps)
Wireless Signal Strength	Cellular/Wi-Fi x 6

Azure IoT Edge

Versions Supported	v1.4.10
Authentication Methods	Manual / Connection String DPS / TPM DPS / Symmetric Encryption DPS / X.509 Certificate
Azure Direct Methods	Reboot Software Upgrade Remote API Invocation
Azure Module Twin	Device Configuration
Moxa Functions	Custom Payload Message Group

Sparkplug B Client

Versions Supported	v2.2
Node Commands (NCMD)	Next Broker Reboot Rebirth
Moxa Functions	Store and Forward Custom Payload

OPC UA Server

No. of Client Connections	10
Security	Sign and encrypt with policies Basic128Rsa15, Basic256, and Basic256Sha256
User Authentication and Authorization	Username/password
Supported Profiles	OPC UA v1.02
No. of Supported Tags	1024

Generic MQTT Client

Versions Supported	v3.1.1 v3.1
QoS Levels	0, 1, 2
Authentication Methods	Username and password
Secure Transmission	TLS 1.0 TLS 1.1 TLS 1.2
Native Capabilities	Keep Alive Retain Message Clean Session Will and Testament
Moxa Functions	Store and Forward Custom Payload Remote API Invocation

Azure IoT Device

Connection Protocols Supported	MQTT MQTT over WebSockets AMQP AMQP over WebSockets
Authentication Methods	Symmetric Key X.509 Certificate
Azure Direct Methods	Reboot Software Upgrade Remote API Invocation

AWS IoT Core

QoS Levels	0,1
Authentication Methods	X.509 Certificate Private Key Trusted Root CA
Native Capabilities	Keep Alive
Moxa Functions	Store and Forward Custom Payload
Commands Invokable Via Jobs	Reboot Software Upgrade Remote API Invocation

Modbus RTU/ASCII

Mode	Master
Functions Supported	1, 2, 3, 4, 5, 6, 15, 16, 23
Max. No. of Commands	256 per port
Max. No of Connected Devices	62

Modbus TCP

Mode	Client (Master)
Functions Supported	1, 2, 3, 4, 5, 6, 15, 16, 23

Max. No. of Server Connections	64
Max. No. of Commands	2048
Power Parameters	
No. of Power Inputs	Redundant dual inputs
Input Voltage	12 to 48 VDC
Power Connector	4-pin terminal block
Power Consumption	AIG-301-AZU-LX/T-AZU-LX: 4.8 W AIG-301-CN-AZU-LX/T-CN-AZU-LX: 6.0 W All Other Models: 8.4 W
Input Current	AIG-301-AZU-LX/T-AZU-LX: 0.4 A @ 12 VDC AIG-301-CN-AZU-LX/T-CN-AZU-LX: 0.5 A @ 12 VDC All Other Models: 0.7 A @ 12 VDC
Reliability	
Automatic Reboot Trigger	External WDT (watchdog timer)
Physical Characteristics	
Housing	Metal SECC
Installation	DIN-rail mounting Wall mounting (with optional kit)
IP Rating	IP30
Weight	AIG-301-AZU-LX/T-AZU-LX: 560 g (1.23 lb) AIG-301-CN-AZU-LX/T-CN-AZU-LX: 745 g (1.64 lb) All Other Models: 750 g (1.65 lb)
Dimensions	AIG-301-AZU-LX/T-AZU-LX: 141.5 x 120 x 27 mm (5.7 x 4.72 x 1.06 in) All Other Models: 141.5 x 120 x 39 mm (5.7 x 4.72 x 1.54 in)
Environmental Limits	
Operating Temperature	Standard Temp. Models: AIG-301-US-AZU-LX, AIG-301-EU-AZU-LX, AIG-301-APAZULX, AIG-301-CN-AZU-LX: -20 to 70°C (-4 to 158°F) AIG-301-AZU-LX: -20 to 85°C (-4 to 185°F) Wide Temp. Models: AIG-301-T-US-AZU-LX, AIG-301-T-EU-AZU-LX, AIG-301-T-APAZU-LX, AIG-301-T-CN-AZU-LX: -40 to 70°C (-40 to 158°F) AIG-301-T-AZU-LX: -40 to 85°C (-40 to 185°F)
Storage Temperature (package included)	-40 to 85°C (-40 to 185°F)
Ambient Relative Humidity	5 to 95% (non-condensing)
Shock	IEC 60068-2-27
Vibration	2 Grms @ IEC 60068-2-64, random wave, 5 to 500 Hz, 1 hr per axis (without USB devices attached)
Standards and Certifications	
EMC	EN 55032/35
EMI	CISPR 32, FCC Part 15B Class A
EMS	IEC 61000-4-2 ESD: Contact: 4 kV; Air: 8 kV IEC 61000-4-3 RS: 80 MHz to 1 GHz: 10 V/m IEC 61000-4-4 EFT: Power: 2 kV; Signal: 1 kV IEC 61000-4-5 Surge: Power: 1 kV; Signal: 1 kV

	IEC 61000-4-6 CS: 10 V IEC 61000-4-8 PFMF
Safety	UL 62368-1 EN 62368-1
Carrier Approvals	AT&T Verizon NCC
Green Product	RoHS, CRoHS, WEEE
Hazardous Locations	Class I Division 2, ATEX

MTBF

Time	AIG-301-AZU-LX/T-AZU-LX: 794,092 hrs AIG-301-US-AZU-LX/T-US-AZU-LX, AIG-301-EU-AZU-LX/T-EU-AZU-LX, AIG-301-AP-AZU-LX/T-AP-AZU-LX: 683,818 hrs
Standards	Telcordia (Bellcore) Standard TR/SR

Warranty

Warranty Period	5 years
Details	See www.moxa.com/jp/warranty

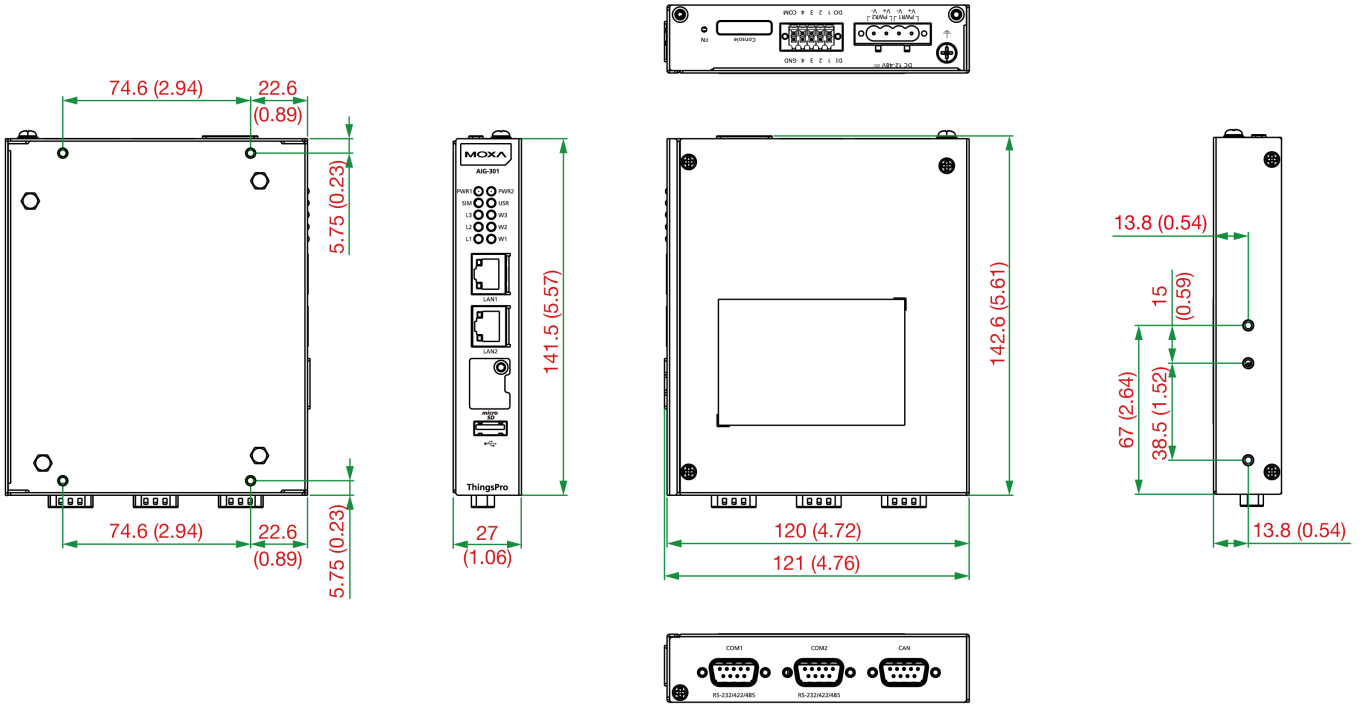
Package Contents

Device	1 x AIG-301 Series
Cable	1 x terminal block to power jack converter
Installation Kit	1 x DIN-rail kit
Documentation	1 x quick installation guide 1 x warranty card

寸法

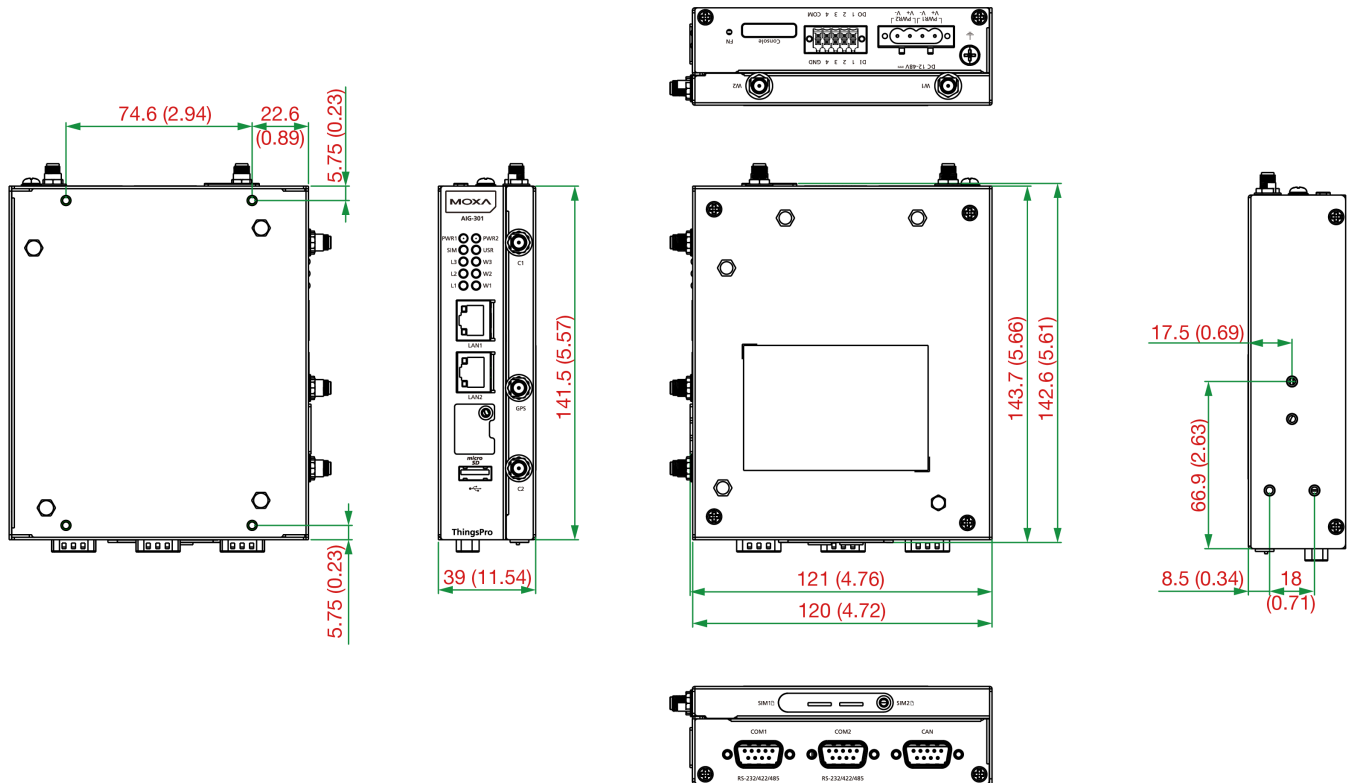
AIG-301-T-AZU-LX

単位：mm (インチ)



AIG-301 US, EU, AP, and CN Models

単位：mm (インチ)



注文情報

Model Name	mPCIe Slot 1 for LTE Module	mPCIe Slot 2 for Wi-Fi Module	Operating Temperature
AIG-301-AZU-LX	-	-	-20 to 85°C
AIG-301-T-AZU-LX	-	-	-40 to 85°C
AIG-301-CN-AZU-LX	Reserved	Reserved	-20 to 70°C
AIG-301-T-CN-AZU-LX	Reserved	Reserved	-40 to 70°C
AIG-301-US-AZU-LX	US region LTE module preinstalled	Reserved	-20 to 70°C
AIG-301-T-US-AZU-LX	US region LTE module preinstalled	Reserved	-40 to 70°C
AIG-301-EU-AZU-LX	Europe region LTE module preinstalled	Reserved	-20 to 70°C
AIG-301-T-EU-AZU-LX	Europe region LTE module preinstalled	Reserved	-40 to 70°C
AIG-301-AP-AZU-LX	APAC region LTE module preinstalled	Reserved	-20 to 70°C
AIG-301-T-AP-AZU-LX	APAC region LTE module preinstalled	Reserved	-40 to 70°C

アクセサリ（別売）

Power Wiring

CBL-PJTB-10	Non-locking barrel plug to bare-wire cable
Mini DB9F-to-TB	DB9 female to terminal block connector

Cables

CBL-F9DPF1x4-BK-100	Console cable with 4-pin connector, 1 m
---------------------	---

Wi-Fi Wireless Modules

UC-8200-WLAN22-AC	Wireless package for UC-8200 V2.0 or later with Wi-Fi module, 2 screws, 2 spacers, 1 heat sink, 1 pad
-------------------	---

Antennas

ANT-LTEUS-ASM-01	GSM/GPRS/EDGE/UMTS/HSPA/LTE, 1 dBi, omnidirectional rubber-duck antenna
ANT-LTE-ASM-04 BK	704 to 960/1710 to 2620 MHz, LTE omnidirectional stick antenna, 4.5 dBi
ANT-LTE-OSM-03-3m BK	700-2700 MHz, multiband antenna, specifically designed for 2G, 3G, and 4G applications, 3 m cable
ANT-LTE-ASM-05 BK	704-960/1710-2620 MHz, LTE stick antenna, 5 dBi
ANT-LTE-OSM-06-3m BK MIMO	Multiband antenna with screw-fastened mounting option for 700-2700/2400-2500/5150-5850 MHz frequencies
ANT-WDB-ARM-0202	2 dBi at 2.4 GHz or 2 dBi at 5 GHz, RP-SMA (male), dual-band, omnidirectional antenna
ANT-GPS-CSM-03-3m	3 dBi at 1575.42 MHz, SMA (male), directional passive GPS antenna, 3 m cable
ANT-GPS-OSM-05-3M	26 dBi at 1575.42 MHz, SMA (male), omnidirectional active GPS antenna, 3 m cable

Wall-Mounting Kits

UC-8200 Wall-mounting Kit	Wall-mounting kit for UC-8200 with 4 M3 screws
---------------------------	--

© Moxa Inc. All rights reserved. 2023年5月4日更新。

Moxa Inc.の明白な許可を書面で取得しない限り、本書およびその一部の複製や使用はいかなる方法やいかなる場合でも許可されません。製品の仕様は予告なく変更されることがあります。最新の製品情報については当社のWebサイトをご覧ください。