



RNAS-1200 Series Quick Installation Guide

Third Edition, January 2014

Overview

Moxa RNAS-1200 Series is a network attached storage (NAS) appliance designed to provide high performance, high reliability and high capacity for video surveillance or other mobile, high-capacity storage applications facing harsh environments.

The RNAS-1200 Series comes with an Intelligent Heating Solution (IHS) to ensure reliable operations under super low temperatures. Data XPro also helps protect data in high temperature and high vibration environments, while the fast synchronizations developed for the RAID 1 architecture adapt this often fragile drive architecture to serve as a critical component in a fully redundant, extremely rugged data repository.

Package Checklist

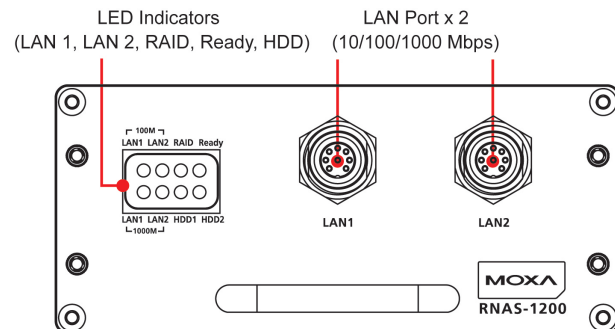
Before installing the computers, verify that the package contains the following items:

- 1 RNAS-1200 computer
- Wall mounting kit
- Documentation and CD
- Quick installation guide (printed)
- Warranty card

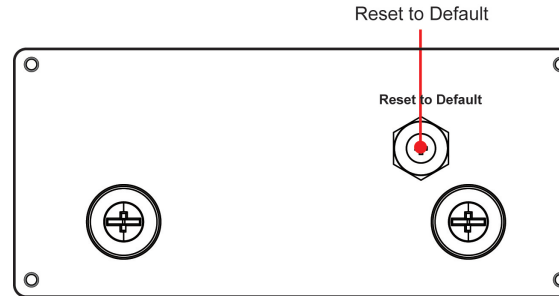
NOTE: Please notify your sales representative if any of the above items are missing or damaged.

RNAS-1200 Panel Layout

Front View



Rear View



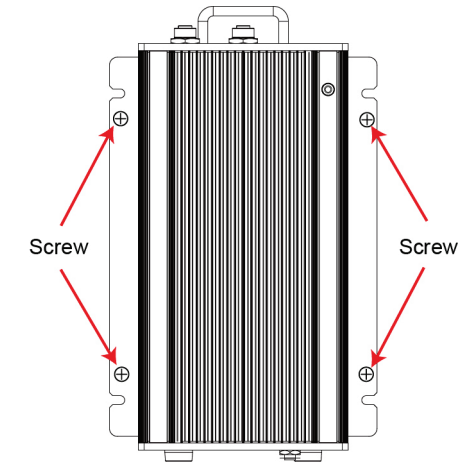
LED Indicators

The following table describes the LED indicators located on the front panel of the RNAS-1200.

LED Name	LED Color/Status	LED Function
Ready	Green	Power is on and functioning normally
	On 1 sec Off 1 sec	Resetting to default
	On 5 sec Off 5 sec.	IHS pre-heating
	Off	Power error, or off
RAID	Red	RAID recovery fails
	On 1 sec Off 0.5 sec	RAID disk is recovering
	On 5 sec Off 1 sec	HDD1 fails
	On 10 sec Off 1 sec	HDD 2 fails
	On 15 sec Off 1 sec	HDD 1 and HDD2 fail
	On 1 sec Off 5 sec	HDD overheated; no power
Off	RAID recovery complete, or no activity	
LAN (1, 2)	Green	100 Mbps Ethernet mode
	Yellow	1000 Mbps Ethernet mode
	Off	No Ethernet activity
HDD1	Yellow	Drive 1 is writing/reading data
	Off	No activity
HDD2	Yellow	HDD2 is writing/reading data
	Off	No activity

Installing the RNAS-1200

The RNAS-1200 comes with two wall-mounting brackets. Use two screws on each side to attach the RNAS-1200 to a wall or cabinet.



The RNAS-1200 also comes with the optional rack installation kit. Simply slide the RNAS-1200 into the rack mounting bracket to complete the installation. Refer to the User's Manual for a more detailed installation procedure.

Connector Description

Ethernet Ports

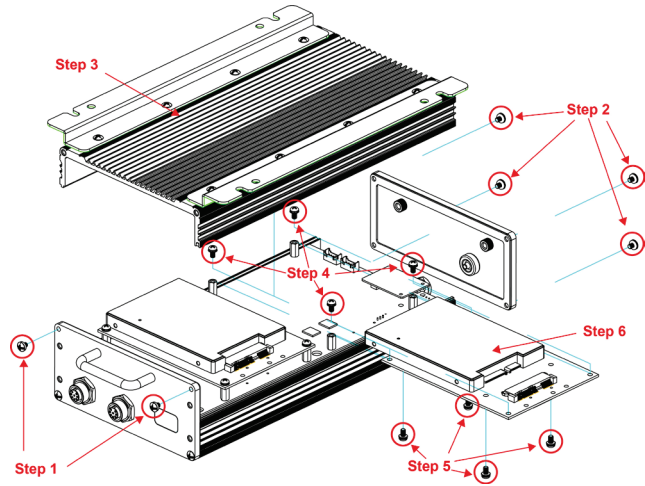
Two 10/100/1000 Mbps Ethernet ports using M12 connectors are located on the front panel. The pin assignments are shown in the picture to the right, and the table below.



No.	10/100 Mbps	1000 MBps
1	-	TRD3+
2	-	TRD4+
3	-	TRD4-
4	ERx-	TRD1-
5	ETx+	TRD2+
6	ERx+	TRD1+
7	-	TRD3-
8	ETx-	TRD2-

Hard Disk Drive

The RNAS-1201 model comes with 2 SATA connectors that can install 2 SATA disks, and RNAS-1211-T model has been pre-installed with 2 100 GB hard disks. Users may manually install or replace these disks. Refer to the following figure and descriptions on how to install or replace the hard disks.



- Step 1:** Remove the two screws on the front panel.
- Step 2:** Remove the four screws on the rear panel.
- Step 3:** Remove the top cover of the RNAS-1200.
- Step 4:** Remove the four screws on the drive tray.
- Step 5:** If a drive has already been installed, remove the four screws on the back of the drive tray to free it.

Install the new drive and secure the enclosure by reversing this procedure.

The same procedure is used to install or replace the 2nd drive.

Reset to Default

To depress the **Reset to Default** button on the rear panel, use a screwdriver to depress the button and hold it for five seconds. The system will then reset all software settings to the factory defaults.

Real-time Clock

The RNAS-1200's real-time clock is powered by a lithium battery. We strongly recommend that you do not replace the lithium battery without help from a qualified Moxa support engineer. If you need to change the battery, contact the Moxa RMA service team.



WARNING

There is a risk of explosion if the battery is replaced with a new battery of incorrect specifications.

Powering the RNAS-1200

To power on the RNAS-1200, simply connect it to any Ethernet switch that supports PoE or PoE+. Once the system is fully powered and initialized, the **Ready** LED will light up.

Configuring the Ethernet Interface

Power up the RNAS-1200 computer and verify that the power source is ready. Once the operating system boots up, the first step is to configure the Ethernet interface. The factory default IP settings are show below:

	Default IP Address	Netmask
LAN1	192.168.3.127	255.255.255.0
LAN2	192.168.4.127	255.255.255.0

NOTE Refer to the User's Manual for additional configuration information.

You may use a web browser to access the RNAS-1200's configuration wizard. Simply connect to the RNAS-1200 over a LAN port using the default IP address, open a browser, and enter the following information when prompted:

Login: Admin
Password: Admin

To go directly to the RNAS-1200's IP configuration, click on the **Network** tab on the main toolbar. There, you may set the Ethernet interfaces for static or DHCP addressing. To set up a static IP address, simply disable DHCP and enter the IP address, subnet mask and gateway information in the specified fields. If two different gateways are configured, it will be necessary to select which LAN port will serve as the default gateway. Finally, enter DNS information in the bottom section of the page. When finished, click **Apply** to complete.

The networking configuration interface is shown on the following page of this installation guide, with the main IP addressing parameters highlighted.

MOXA® www.moxa.com/support

The Americas: +1-714-528-6777 (toll-free: 1-888-669-2872)
Europe: +49-89-3 70 03 99-0
Asia-Pacific: +886-2-8919-1230
China: +86-21-5258-9955 (toll-free: 800-820-5036)

© 2012 Moxa Inc., All Rights Reserved